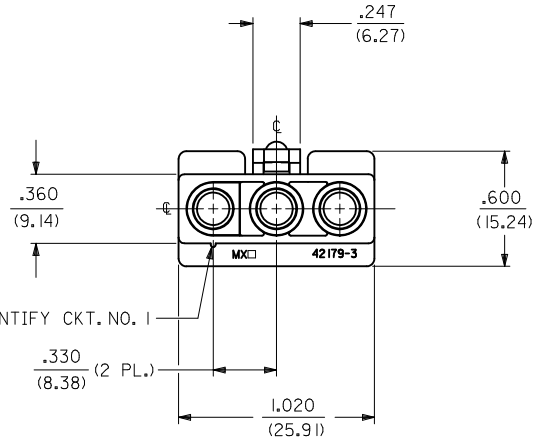


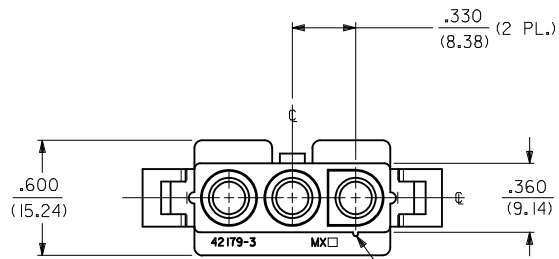
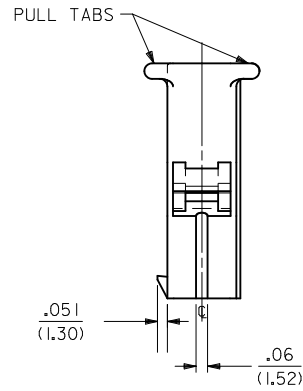
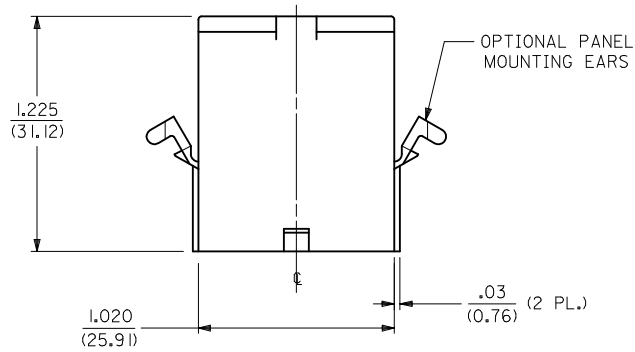
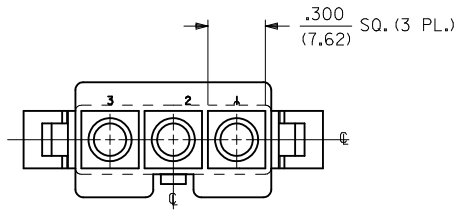
RECEPTACLE



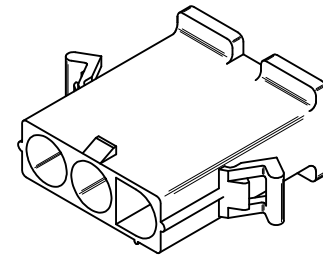
RIB TO IDENTIFY CKT. NO. 1

F	3	H
E	2	H
F	1	H

REVISE DIMENSION EC NO: UCP2011-3247 DRWN: AELHAG 2011/04/20 CHKD: JBELL 2011/04/20 APPR: FSMITH 2011/05/02	QUALITY SYMBOLS ▽=0 ▽=0 ▽=0	GENERAL TOLERANCES (UNLESS SPECIFIED)		DIMENSION STYLE IN/MM	SCALE 2:1	DESIGN UNITS INCH	THIRD ANGLE PROJECTION
		4 PLACES ± --- ± ---	3 PLACES ± --- ± .007	2 PLACES ± 0.18 ± .010	1 PLACE ± 0.25 ± ---	ANGULAR ± 1/2°	DRAWN BY DATE AELHAG 2011/04/20
DRAFT WHERE APPLICABLE MUST REMAIN WITHIN DIMENSIONS		SEE CHART		MATERIAL NO. DOCUMENT NO.		TITLE .125/(3.17) HOUSING, PLUG AND RECEPTACLE, 3 CKT .330/(8.38) CTR	
MATERIAL NO. DOCUMENT NO.		SIZE C		APPROVED BY DATE JBELL 2011/04/20		MOLEX INCORPORATED	
MATERIAL NO. DOCUMENT NO.		MATERIAL NO. DOCUMENT NO.		MATERIAL NO. DOCUMENT NO.		SHEET NO. 1 OF 3	
THIS DRAWING CONTAINS INFORMATION THAT IS PROPRIETARY TO MOLEX INCORPORATED AND SHOULD NOT BE USED WITHOUT WRITTEN PERMISSION							



RIB TO IDENTIFY CKT. NO. 1



PLUG

UPDATE TITLE BLOCK EC NO: UCP2011-3247 DRWN: AELHAG CHKD: JBELL APPR: FSMITH	2011/04/20 2011/04/20 2011/05/02	QUALITY SYMBOLS ▽=0 ▽=0 ▽=0	GENERAL TOLERANCES (UNLESS SPECIFIED) <table border="1"> <thead> <tr> <th></th> <th>mm</th> <th>INCH</th> </tr> </thead> <tbody> <tr> <td>4 PLACES ±</td> <td>---</td> <td>---</td> </tr> <tr> <td>3 PLACES ±</td> <td>---</td> <td>±.007</td> </tr> <tr> <td>2 PLACES ±</td> <td>0.18</td> <td>±.010</td> </tr> <tr> <td>1 PLACE ±</td> <td>0.25</td> <td>---</td> </tr> </tbody> </table>		mm	INCH	4 PLACES ±	---	---	3 PLACES ±	---	±.007	2 PLACES ±	0.18	±.010	1 PLACE ±	0.25	---	DIMENSION STYLE IN/MM	SCALE 2:1	DESIGN UNITS INCH	THIRD ANGLE PROJECTION
		mm	INCH																			
	4 PLACES ±	---	---																			
	3 PLACES ±	---	±.007																			
2 PLACES ±	0.18	±.010																				
1 PLACE ±	0.25	---																				
DRAWN BY AELHAG	DATE 2011/04/20	CHECKED BY JBELL	DATE 2011/04/20	TITLE .125 HOUSING, PLUG AND RECEPTACLE, 3 CIRCUIT, .330 CENTERS																		
APPROVED BY [Signature]				MATERIAL NO. SEE CHART																		
DRAFT WHERE APPLICABLE MUST REMAIN WITHIN DIMENSIONS				MOLEX INCORPORATED		SHEET NO. 2 OF 3																

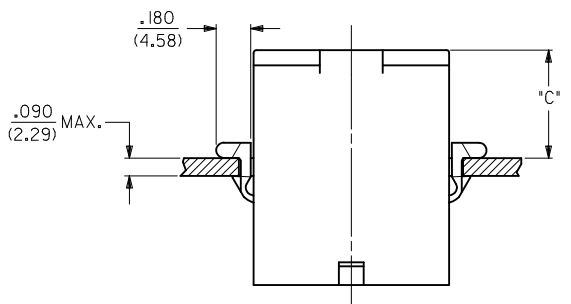
PLUG		RECEPTACLE	
PART NO.	ENG. NO.	PART NO.	ENG. NO.
03-12-2036	42179-3PI	03-12-1036	42179-3RI
03-12-2035	42179-3P	50-29-1608	42179-3RI-B

LEGEND:
42179-3***-*

CIRCUIT SIZE: _____
HOUSING TYPE: _____
P = PLUG
R = RECEPTACLE
MOUNTING EAR OPTION: _____
BLANK = WITH PREBENT EARS AND RIBS, PLUG ONLY
I = WITHOUT EARS

COLOR: _____
BLANK = TRANSLUCENT NATURAL COLOR
AM=AMBER BK=BLACK BU=BLUE
BN=BROWN GY=GRAY GN=GREEN
OR=ORANGE RD=RED YW=YELLOW

MATERIAL: _____
BLANK = MATERIAL CODE A.
B = MATERIAL CODE B.



RECOMMENDED HOLE CUTOUT

HOUSING	DIM. "A"	DIM. "B"	DIM. "C"
PLUG	1.181/(30.00)	.440/(11.18)	.57/(14.5)

- NOTES:**
- PART ACCEPTS A MAXIMUM .250/(6.35) INSULATION DIA.
 - FOR USE WITH ALL MOLEX .125/(3.17) DIAMETER SERIES TERMINAL EXCEPT THE I219/I220 SERIES.
 - MATERIAL CODES:-
A- NYLON 6/6, U.L. 94V-2.
B- NYLON 6/6, U.L. 94V-0.

UPDATE TITLE BLOCK EC NO: UCP2011-3247 DRWN: AELHAG 2011/04/20 CHKD: JBELL 2011/04/20 APPR: FSMITH 2011/05/02	REVISIONS DESCRIPTION REV ▽=0 ▽=0 ▽=0	GENERAL TOLERANCES (UNLESS SPECIFIED) mm INCH 4 PLACES ± --- ± --- 3 PLACES ± --- ± .007 2 PLACES ± 0.18 ± .010 1 PLACE ± 0.25 ± --- ANGULAR ±1/2°		DIMENSION STYLE IN/MM	SCALE 2:1	DESIGN UNITS INCH	THIRD ANGLE PROJECTION
		DRAWN BY DATE AELHAG 2011/04/20		TITLE .125/(3.17) HOUSING, PLUG AND RECEPTACLE, 3 CKT .330/(8.38) CTR			
		CHECKED BY DATE JBELL 2011/04/20		MATERIAL NO. SEE CHART			
		APPROVED BY DATE 		DOCUMENT NO. SD-42179-3*			
DRAFT WHERE APPLICABLE MUST REMAIN WITHIN DIMENSIONS		SIZE C		THIS DRAWING CONTAINS INFORMATION THAT IS PROPRIETARY TO MOLEX INCORPORATED AND SHOULD NOT BE USED WITHOUT WRITTEN PERMISSION			