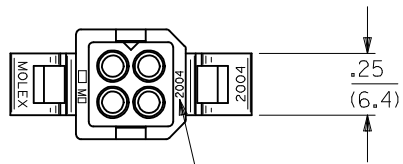


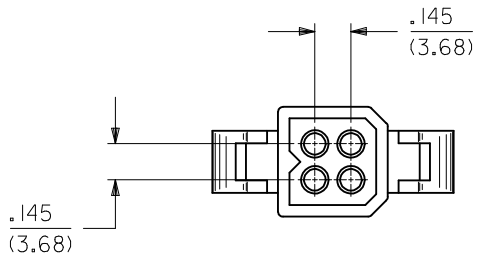
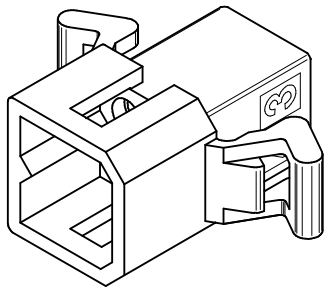
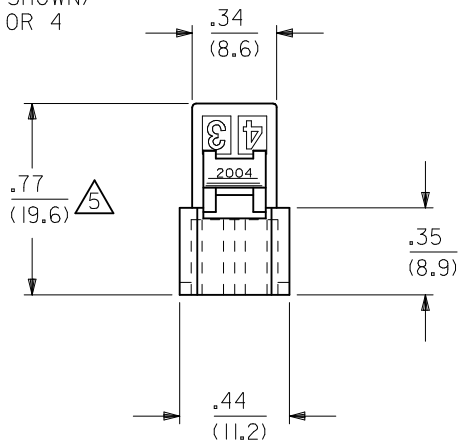
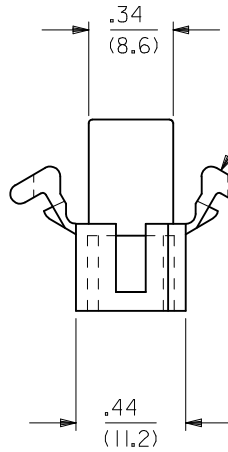
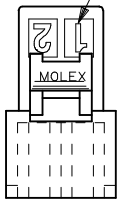
10 9 8 7 6 5 4 3 2 1



ENG. NO. LOCATION FOR PARTS W/O MTG. EARS

MOUNTING EAR (2 PL.) (PREBENT EAR SHOWN) SEE DETAIL 3 OR 4

CIRCUIT I.D. $\triangle 7$

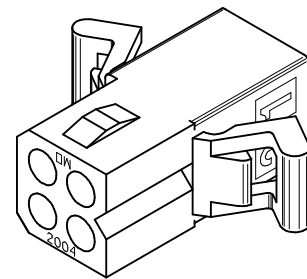
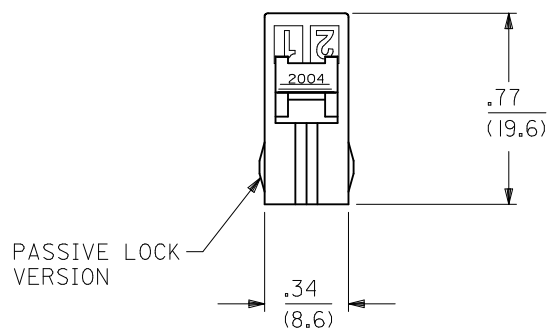
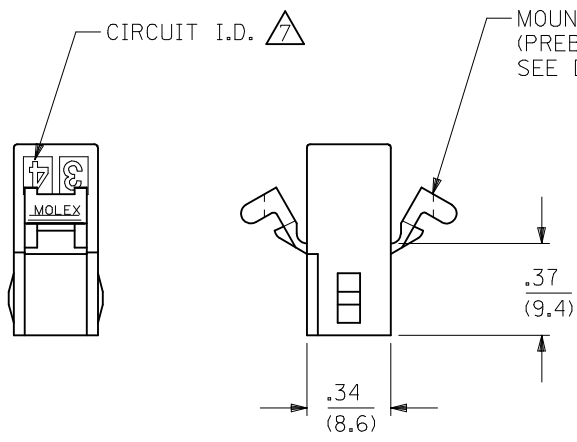
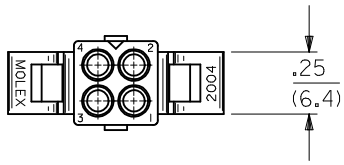


PLUG HOUSING

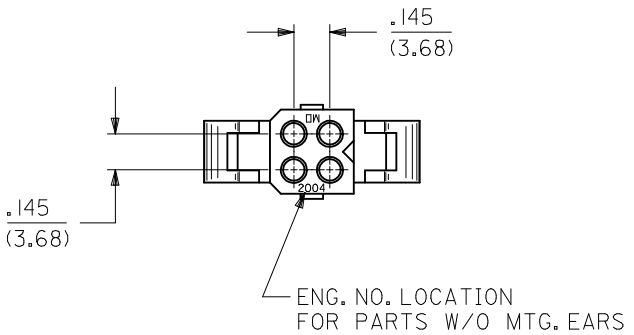
ADD 46999-0719 EC NO: UCP2015-4798 DRW:MKIPPER 2016/02/03 CHKD:JBELL 2016/02/03 APPR:FSMITH 2016/07/11 K1	QUALITY SYMBOLS $\nabla 7=0$ $\nabla 7=0$ $\nabla 7=0$	GENERAL TOLERANCES (UNLESS SPECIFIED) <table border="1"> <thead> <tr> <th></th> <th>mm</th> <th>INCH</th> </tr> </thead> <tbody> <tr> <td>4 PLACES</td> <td>± .010</td> <td>± .0004</td> </tr> <tr> <td>3 PLACES</td> <td>± .015</td> <td>± .0006</td> </tr> <tr> <td>2 PLACES</td> <td>± .025</td> <td>± .0010</td> </tr> <tr> <td>1 PLACE</td> <td>± 0.36</td> <td>± .0141</td> </tr> <tr> <td>0 PLACE</td> <td>± .050</td> <td>± .0020</td> </tr> </tbody> </table>		mm	INCH	4 PLACES	± .010	± .0004	3 PLACES	± .015	± .0006	2 PLACES	± .025	± .0010	1 PLACE	± 0.36	± .0141	0 PLACE	± .050	± .0020	DIMENSION STYLE IN/MM DRAWN BY DATE GWC 1991/08/27 CHECKED BY DATE RW 1991/08/27 APPROVED BY DATE FSMITH 2016/07/11	SCALE 2:1 DESIGN UNITS INCH THIRD ANGLE PROJECTION	TITLE PLUG AND RECEPTACLE HOUSINGS, 4 CIRCUIT, .062 DIA., .145 CTRS.
		mm	INCH																				
	4 PLACES	± .010	± .0004																				
	3 PLACES	± .015	± .0006																				
2 PLACES	± .025	± .0010																					
1 PLACE	± 0.36	± .0141																					
0 PLACE	± .050	± .0020																					
MATERIAL NO. SEE CHART	DOCUMENT NO. SD-2004-*	SHEET NO. 1 OF 3																					
ANGULAR ± 1° DRAFT WHERE APPLICABLE MUST REMAIN WITHIN DIMENSIONS			THIS DRAWING CONTAINS INFORMATION THAT IS PROPRIETARY TO MOLEX INCORPORATED AND SHOULD NOT BE USED WITHOUT WRITTEN PERMISSION																				
SIZE B																							

9 8 7 6 5 4 3 2 1

10 9 8 7 6 5 4 3 2 1



RECEPTACLE HOUSING



SEE SHEET 1 EC NO: UCP2015-4798 DRAWN: KIPPER 2016/02/03 CHKD: JBELL 2016/02/03 APPR: FSMITH 2016/07/11	DESCRIPTION REV K1	QUALITY SYMBOLS	GENERAL TOLERANCES (UNLESS SPECIFIED)	DIMENSION STYLE	SCALE	DESIGN UNITS	THIRD ANGLE PROJECTION
		$\nabla F=0$ $\nabla E=0$ $\nabla D=0$	mm INCH 4 PLACES ± --- ± --- 3 PLACES ± --- ± .010 2 PLACES ± 0.25 ± .014 1 PLACE ± 0.36 ± --- 0 PLACE ± --- ± ---	IN/MM	2:1	INCH	TITLE PLUG AND RECEPTACLE HOUSINGS, 4 CIRCUIT, .062 DIA., .145 CTRS.
			ANGULAR ± 1° DRAFT WHERE APPLICABLE MUST REMAIN WITHIN DIMENSIONS	DRAWN BY DATE GWC 1991/08/27 CHECKED BY DATE RW 1991/08/27 APPROVED BY DATE FSMITH 2016/07/11			
				MATERIAL NO.	SEE CHART	DOCUMENT NO.	SHEET NO. 2 OF 3

molex

THIS DRAWING CONTAINS INFORMATION THAT IS PROPRIETARY TO MOLEX INCORPORATED AND SHOULD NOT BE USED WITHOUT WRITTEN PERMISSION

9 8 7 6 5 4 3 2 1

PLUG	
PART NO.	ENG. NO.
03-06-2043	2004-P
03-06-7043	2004-PBK
03-06-2044	2004-PI
03-06-7044	2004-PIBK
46999-0719	2004-P2

RECEPTACLE	
PART NO.	ENG. NO.
03-06-1043	2004-R
03-06-6043	2004-RBK
03-06-1044	2004-R1
PRELIMINARY	2004-R2

LEGEND:

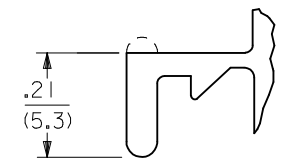
2004-***

P = PLUG
R = RECEPTACLE

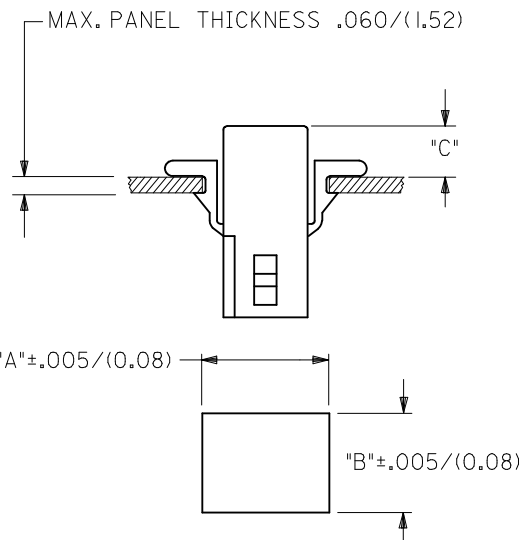
BLANK = WITH STANDARD EARS
1 = WITHOUT EARS
2 = WITH PREBENT EARS

COLOR:

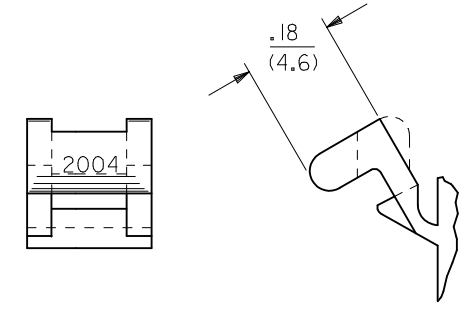
BLANK = NATURAL
AM=AMBER BK=BLACK BU=BLUE
BN=BROWN GY=GRAY GN=GREEN
OR=ORANGE RD=RED YW=YELLOW



DETAIL 3
STANDARD MOUNTING EARS
(SCALE 4:1)



- NOTES:
- MATERIAL: NYLON 6/6 UL94V-2, COLOR: SEE LEGEND
 - FINISH: NONE
 - PRODUCT SPECIFICATION: PS-02-06
 - PACKAGING SPECIFICATION: 20040000-PK
 - THIS DIMENSION DEPENDS ON TOOLING AND MAY BE 0.75/(9.1) ON SOME PARTS.
 - HOUSINGS FOR USE WITH MOLEX .062/(1.57) DIA. TERMINALS.
 - CIRCUIT I.D. NUMBERS ON SIDE OF HOUSING DEPENDS ON TOOLING AND MAY OR MAY NOT BE PRESENT.
 - PARTS CONFORM TO CLASS B REQUIREMENTS OF COSMETIC SPECIFICATION PS-45499-002.



DETAIL 4
PREBENT MOUNTING EARS
(SCALE 4:1)

RECOMMENDED HOLE PATTERN

HOUSING	DIM. "A"	DIM. "B"	PREBENT EAR DIM. "C"	STD. EAR DIM. "C"
PLUG	.615 (15.62)	.465 (11.81)	.26 (6.6)	.26 (6.6)
RECEPTACLE	.506 (12.85)	.400 (10.16)	.24 (6.1)	.24 (6.1)

SEE SHEET 1 EC NO: UCP2015-4798 DRAWN: KIPPER 2016/02/03 CHKD: JBELL 2016/02/03 APPR: FSMITH 2016/07/11 K1	QUALITY SYMBOLS $\nabla Z=0$ $\nabla Z=0$ $\nabla Z=0$	GENERAL TOLERANCES (UNLESS SPECIFIED) <table border="1"> <thead> <tr> <th></th> <th>mm</th> <th>INCH</th> </tr> </thead> <tbody> <tr> <td>4 PLACES</td> <td>± ---</td> <td>± ---</td> </tr> <tr> <td>3 PLACES</td> <td>± ---</td> <td>± .010</td> </tr> <tr> <td>2 PLACES</td> <td>± 0.25</td> <td>± .014</td> </tr> <tr> <td>1 PLACE</td> <td>± 0.36</td> <td>± ---</td> </tr> <tr> <td>0 PLACE</td> <td>± ---</td> <td>± ---</td> </tr> </tbody> </table>		mm	INCH	4 PLACES	± ---	± ---	3 PLACES	± ---	± .010	2 PLACES	± 0.25	± .014	1 PLACE	± 0.36	± ---	0 PLACE	± ---	± ---	DIMENSION STYLE IN/MM	SCALE 2:1	DESIGN UNITS INCH	THIRD ANGLE PROJECTION
		mm	INCH																					
	4 PLACES	± ---	± ---																					
	3 PLACES	± ---	± .010																					
2 PLACES	± 0.25	± .014																						
1 PLACE	± 0.36	± ---																						
0 PLACE	± ---	± ---																						
DRAWN BY DATE GWC 1991/08/27		CHECKED BY DATE RW 1991/08/27		PLUG AND RECEPTACLE HOUSINGS, 4 CIRCUIT, .062 DIA., .145 CTRS.																				
APPROVED BY DATE FSMITH 2016/07/11		MATERIAL NO.		DOCUMENT NO.		SHEET NO.																		
ANGULAR ± 1° DRAFT WHERE APPLICABLE MUST REMAIN WITHIN DIMENSIONS		SEE CHART		SD-2004-*		3 OF 3																		

THIS DRAWING CONTAINS INFORMATION THAT IS PROPRIETARY TO MOLEX INCORPORATED AND SHOULD NOT BE USED WITHOUT WRITTEN PERMISSION