

RECEPTACLE

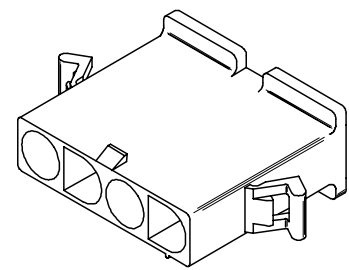
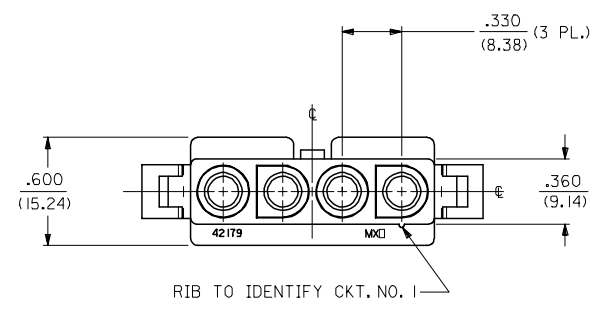
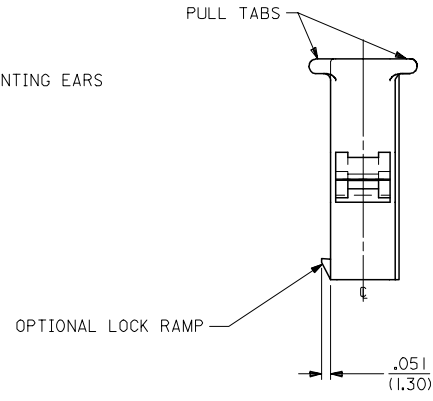
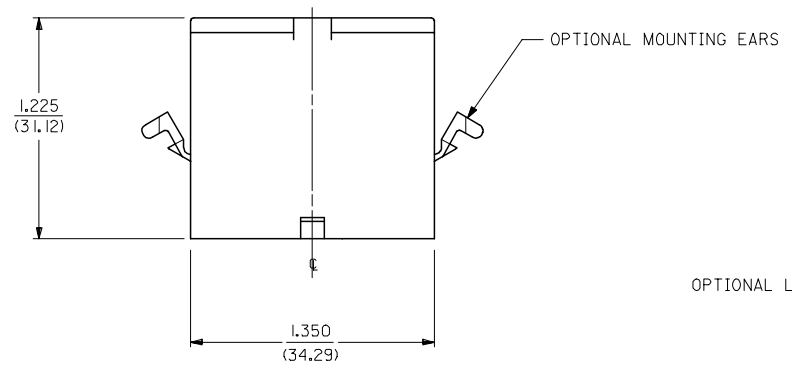
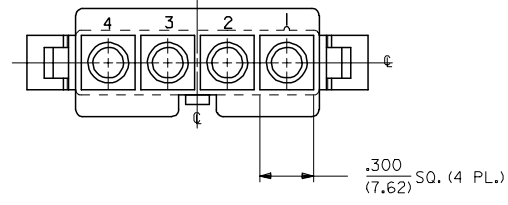
3	1
2	1
1	1
SHT.	REV.

<b>UPDATE REVISIONS</b> EC NO: UCP2007-2085 DRW:PRIDDER 2007/04/13 CHKD:AEHAG 2007/04/16 APPR:FSMLTH 2007/04/19	QUALITY SYMBOLS ▽=0 ▽=0	GENERAL TOLERANCES (UNLESS SPECIFIED) <table border="1"> <tr> <td></td> <td>mm</td> <td>INCH</td> </tr> <tr> <td>4 PLACES</td> <td>± .005</td> <td>± .001</td> </tr> <tr> <td>3 PLACES</td> <td>± .007</td> <td>± .001</td> </tr> <tr> <td>2 PLACES</td> <td>± 0.18</td> <td>± .010</td> </tr> <tr> <td>1 PLACE</td> <td>± 0.25</td> <td>± .010</td> </tr> </table>		mm	INCH	4 PLACES	± .005	± .001	3 PLACES	± .007	± .001	2 PLACES	± 0.18	± .010	1 PLACE	± 0.25	± .010	DIMENSION STYLE IN/MM	SCALE 2:1	DESIGN UNITS INCH	THIRD ANGLE PROJECTION
		mm	INCH																		
	4 PLACES	± .005	± .001																		
	3 PLACES	± .007	± .001																		
2 PLACES	± 0.18	± .010																			
1 PLACE	± 0.25	± .010																			
DRAWN BY GEP	DATE 1988/09/21	CHECKED BY RW	DATE 1988/09/21	TITLE .125/(3.17) HOUSING, PLUG AND RECEPTACLE 4 CKT .330/(8.38) CTRS.																	
APPROVED BY RAS	DATE 1988/09/21	MATERIAL NO. SEE CHART			DOCUMENT NO. SD-42179-4*	SHEET NO. 1 OF 3															
DRAFT WHERE APPLICABLE MUST REMAIN WITHIN DIMENSIONS		THIS DRAWING CONTAINS INFORMATION THAT IS PROPRIETARY TO MOLEX INCORPORATED AND SHOULD NOT BE USED WITHOUT WRITTEN PERMISSION																			

13 12 11 10 9 8 7 6 5 4 3 2 1

J  
I  
H  
G  
F  
E  
D  
C  
B  
A

J  
I  
H  
G  
F  
E  
D  
C  
B  
A



PLUG

UPDATE TITLE BLOCK EC NO: UCP2007-2085 DRAWN/PRD/DDR 2007/04/13 CHKD: AEL/HAG 2007/04/16 APPR: FSM/TH 2007/04/19	DESCRIPTION QUALITY SYMBOLS ▽=0 ▽=0	GENERAL TOLERANCES (UNLESS SPECIFIED)		DIMENSION STYLE IN/MM		SCALE 2:1	DESIGN UNITS INCH	THIRD ANGLE PROJECTION	
		4 PLACES ± .007 ± .007	3 PLACES ± .007 ± .007	2 PLACES ± 0.18 ± .010	1 PLACE ± 0.25 ± .010	ANGULAR ± 1/2°	DRAWN BY GEP	DATE 1988/09/21	TITLE .125/(3.17) HOUSINGS, PLUG AND RECEPTACLE, 4 CKT .330/(8.38) CTRS.
		DRAFT WHERE APPLICABLE MUST REMAIN WITHIN DIMENSIONS				SEE CHART	APPROVED BY RAS	DATE 1988/09/21	MOLEX INCORPORATED
						MATERIAL NO.	DOCUMENT NO.	SHEET NO. 2 OF 3	

12 11 10 9 8 7 6 5 4 3 2 1

