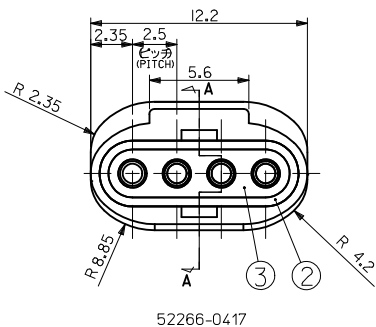
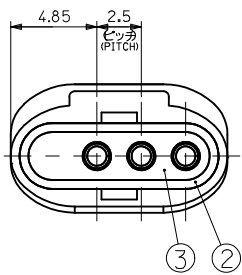


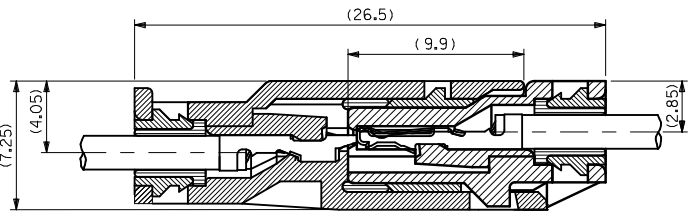
断面A-A (端子装着状態図)  
SECT.A-A (TERM. ASSEMBLY DRAWING)



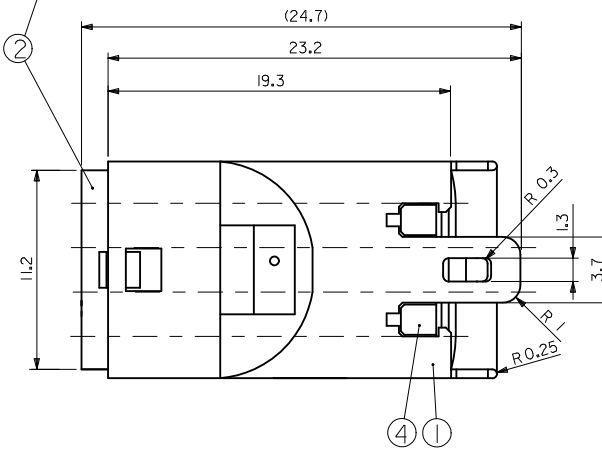
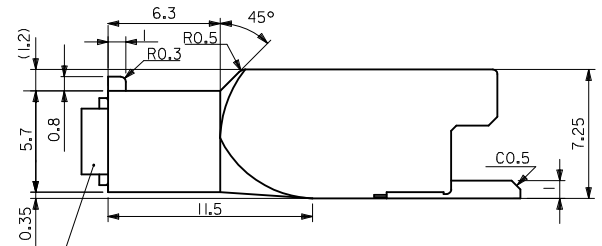
52266-0417



52266-0311



嵌合状態図  
FULLY MATED CONDITION



注記  
NOTE

- 適合端子: 50147-8\*00  
APPLICABLE TERMINAL: 50147-8\*00
- 嵌合相手: 52213-\*\*\*1\*  
MATES WITH: 52213-\*\*\*1\*
- 製品仕様書: PS-52213-003  
PRODUCT SPECIFICATION: PS-52213-003
- 取扱説明書: AS-52213-001  
APPLICATION SPECIFICATION: AS-52213-001

黒 BLACK	52266-0311	3
茶 BROWN	52266-0417	4
ハウジングの色 HSG. COLOR	製品番号 MATERIAL NO.	種数 No. of Ckt.

材料 MATERIAL	色 COLOR	名称 TITLE	
シリコンゴム SILICONE	青 BLUE	SEAL	⑤
ポリエステル (15%G.F.) POLYESTER (15%G.F.)	灰 GRAY	SEAL STOPPER	④
シリコンゴム SILICONE	青 BLUE	WIRE END SEAL	③
ポリエステル (15%G.F.) POLYESTER (15%G.F.)	灰 GRAY	CAP	②
ポリエステル (15%G.F.) POLYESTER (15%G.F.)	表参照 SEE CHART	PLUG HOUSING	①

構成部品  
COMPONENTS

REVISED REV EC NO: JTR2012-0084 DRWN: SANO 2012/07/19 CHKD: SANDO 2012/03/02 APPR: MAYAMOTO 2012/03/16	GENERAL TOLERANCES (UNLESS SPECIFIED)		DIMENSION STYLE MM ONLY	SCALE 5:1	DESIGN UNITS METRIC	TITLE 2.5 MINI WATERPROOF CONN PLUG HSG ASSY (3 AND 4 CKT.)
	10 UNDER 10 OVER 30 UNDER 30 OVER	±0.2 ±0.25 ±0.3	APPROVED BY M. SAKANO DATE 1993/11/09	CHECKED BY M. SAKANO DATE 1993/11/09	DRAWN BY M. SANO DATE 1991/07/17	APPROVED BY M. SAKANO DATE 1993/11/09
ANGULAR DRAFT WHERE APPLICABLE MUST REMAIN WITHIN DIMENSIONS		±3 °	SEE CHART		MATERIAL NO. SD-52266-002	SHEET NO. 1 OF 1
THIS DRAWING CONTAINS INFORMATION THAT IS PROPRIETARY TO MOLEX INCORPORATED AND SHOULD NOT BE USED WITHOUT WRITTEN PERMISSION						