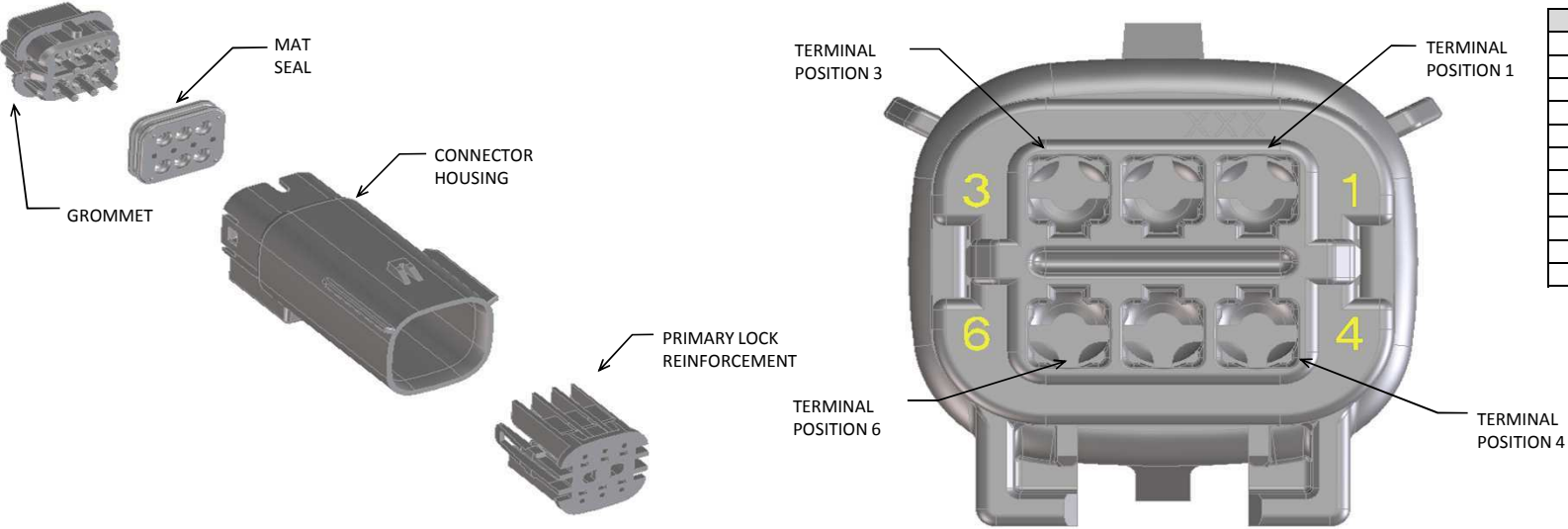




**MX150 2X3 BLADE SEALED ASSEMBLY MAT SEAL  
BOM AND PIN OUT SHEET**



ABBREVIATION	DESCRIPTION	COLOR	MATERIAL
A-BLK	HOUSING, KEYING OPTION A	BLACK	SPS/NYLON GF20
B-LG	HOUSING, KEYING OPTION B	LIGHT GRAY	SPS/NYLON GF20
C-BR	HOUSING, KEYING OPTION C	BROWN	SPS/NYLON GF20
D-GR	HOUSING, KEYING OPTION D	GREEN	SPS/NYLON GF20
C-DG	HOUSING, KEYING OPTION C	DARK GRAY	SPS/NYLON GF20
D-SG	HOUSING, KEYING OPTION D	STONE GRAY	SPS/NYLON GF20
A-YW	HOUSING, KEYING OPTION A	YELLOW	SPS/NYLON GF20
GC	GROMMET CAP (STANDARD)	BLACK	SPS/NYLON GF20
GCL	GROMMET CAP (LENGTHENED)	BLACK	SPS/NYLON GF20
PLR	PLR	NATURAL	SPS/NYLON GF20
M	MAT SEAL	ROYAL BLUE	INHERENTLY LUBRICATED SILICONE

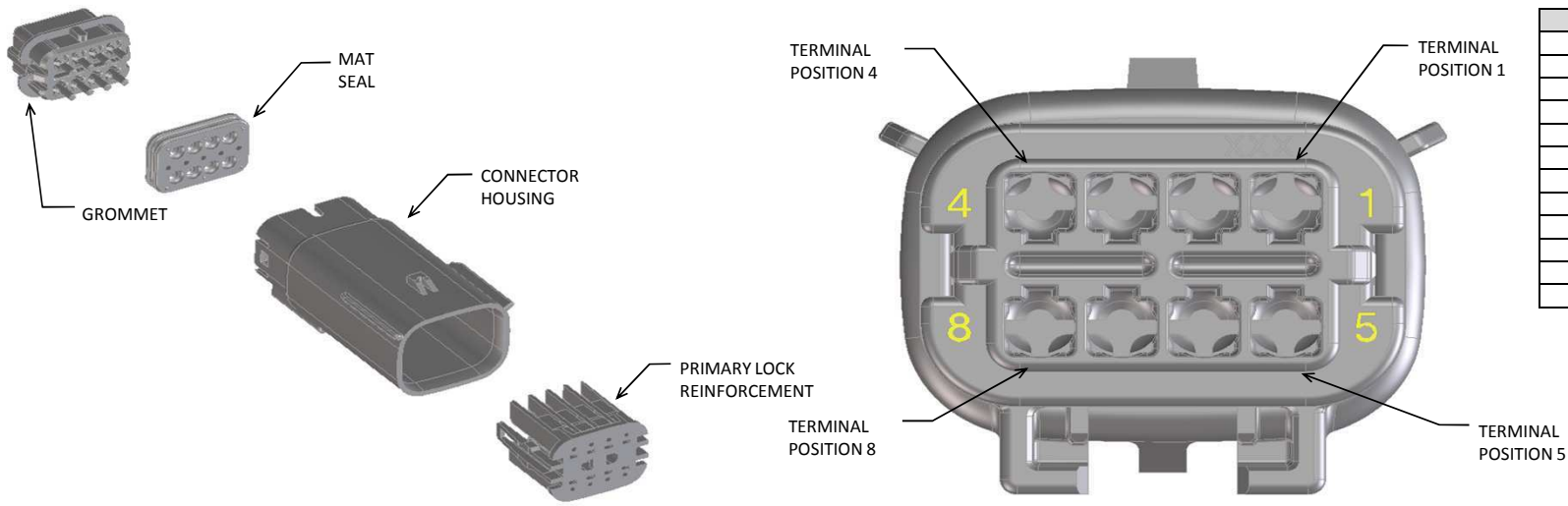
FOR ADDITIONAL INFORMATION SEE SD-33482-0001

ASSEMBLY DESCRIPTION	ASSEMBLY PART NUMBER	COMPONENT				BLOCKED TERMINALS										STATUS	COMMENTS	OPTIONAL ATTACHMENTS SOLD SEPERATELY		
		THE PRESENCE OF AN ABBREVIATION INDICATES THE PRESENCE OF THAT COMPONENT.				CAVITY WITH A NUMBER INDICATES BLOCKED TERMINAL POSITION CAVITY WITHOUT A NUMBER INDICATES OPEN TERMINAL POSITION												BACKSHELL WITH RIBS	BACKSHELL WITHOUT RIBS	
		HOUSING KEY/COLOR	GROMMET CAP	PLR	MAT SEAL	1	2	3	4	5	6									
KEY A, BLACK	33482-3601	A-BLK	GC	PLR	M												SALEABLE		34950-0610	34950-0620
KEY B, LIGHT GRAY	33482-3602	B-LG	GC	PLR	M												SALEABLE		34950-0610	34950-0620
KEY C, BROWN	33482-3603	C-BR	GC	PLR	M												NOT RECOMMENDED	SEE 33482-3628	34950-0610	34950-0620
KEY D, GREEN	33482-3604	D-GR	GC	PLR	M												NOT RECOMMENDED	SEE 33482-3629	34950-0610	34950-0620
VOID KEY	33482-3605																			
KEY A, BLACK	33482-3606	A-BLK	GC	PLR	M						3						SALEABLE		34950-0610	34950-0620
KEY B, LIGHT GRAY	33482-3607	B-LG	GC	PLR	M						3						SALEABLE		34950-0610	34950-0620
KEY C, BROWN	33482-3608	C-BR	GC	PLR	M						3						NOT RECOMMENDED	SEE 33482-3638	34950-0610	34950-0620
KEY D, GREEN	33482-3609	D-GR	GC	PLR	M						3						NOT RECOMMENDED	SEE 33482-3641	34950-0610	34950-0620
VOID KEY	33482-3610																			
KEY A, BLACK	33482-3611	A-BLK	GC	PLR	M						3	4					SALEABLE		34950-0610	34950-0620
KEY B, LIGHT GRAY	33482-3612	B-LG	GC	PLR	M						3	4					SALEABLE		34950-0610	34950-0620
KEY C, BROWN	33482-3613	C-BR	GC	PLR	M						3	4					NOT RECOMMENDED	SEE 33482-3642	34950-0610	34950-0620
KEY D, GREEN	33482-3614	D-GR	GC	PLR	M						3	4					NOT RECOMMENDED	SEE 33482-3643	34950-0610	34950-0620
VOID KEY	33482-3615																			
KEY A, BLACK	33482-3616	A-BLK	GC	PLR	M							3					SALEABLE		34950-0610	34950-0620
KEY A, BLACK	33482-3617	A-BLK	GC	PLR	M									2			SALEABLE		34950-0610	34950-0620
KEY A, BLACK	33482-3618	A-BLK	GC	PLR	M												SALEABLE		34950-0610	34950-0620
KEY A, BLACK	33482-3619	A-BLK	GC	PLR	M												SALEABLE		34950-0610	34950-0620
KEY A, BLACK	33482-3620	A-BLK	GC	PLR	M												SALEABLE		34950-0610	34950-0620
KEY A, BLACK	33482-3621	A-BLK	GC	PLR	M												SALEABLE		34950-0610	34950-0620
KEY A, BLACK	33482-3622	A-BLK	GC	PLR	M												SALEABLE		34950-0610	34950-0620
KEY A, BLACK	33482-3623	A-BLK	GC	PLR	M												SALEABLE		34950-0610	34950-0620
KEY A, BLACK	33482-3624	A-BLK	GC	PLR	M												SALEABLE		34950-0610	34950-0620
KEY B, LIGHT GRAY	33482-3625	B-LG	GC	PLR	M												SALEABLE		34950-0610	34950-0620
KEY A, BLACK	33482-3626	A-BLK	GC	PLR	M												SALEABLE		34950-0610	34950-0620
KEY A, BLACK	33482-3627	A-BLK	GC	PLR	M												SALEABLE		34950-0610	34950-0620
KEY C, DARK GRAY	33482-3628	C-DG	GC	PLR	M												SALEABLE		34950-0610	34950-0620
KEY D, STONE GRAY	33482-3629	D-SG	GC	PLR	M												SALEABLE		34950-0610	34950-0620
KEY A, BLACK	33482-3630	A-BLK	GC	PLR	M												SALEABLE		34950-0610	34950-0620
KEY A, BLACK	33482-3631	A-BLK	GCL	PLR	M												SALEABLE		34950-0610	34950-0620
KEY B, LIGHT GRAY	33482-3632	B-LG	GCL	PLR	M												SALEABLE		34950-0610	34950-0620
KEY C, DARK GRAY	33482-3633	C-DG	GCL	PLR	M												SALEABLE		34950-0610	34950-0620
KEY D, STONE GRAY	33482-3634	D-SG	GCL	PLR	M												SALEABLE		34950-0610	34950-0620
KEY C, DARK GRAY	33482-3635	C-DG	GCL	PLR	M												SALEABLE		34950-0610	34950-0620
KEY A, BLACK	33482-3636	A-BLK	GCL	PLR	M												SALEABLE		34950-0610	34950-0620
KEY A, BLACK	33482-3637	A-BLK	GC	PLR	M												SALEABLE		34950-0610	34950-0620
KEY C, DARK GRAY	33482-3638	C-DG	GC	PLR	M												SALEABLE		34950-0610	34950-0620
KEY A, BLACK	33482-3639	A-BLK	GCL	PLR	M												SALEABLE		34950-0610	34950-0620
KEY A, BLACK	33482-3640	A-BLK	GC	PLR	M												SALEABLE		34950-0610	34950-0620
KEY D, STONE GRAY	33482-3641	D-SG	GC	PLR	M												SALEABLE		34950-0610	34950-0620
KEY C, DARK GRAY	33482-3642	C-DG	GC	PLR	M												SALEABLE		34950-0610	34950-0620
KEY D, STONE GRAY	33482-3643	D-SG	GC	PLR	M												SALEABLE		34950-0610	34950-0620
KEY A, YELLOW	33482-3644	A-YW	GC	PLR	M												SALEABLE		34950-0610	34950-0620
KEY A, BLACK	33482-3645	A-BLK	GC	PLR	M												SALEABLE		34950-0610	34950-0620
KEY A, BLACK	33482-3646	A-BLK	GC	PLR	M												SALEABLE		34950-0610	34950-0620
KEY B, LIGHT GRAY	33482-3647	B-LG	GC	PLR	M												SALEABLE		34950-0610	34950-0620
KEY C, DARK GRAY	33482-3648	C-DG	GC	PLR	M												SALEABLE		34950-0610	34950-0620
KEY A, BLACK	33482-3649	A-BLK	GC	PLR	M												SALEABLE		34950-0610	34950-0620

MX150 2X3 BLADE SEALED ASSEMBLY MAT SEAL  
BOM AND PIN OUT SHEET

ASSEMBLY DESCRIPTION	ASSEMBLY PART NUMBER	COMPONENT				BLOCKED TERMINALS										STATUS	COMMENTS	OPTIONAL ATTACHMENTS SOLD SEPERATELY			
		THE PRESENCE OF AN ABBREVIATION INDICATES THE PRESENCE OF THAT COMPONENT.				CAVITY WITH A NUMBER INDICATES BLOCKED TERMINAL POSITION CAVITY WITHOUT A NUMBER INDICATES OPEN TERMINAL POSITION												BACKSHELL WITH RIBS	BACKSHELL WITHOUT RIBS		
		HOUSING KEY/COLOR	GROMMET CAP	PLR	MAT SEAL	1	2	3	4	5	6										
KEY A, BLACK	33482-3650	A-BLK	GC	PLR	M	1		3		5								SALEABLE		34950-0610	34950-0620
KEY A, BLACK	33482-3651	A-BLK	GC	PLR	M		2		4		6							SALEABLE		34950-0610	34950-0620
KEY A, BLACK	33482-3652	A-BLK	GC	PLR	M	1					6							SALEABLE		34950-0610	34950-0620

MX150 2X4 BLADE SEALED ASSEMBLY MAT SEAL  
BOM AND PIN OUT SHEET



ABBREVIATION	DESCRIPTION	COLOR	MATERIAL
A-BLK	HOUSING, KEYING OPTION A	BLACK	SPS/NYLON GF20
B-LG	HOUSING, KEYING OPTION B	LIGHT GRAY	SPS/NYLON GF20
C-BR	HOUSING, KEYING OPTION C	BROWN	SPS/NYLON GF20
D-GR	HOUSING, KEYING OPTION D	GREEN	SPS/NYLON GF20
C-DG	HOUSING, KEYING OPTION C	DARK GRAY	SPS/NYLON GF20
D-SG	HOUSING, KEYING OPTION D	STONE GRAY	SPS/NYLON GF20
A-YW	HOUSING, KEYING OPTION A	YELLOW	SPS/NYLON GF20
GCP	GROMMET CAP (PLUGGED)	BLACK	SPS/NYLON GF20
GCO	GROMMET CAP (OPEN)	BLACK	SPS/NYLON GF20
PLR	PLR	NATURAL	SPS/NYLON GF20
M-R	MAT SEAL	RUST RED	INHERENTLY LUBRICATED SILICONE
M-B	MAT SEAL	ROYAL BLUE	INHERENTLY LUBRICATED SILICONE

FOR ADDITIONAL INFORMATION SEE SD-33482-0001

ASSEMBLY DESCRIPTION	ASSEMBLY PART NUMBER	COMPONENT				BLOCKED TERMINALS								STATUS	COMMENTS	OPTIONAL ATTACHMENTS SOLD SEPERATELY			
		THE PRESENCE OF AN ABBREVIATION INDICATES THE PRESENCE OF THAT COMPONENT.				CAVITY WITH A NUMBER INDICATES BLOCKED TERMINAL POSITION CAVITY WITHOUT A NUMBER INDICATES OPEN TERMINAL POSITION										BACKSHELL WITH RIBS	BACKSHELL WITHOUT RIBS		
		HOUSING KEY/COLOR	GROMMET CAP	PLR	MAT SEAL	1	2	3	4	5	6	7	8						
KEY A, BLACK	33482-0801	A-BLK	GCO	PLR	M-R											PLANNED OBSOLESCENCE	SEE 33482-4801	34950-0810	34950-0820
KEY B, LIGHT GRAY	33482-0802	B-LG	GCO	PLR	M-R											PLANNED OBSOLESCENCE	SEE 33482-4802	34950-0810	34950-0820
KEY C, BROWN	33482-0803	C-BR	GCO	PLR	M-R											PLANNED OBSOLESCENCE	SEE 33482-4803	34950-0810	34950-0820
KEY D, GREEN	33482-0804	D-GR	GCO	PLR	M-R											PLANNED OBSOLESCENCE	SEE 33482-4804	34950-0810	34950-0820
VOID KEY	33482-0805																		
KEY A, BLACK	33482-0806	A-BLK	GCP	PLR	M-R				4							PLANNED OBSOLESCENCE	SEE 33482-4806	34950-0810	34950-0820
KEY B, LIGHT GRAY	33482-0807	B-LG	GCP	PLR	M-R				4							PLANNED OBSOLESCENCE	SEE 33482-4807	34950-0810	34950-0820
KEY C, BROWN	33482-0808	C-BR	GCP	PLR	M-R				4							PLANNED OBSOLESCENCE	SEE 33482-4808	34950-0810	34950-0820
KEY D, GREEN	33482-0809	D-GR	GCP	PLR	M-R				4							PLANNED OBSOLESCENCE	SEE 33482-4809	34950-0810	34950-0820
VOID KEY	33482-0810																		
KEY A, BLACK	33482-0811	A-BLK	GCP	PLR	M-R				4	5						PLANNED OBSOLESCENCE	SEE 33482-4811	34950-0810	34950-0820
KEY B, LIGHT GRAY	33482-0812	B-LG	GCP	PLR	M-R				4	5						PLANNED OBSOLESCENCE	SEE 33482-4812	34950-0810	34950-0820
KEY C, BROWN	33482-0813	C-BR	GCP	PLR	M-R				4	5						PLANNED OBSOLESCENCE	SEE 33482-4813	34950-0810	34950-0820
KEY D, GREEN	33482-0814	D-GR	GCP	PLR	M-R				4	5						PLANNED OBSOLESCENCE	SEE 33482-4814	34950-0810	34950-0820
VOID KEY	33482-0815																		
KEY A, BLACK	33482-0816	A-BLK	GCP	PLR	M-R	1			4	5						PLANNED OBSOLESCENCE	SEE 33482-4816	34950-0810	34950-0820
KEY B, LIGHT GRAY	33482-0817	B-LG	GCP	PLR	M-R	1			4	5						PLANNED OBSOLESCENCE	SEE 33482-4817	34950-0810	34950-0820
KEY C, BROWN	33482-0818	C-BR	GCP	PLR	M-R	1			4	5						PLANNED OBSOLESCENCE	SEE 33482-4818	34950-0810	34950-0820
KEY D, GREEN	33482-0819	D-GR	GCP	PLR	M-R	1			4	5						PLANNED OBSOLESCENCE	SEE 33482-4819	34950-0810	34950-0820
VOID KEY	33482-0820																		
KEY A, BLACK	33482-0821	A-BLK	GCP	PLR	M-R	1			4	5				8		PLANNED OBSOLESCENCE	SEE 33482-4821	34950-0810	34950-0820
KEY B, LIGHT GRAY	33482-0822	B-LG	GCP	PLR	M-R	1			4	5				8		PLANNED OBSOLESCENCE	SEE 33482-4822	34950-0810	34950-0820
KEY C, BROWN	33482-0823	C-BR	GCP	PLR	M-R	1			4	5				8		PLANNED OBSOLESCENCE	SEE 33482-4823	34950-0810	34950-0820
KEY D, GREEN	33482-0824	D-GR	GCP	PLR	M-R	1			4	5				8		PLANNED OBSOLESCENCE	SEE 33482-4824	34950-0810	34950-0820
VOID KEY	33482-0825																		
KEY A, BLACK	33482-0826	A-BLK	GCP	PLR	M-R	1	2	3				6	7	8		PLANNED OBSOLESCENCE	SEE 33482-4826	34950-0810	34950-0820
KEY A, BLACK	33482-0827	A-BLK	GCP	PLR	M-R									8		PLANNED OBSOLESCENCE	SEE 33482-4827	34950-0810	34950-0820
KEY A, BLACK	33482-0828	A-BLK	GCP	PLR	M-R			3		5						PLANNED OBSOLESCENCE	SEE 33482-4828	34950-0810	34950-0820
KEY A, BLACK	33482-0829	A-BLK	GCP	PLR	M-R		2	3	4	5		6	7			PLANNED OBSOLESCENCE	SEE 33482-4829	34950-0810	34950-0820
KEY A, BLACK	33482-0830	A-BLK	GCP	PLR	M-R							6				PLANNED OBSOLESCENCE	SEE 33482-4830	34950-0810	34950-0820
KEY A, BLACK	33482-0831	A-BLK	GCP	PLR	M-R			3		5		6				PLANNED OBSOLESCENCE	SEE 33482-4831	34950-0810	34950-0820
KEY A, BLACK	33482-0832	A-BLK	GCP	PLR	M-R					5		6		8		PLANNED OBSOLESCENCE	SEE 33482-4832	34950-0810	34950-0820
KEY A, BLACK	33482-0833	A-BLK	GCP	PLR	M-R	1		3		5						PLANNED OBSOLESCENCE	SEE 33482-4833	34950-0810	34950-0820
KEY A, BLACK	33482-0834	A-BLK	GCP	PLR	M-R	1	2	3	4	5		6	7	8		PLANNED OBSOLESCENCE	SEE 33482-4834	34950-0810	34950-0820
KEY A, BLACK	33482-0835	A-BLK	GCP	PLR	M-R								7	8		PLANNED OBSOLESCENCE	SEE 33482-4835	34950-0810	34950-0820
KEY A, BLACK	33482-0836	A-BLK	GCP	PLR	M-R		2	3				6	7	8		PLANNED OBSOLESCENCE	SEE 33482-4836	34950-0810	34950-0820
KEY A, BLACK	33482-0837	A-BLK	GCP	PLR	M-R	1			4							PLANNED OBSOLESCENCE	SEE 33482-4837	34950-0810	34950-0820
KEY A, BLACK	33482-0838	A-BLK	GCP	PLR	M-R		2	3		5		6	7	8		PLANNED OBSOLESCENCE	SEE 33482-4838	34950-0810	34950-0820
KEY B, LIGHT GRAY	33482-0839	B-LG	GCP	PLR	M-R									8		PLANNED OBSOLESCENCE	SEE 33482-4839	34950-0810	34950-0820
KEY A, BLACK	33482-0840	A-BLK	GCP	PLR	M-R		2	3		5		6		8		PLANNED OBSOLESCENCE	SEE 33482-4840	34950-0810	34950-0820
KEY A, BLACK	33482-0841	A-BLK	GCP	PLR	M-R							6	7			PLANNED OBSOLESCENCE	SEE 33482-4841	34950-0810	34950-0820
KEY A, BLACK	33482-0842	A-BLK	GCP	PLR	M-R								7			PLANNED OBSOLESCENCE	SEE 33482-4842	34950-0810	34950-0820
KEY A, BLACK	33482-0843	A-BLK	GCP	PLR	M-R				4				7			PLANNED OBSOLESCENCE	SEE 33482-4843	34950-0810	34950-0820
KEY A, BLACK	33482-0844	A-BLK	GCP	PLR	M-R			3				6				PLANNED OBSOLESCENCE	SEE 33482-4844	34950-0810	34950-0820
KEY A, BLACK	33482-0845	A-BLK	GCP	PLR	M-R		2	3	4	5		6				PLANNED OBSOLESCENCE	SEE 33482-4845	34950-0810	34950-0820
KEY A, BLACK	33482-0846	A-BLK	GCP	PLR	M-R				4	5			7	8		PLANNED OBSOLESCENCE	SEE 33482-4846	34950-0810	34950-0820
KEY B, LIGHT GRAY	33482-0847	B-LG	GCP	PLR	M-R	1	2	3	4	5		6	7	8		PLANNED OBSOLESCENCE	SEE 33482-4847	34950-0810	34950-0820
KEY A, BLACK	33482-0848	A-BLK	GCP	PLR	M-R	1				5						PLANNED OBSOLESCENCE	SEE 33482-4848	34950-0810	34950-0820



MX150 2X4 BLADE SEALED ASSEMBLY MAT SEAL  
BOM AND PIN OUT SHEET

ASSEMBLY DESCRIPTION	ASSEMBLY PART NUMBER	COMPONENT				BLOCKED TERMINALS											STATUS	COMMENTS	OPTIONAL ATTACHMENTS SOLD SEPERATELY	
		THE PRESENCE OF AN ABBREVIATION INDICATES THE PRESENCE OF THAT COMPONENT.				CAVITY WITH A NUMBER INDICATES BLOCKED TERMINAL POSITION CAVITY WITHOUT A NUMBER INDICATES OPEN TERMINAL POSITION													BACKSHELL WITH RIBS	BACKSHELL WITHOUT RIBS
		HOUSING KEY/COLOR	GROMMET CAP	PLR	MAT SEAL	1	2	3	4	5	6	7	8							
KEY A, BLACK	33482-4841	A-BLK	GCP	PLR	M-B						6	7					SALEABLE		34950-0810	34950-0820
KEY A, BLACK	33482-4842	A-BLK	GCP	PLR	M-B							7					SALEABLE		34950-0810	34950-0820
KEY A, BLACK	33482-4843	A-BLK	GCP	PLR	M-B				4			7					SALEABLE		34950-0810	34950-0820
KEY A, BLACK	33482-4844	A-BLK	GCP	PLR	M-B			3			6						SALEABLE		34950-0810	34950-0820
KEY A, BLACK	33482-4845	A-BLK	GCP	PLR	M-B		2	3	4	5	6						SALEABLE		34950-0810	34950-0820
KEY A, BLACK	33482-4846	A-BLK	GCP	PLR	M-B				4	5		7	8				SALEABLE		34950-0810	34950-0820
KEY B, LIGHT GRAY	33482-4847	B-LG	GCP	PLR	M-B	1	2	3	4	5	6	7	8				SALEABLE		34950-0810	34950-0820
KEY A, BLACK	33482-4848	A-BLK	GCP	PLR	M-B	1				5							SALEABLE		34950-0810	34950-0820
KEY B, LIGHT GRAY	33482-4849	B-LG	GCP	PLR	M-B	1					6						SALEABLE		34950-0810	34950-0820
KEY A, YELLOW	33482-4850	A-YW	GCP	PLR	M-B	1			4								SALEABLE		34950-0810	34950-0820
KEY A, YELLOW	33482-4851	A-YW	GCO	PLR	M-B												SALEABLE		34950-0810	34950-0820
KEY C, DARK GRAY	33482-4852	C-DG	GCO	PLR	M-B												SALEABLE		34950-0810	34950-0820
KEY D, STONE GRAY	33482-4853	D-SG	GCO	PLR	M-B												SALEABLE		34950-0810	34950-0820
KEY A, BLACK	33482-4854	A-BLK	GCP	PLR	M-B	1	2	3	4								SALEABLE		34950-0810	34950-0820
KEY A, BLACK	33482-4855	A-BLK	GCP	PLR	M-B	1	2			5	6	7	8				SALEABLE		34950-0810	34950-0820
KEY A, BLACK	33482-4856	A-BLK	GCP	PLR	M-B	1	2										SALEABLE		34950-0810	34950-0820
KEY A, BLACK	33482-4857	A-BLK	GCP	PLR	M-B	1	2	3		5							SALEABLE		34950-0810	34950-0820
KEY A, BLACK	33482-4858	A-BLK	GCP	PLR	M-B	1	2	3	4	5			8				SALEABLE		34950-0810	34950-0820
KEY A, BLACK	33482-4859	A-BLK	GCP	PLR	M-B	1		3		5	6	7					SALEABLE		34950-0810	34950-0820
KEY A, BLACK	33482-4860	A-BLK	GCP	PLR	M-B	1	2	3	4	5	6						SALEABLE		34950-0810	34950-0820
KEY A, BLACK	33482-4861	A-BLK	GCP	PLR	M-B	1	2	3			6						SALEABLE		34950-0810	34950-0820
KEY A, BLACK	33482-4862	A-BLK	GCP	PLR	M-B	1					6						SALEABLE		34950-0810	34950-0820
KEY A, BLACK	33482-4863	A-BLK	GCP	PLR	M-B	1					6	7	8				SALEABLE		34950-0810	34950-0820
KEY A, BLACK	33482-4864	A-BLK	GCP	PLR	M-B			3	4	5	6	7	8				SALEABLE		34950-0810	34950-0820
KEY A, BLACK	33482-4865	A-BLK	GCP	PLR	M-B				4			7	8				SALEABLE		34950-0810	34950-0820
KEY A, BLACK	33482-4866	A-BLK	GCP	PLR	M-B				4	5	6	7	8				SALEABLE		34950-0810	34950-0820
KEY A, BLACK	33482-4867	A-BLK	GCP	PLR	M-B		2	3	4		6	7	8				SALEABLE		34950-0810	34950-0820
KEY A, BLACK	33482-4868	A-BLK	GCP	PLR	M-B					5	6	7					SALEABLE		34950-0810	34950-0820
KEY A, BLACK	33482-4869	A-BLK	GCP	PLR	M-B			3	4								SALEABLE		34950-0810	34950-0820
KEY A, BLACK	33482-4870	A-BLK	GCP	PLR	M-B						6	7	8				SALEABLE		34950-0810	34950-0820
KEY B, LIGHT GRAY	33482-4871	B-LG	GCP	PLR	M-B							7	8				SALEABLE		34950-0810	34950-0820
KEY A, BLACK	33482-4872	A-BLK	GCP	PLR	M-B	1						8					SALEABLE		34950-0810	34950-0820
KEY A, BLACK	33482-4873	A-BLK	GCP	PLR	M-B						6		8				SALEABLE		34950-0810	34950-0820
KEY A, BLACK	33482-4874	A-BLK	GCP	PLR	M-B		2			5							SALEABLE		34950-0810	34950-0820
KEY A, BLACK	33482-4875	A-BLK	GCP	PLR	M-B					5							SALEABLE		34950-0810	34950-0820
KEY B, LIGHT GRAY	33482-4876	B-LG	GCP	PLR	M-B	1		3					8				SALEABLE		34950-0810	34950-0820
KEY B, LIGHT GRAY	33482-4877	B-LG	GCP	PLR	M-B			3					8				SALEABLE		34950-0810	34950-0820
KEY B, LIGHT GRAY	33482-4878	B-LG	GCP	PLR	M-B	1											SALEABLE		34950-0810	34950-0820
KEY A, BLACK	33482-4879	A-BLK	GCP	PLR	M-B	1	2	3	4	5		7					SALEABLE		34950-0810	34950-0820
KEY A, BLACK	33482-4880	A-BLK	GCP	PLR	M-B	1											SALEABLE		34950-0810	34950-0820
KEY A, BLACK	33482-4881	A-BLK	GCP	PLR	M-B					5			8				SALEABLE		34950-0810	34950-0820
KEY A, BLACK	33482-4882	A-BLK	GCP	PLR	M-B				4		6						SALEABLE		34950-0810	34950-0820
KEY A, BLACK	33482-4883	A-BLK	GCP	PLR	M-B	1						7					SALEABLE		34950-0810	34950-0820











MX150 2X6 BLADE SEALED ASSY MAT SEAL
BOM AND PIN OUT SHEET

Table with columns: ASSEMBLY DESCRIPTION, ASSEMBLY PART NUMBER, COMPONENT (HOUSING KEY/COLOR, GROMMET CAP, PLR, MAT SEAL), BLOCKED TERMINALS (1-12), STATUS, COMMENTS, OPTIONAL ATTACHMENTS SOLD SEPERATELY (BACKSHELL WITH RIBS, BACKSHELL WITHOUT RIBS).



MX150 2X6 BLADE SEALED ASSY MAT SEAL  
BOM AND PIN OUT SHEET

ASSEMBLY DESCRIPTION	ASSEMBLY PART NUMBER	COMPONENT				BLOCKED TERMINALS												STATUS	COMMENTS	OPTIONAL ATTACHMENTS SOLD SEPERATELY		
		THE PRESENCE OF AN ABBREVIATION INDICATES THE PRESENCE OF THAT COMPONENT.				CAVITY WITH A NUMBER INDICATES BLOCKED TERMINAL POSITION CAVITY WITHOUT A NUMBER INDICATES OPEN TERMINAL POSITION														BACKSHELL WITH RIBS	BACKSHELL WITHOUT RIBS	
		HOUSING KEY/COLOR	GROMMET CAP	PLR	MAT SEAL	1	2	3	4	5	6	7	8	9	10	11	12					
KEY A, BLACK	33482-6413	A-BLK	GCP	PLR	M-B	1		3		5						11		SALEABLE		34950-1210	34950-1220	
KEY A, BLACK	33482-6414	A-BLK	GCP	PLR	M-B	1		3		5			8		10		11		SALEABLE		34950-1210	34950-1220
KEY A, BLACK	33482-6415	A-BLK	GCP	PLR	M-B		2	3		5	6	7		9		11	12		SALEABLE		34950-1210	34950-1220
KEY A, BLACK	33482-6416	A-BLK	GCP	PLR	M-B	1			4	5	6		8		10		12		SALEABLE		34950-1210	34950-1220
KEY A, BLACK	33482-6417	A-BLK	GCP	PLR	M-B	1			4	5			8		10		12		SALEABLE		34950-1210	34950-1220
KEY A, BLACK	33482-6418	A-BLK	GCP	PLR	M-B	1	2	3	4	5			8		10	11	12		SALEABLE		34950-1210	34950-1220
KEY A, BLACK	33482-6419	A-BLK	GCP	PLR	M-B		2	3		5	6	7		9	10	11	12		SALEABLE		34950-1210	34950-1220
KEY A, BLACK	33482-6420	A-BLK	GCP	PLR	M-B	1	2	3	4				8	9					SALEABLE		34950-1210	34950-1220
KEY A, BLACK	33482-6421	A-BLK	GCP	PLR	M-B		2	3						9					SALEABLE		34950-1210	34950-1220
KEY A, BLACK	33482-6422	A-BLK	GCP	PLR	M-B								8		10	11			SALEABLE		34950-1210	34950-1220
KEY A, BLACK	33482-6423	A-BLK	GCP	PLR	M-B	1		3		5						11			SALEABLE		34950-1210	34950-1220
KEY A, BLACK	33482-6424	A-BLK	GCP	PLR	M-B	1		3		5			8		10	11			SALEABLE		34950-1210	34950-1220
KEY A, BLACK	33482-6425	A-BLK	GCP	PLR	M-B		2		4		6	7	8	9	10	11	12		SALEABLE		34950-1210	34950-1220
KEY A, BLACK	33482-6426	A-BLK	GCP	PLR	M-B				3	4						11	12		SALEABLE		34950-1210	34950-1220
KEY A, BLACK	33482-6427	A-BLK	GCP	PLR	M-B				3	4				9	10	11	12		SALEABLE		34950-1210	34950-1220
KEY A, BLACK	33482-6428	A-BLK	GCP	PLR	M-B	1	2			5	6	7	8	9	10				SALEABLE		34950-1210	34950-1220
KEY A, BLACK	33482-6429	A-BLK	GCP	PLR	M-B								9	10					SALEABLE		34950-1210	34950-1220
KEY A, BLACK	33482-6430	A-BLK	GCP	PLR	M-B				3	4	5	6		8	9				SALEABLE		34950-1210	34950-1220
KEY B, LIGHT GRAY	33482-6431	B-LG	GCP	PLR	M-B	1	2	3	4				8			11	12		SALEABLE		34950-1210	34950-1220
KEY B, LIGHT GRAY	33482-6432	B-LG	GCP	PLR	M-B	1	2	3	4				8						SALEABLE		34950-1210	34950-1220
KEY A, BLACK	33482-6433	A-BLK	GCP	PLR	M-B										10	11	12		SALEABLE		34950-1210	34950-1220
KEY B, LIGHT GRAY	33482-6434	B-LG	GCP	PLR	M-B							7	8	9			12		SALEABLE		34950-1210	34950-1220
KEY A, BLACK	33482-6435	A-BLK	GCP	PLR	M-B							7	8	9	10	11	12		SALEABLE		34950-1210	34950-1220
KEY A, BLACK	33482-6436	A-BLK	GCP	PLR	M-B		2						8	9	10	11	12		SALEABLE		34950-1210	34950-1220
KEY A, BLACK	33482-6437	A-BLK	GCP	PLR	M-B		2						8	9					SALEABLE		34950-1210	34950-1220





MX150 2X8 BLADE SEALED ASSY MAT SEAL  
BOM AND PIN OUT SHEET

Table with columns: ASSEMBLY DESCRIPTION, ASSEMBLY PART NUMBER, COMPONENT (HOUSING KEY/COLOR, GROMMET CAP, PLR, MAT SEAL), BLOCKED TERMINALS (1-16), STATUS, COMMENTS, and OPTIONAL ATTACHMENTS SOLD SEPERATELY (BACKSHELL WITH RIBS, BACKSHELL WITHOUT RIBS). Rows include various assembly descriptions like KEY A, BLACK and KEY B, LIGHT GRAY, with corresponding part numbers and terminal configurations.







MX150 2X8 BLADE SEALED ASSY MAT SEAL  
BOM AND PIN OUT SHEET

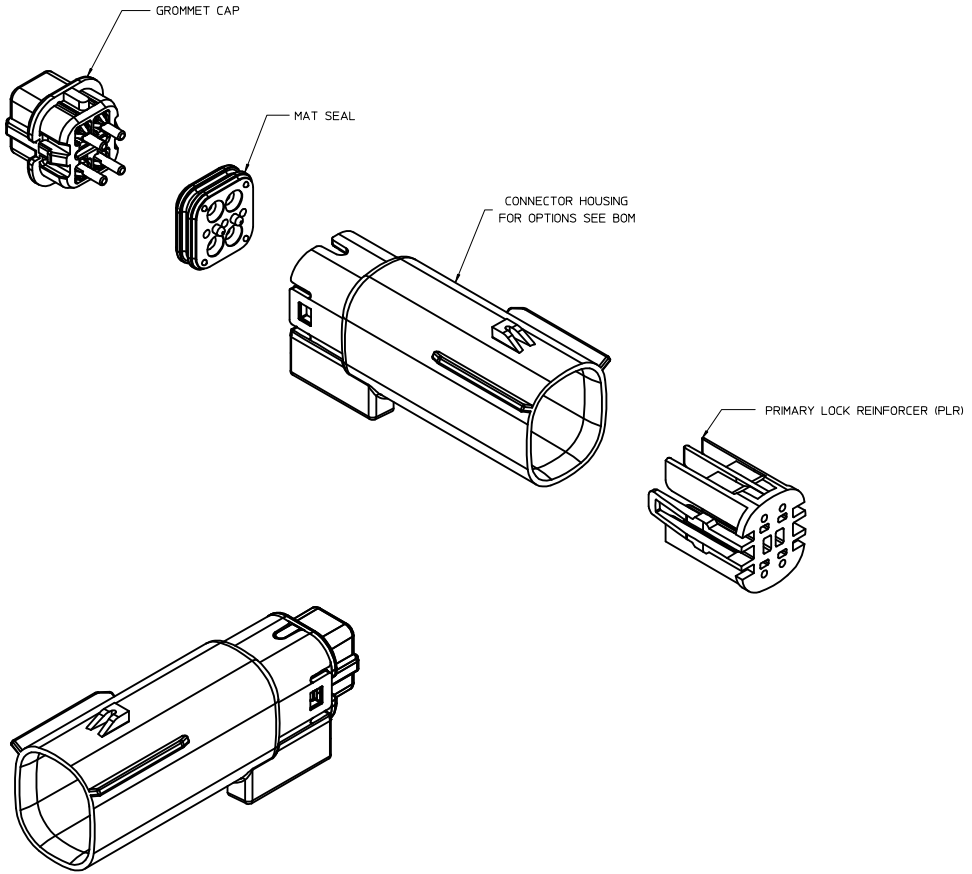
ASSEMBLY DESCRIPTION	ASSEMBLY PART NUMBER	COMPONENT				BLOCKED TERMINALS																STATUS	COMMENTS	OPTIONAL ATTACHMENTS SOLD SEPERATELY				
		THE PRESENCE OF AN ABBREVIATION INDICATES THE PRESENCE OF THAT COMPONENT.				CAVITY WITH A NUMBER INDICATES BLOCKED TERMINAL POSITION CAVITY WITHOUT A NUMBER INDICATES OPEN TERMINAL POSITION																		BACKSHELL WITH RIBS	BACKSHELL WITHOUT RIBS			
		HOUSING KEY/COLOR	GROMMET CAP	PLR	MAT SEAL	1	2	3	4	5	6	7	8	9	10	11	12	13	14	15	16							
KEY A, BLACK	33482-8790	A-BLK	GCP	PLR	M-B	1	2			5		7		9		11	12	13	14	15	16	SALEABLE						
KEY A, BLACK	33482-8791	A-BLK	GCP	PLR	M-B	1	2	3															SALEABLE					
KEY A, BLACK	33482-8792	A-BLK	GCP	PLR	M-B					5		7										16	SALEABLE					
KEY A, BLACK	33482-8793	A-BLK	GCP	PLR	M-B		2	3							10	11							SALEABLE					
KEY A, BLACK	33482-8794	A-BLK	GCP	PLR	M-B	1	2	3		5	6						12	13					SALEABLE					
KEY A, BLACK	33482-8795	A-BLK	GCP	PLR	M-B			3						10			13	14	15				SALEABLE					
KEY A, BLACK	33482-8796	A-BLK	GCP	PLR	M-B							7		9					14	15	16		SALEABLE					
KEY A, BLACK	33482-8797	A-BLK	GCP	PLR	M-B							7	8				12						SALEABLE					
KEY A, BLACK	33482-8798	A-BLK	GCP	PLR	M-B			3							10	11	12	13	14	15	16		SALEABLE					
KEY A, BLACK	33482-8799	A-BLK	GCP	PLR	M-B			3	4	5	6	7			10						15	16	SALEABLE					
KEY A, BLACK	33482-8800	A-BLK	GCP	PLR	M-B	1	2			5							13	14					SALEABLE					
KEY A, BLACK	33482-8801	A-BLK	GCP	PLR	M-B					5		7	8	9	10	11	12	13	14				SALEABLE					
KEY A, BLACK	33482-8802	A-BLK	GCP	PLR	M-B					5							13	14					SALEABLE					
KEY A, BLACK	33482-8803	A-BLK	GCP	PLR	M-B	1	2			5													SALEABLE					
KEY A, BLACK	33482-8804	A-BLK	GCP	PLR	M-B	1	2			5		7	8	9	10	11	12	13	14				SALEABLE					
KEY A, BLACK	33482-8805	A-BLK	GCP	PLR	M-B						6				10	11	12	13	14	15	16		SALEABLE					
KEY A, BLACK	33482-8806	A-BLK	GCP	PLR	M-B						6						13	14	15	16			SALEABLE					
KEY A, BLACK	33482-8807	A-BLK	GCP	PLR	M-B						6						13	14					SALEABLE					
KEY A, BLACK	33482-8808	A-BLK	GCP	PLR	M-B	1	2	3	4	5	6						13	14	15	16			SALEABLE					
KEY A, BLACK	33482-8809	A-BLK	GCP	PLR	M-B	1							8							15			SALEABLE					
KEY A, BLACK	33482-8810	A-BLK	GCP	PLR	M-B	1														15			SALEABLE					
KEY A, BLACK	33482-8811	A-BLK	GCP	PLR	M-B								8				13				16		SALEABLE					
KEY A, BLACK	33482-8812	A-BLK	GCP	PLR	M-B								8			11	12	13				16	SALEABLE					
KEY A, BLACK	33482-8813	A-BLK	GCP	PLR	M-B				4	5	6	7			10				14	15	16		SALEABLE					
KEY A, BLACK	33482-8814	A-BLK	GCP	PLR	M-B							7			10								SALEABLE					
KEY A, BLACK	33482-8815	A-BLK	GCP	PLR	M-B	1				3	5	6					12	13					SALEABLE					
KEY A, BLACK	33482-8816	A-BLK	GCP	PLR	M-B				3		5	6	7			10			13	14	15	16	SALEABLE					
KEY A, BLACK	33482-8817	A-BLK	GCP	PLR	M-B											11	12		14	15	16		SALEABLE					
KEY A, BLACK	33482-8818	A-BLK	GCP	PLR	M-B						6	7	8		10	11	12	13	14	15			SALEABLE					
KEY A, BLACK	33482-8819	A-BLK	GCP	PLR	M-B	1	2					7		9	10	11	12	13	14			16	SALEABLE					
KEY A, BLACK	33482-8820	A-BLK	GCP	PLR	M-B							7		9			12	13	14			16	SALEABLE					
KEY A, BLACK	33482-8821	A-BLK	GCP	PLR	M-B		2	3				7		9	10	11					15	16	SALEABLE					
KEY A, BLACK	33482-8822	A-BLK	GCP	PLR	M-B	1			4	5	6		8				12	13	14				SALEABLE					
KEY B, LIGHT GRAY	33482-8823	B-LG	GCP	PLR	M-B					5	6			9			12	13	14	15			SALEABLE					
KEY A, BLACK	33482-8824	A-BLK	GCP	PLR	M-B							7	8										SALEABLE					
KEY A, BLACK	33482-8825	A-BLK	GCP	PLR	M-B										10			13	14	15	16		SALEABLE					
KEY A, BLACK	33482-8826	A-BLK	GCP	PLR	M-B	1	2	3	4	5	6					11	12						SALEABLE					
KEY A, BLACK	33482-8827	A-BLK	GCP	PLR	M-B				3	4		6	7		9							16	SALEABLE					
KEY A, BLACK	33482-8828	A-BLK	GCP	PLR	M-B							6	7		9							16	SALEABLE					
KEY A, BLACK	33482-8829	A-BLK	GCP	PLR	M-B	1	2		4	5		7	8	9							15	16	SALEABLE					
KEY A, BLACK	33482-8830	A-BLK	GCP	PLR	M-B											11	12	13	14	15			SALEABLE					
KEY A, BLACK	33482-8831	A-BLK	GCP	PLR	M-B												12	13	14				SALEABLE					
KEY B, LIGHT GRAY	33482-8832	B-LG	GCP	PLR	M-B													14	15				SALEABLE					
KEY A, BLACK	33482-8833	A-BLK	GCP	PLR	M-B		2						8		10	11					15	16	SALEABLE					
KEY A, BLACK	33482-8834	A-BLK	GCP	PLR	M-B										10	11						15	SALEABLE					
KEY A, BLACK	33482-8835	A-BLK	GCP	PLR	M-B	1							8		10	11						15	SALEABLE					
KEY A, BLACK	33482-8836	A-BLK	GCP	PLR	M-B	1	2	3	4	5	6	7	8		10	11						15	SALEABLE					
KEY A, BLACK	33482-8837	A-BLK	GCP	PLR	M-B	1							8	9	10	11						15	16	SALEABLE				
KEY A, BLACK	33482-8838	A-BLK	GCP	PLR	M-B									9	10	11						15	16	SALEABLE				
KEY A, BLACK	33482-8839	A-BLK	GCP	PLR	M-B	1	2	3	4	5	6	7	8										SALEABLE					







TABLE OF CONTENTS	
SHEET NO.	SHEET DESCRIPTION
1	NOTES
2	KEY CONFIGURATIONS
3	BLADE SEALED ASSEMBLY
4	SYSTEM PACKAGING
5	BOM



NOTES: VALID UNLESS OTHERWISE SPECIFIED

1. GENERAL:  
 a. APPLICATION SPECIFICATION SEE: AS-33472-100  
 CONTAINS: PRODUCT INTRODUCTION, PRODUCT SUMMARY, CONNECTOR ASSEMBLY, PACKAGING INFORMATION, CONNECTOR MATING, SERVICE INSTRUCTIONS, ELECTRICAL CONTINUITY CHECKING, CRIMPING, AND TROUBLESHOOTING.  
 -DESIGNED TO MATE WITH RECEPTACLE SEALED ASSEMBLY SPECIFIED IN MOLEX DRAWING SD-33472-041.  
 -FOR 15mm BLADE TERMINALS TO BE USED WITH THIS ASSEMBLY SEE MOLEX DRAWING SD-33000-001.  
 - SYSTEM TO BE USED WITH WIRE WITH DIAMETER RANGE OF 1.4mm TO 2.69mm.  
 -ASSEMBLY SHIPPED WITH PLR IN PRE-LOCK POSITION  
 -IN THE EVENT THAT THE PLR IS FOUND IN THE SEATED (FINAL LOCK) POSITION, REFER TO MOLEX SPECIFICATION PS-34646-001, AVAILABLE AT [www.molex.com](http://www.molex.com) <<http://www.molex.com>>  
 -ASSEMBLY CONFORMS TO SAE/USCAR-2 REV.4 WITH THE FOLLOWING EXCEPTIONS:  
 TERMINAL INSERTION FORCE FOR WIRE DIAMETER ABOVE 2.5mm NOT EXCEEDING 2.69mm SHALL NOT EXCEED 45 NEWTONS.  
 b. PRODUCT SPECIFICATION SEE: PS-33472-000  
 CONTAINS: PRODUCT INTRODUCTION, PRODUCT SUMMARY, RATINGS (CURRENT, TEMPERATURE, SEALING, AND FLAMMABILITY), AND PRODUCT VALIDATION.  
 c. PACKAGING SPECIFICATION PER MOLEX DRAWING: PK-31300-635  
 d. PARTS MUST BE IN COMPLIANCE TO MOLEX CHEMICAL SUBSTANCES FOR PRODUCTS AND PACKAGING SPECIFICATION: ES-40000-5016  
 e. DATA MUST BE SUBMITTED UNDER THE MOLEX PART NUMBER TO IMDS (COMPANY ID#13255)

2. DESIGN - MATERIALS:  
 a. CONNECTOR HOUSING, GROMMET CAP, PLR: SPS/NYLON 20% GLASS FILLED  
 b. MAT SEAL: INTERNALLY LUBRICATED SILICONE

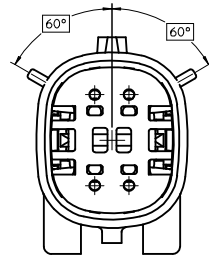
3. DESIGN - GEOMETRY:  
 a. THIS IS A 100% CAD GENERATED PART. THE CAD MATHEMATICAL DATA IS THE MASTER FOR THIS PART. FOR DIMENSIONAL OR ANY INFORMATION NOT SHOWN ON THIS DRAWING, ANALYZE THE CAD MODEL.  
 b. GEOMETRIC DIMENSIONS AND TOLERANCES PER ASME Y14.5M - 1994  
 c. EDGES AND UNDIMENSIONED DETAILS PER ISO13715  
 d. CORNERS SHOWN AS SHARP TO BE R 0.2 MAX.  
 e. LETTERING SHALL BE 0.15 MAX RAISED IN 0.25 MAX RECESS PAD. THIS INCLUDES RECYCLING CODE, CAVITY ID, VENDOR IDENTIFICATION, AND CUSTOMER MATERIAL NUMBER.  
 f. VISUAL DEFECTS SHALL MEET COSMETIC STANDARD PS-45499-002 (Class B)  
 g. LASER MARKING: TBD

INSPECTION NUMBER LOG  
 LAST NUMBER USED:  
 ADDED:  
 REMOVED:

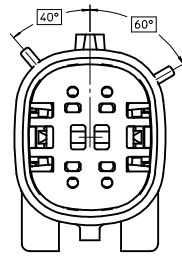
REV	DESCRIPTION
V	UPDATED STATUS AND COMMENTS COLUMNS
U	ADD NEW P/N 33482-4417
T	ADD NEW P/N 33482-4415 33482-4416
S	ADD NEW P/N 33482-4413
R	ADD NEW P/N 33482-4412
Q	UPDATED GROMMET CAP
P3	UPDATED DIMENSIONS
P2	UPDATED DIMENSIONS TO MATCH MODEL
P1	UPDATED NOTES
P	REDRAWN

REVISED EC NO: UALU2016-0465 DRAWN BY: DRWN:APROFFITT CHECKED BY: CHYK:KORUSZESKI APPROVED BY: APPR:IKOSHY	QUALITY SYMBOLS	GENERAL TOLERANCES (UNLESS SPECIFIED)	DIMENSION STYLE	SCALE	DESIGN UNITS	THIRD ANGLE PROJECTION	
	▽=0	mm INCH	MM ONLY	3:1	METRIC	☉	
	▽=0	4 PLACES ± --- ± --- 3 PLACES ± --- ± --- 2 PLACES ± 0.10 ± --- 1 PLACE ± 0.3 ± --- 0 PLACE ± ±	DRAWN BY: DATE MYANSLAMBROU 04-27-06 CHECKED BY: DATE DGRIFFI THS 06-22-06 APPROVED BY: DATE SMARCEAU 06-22-06	TITLE	MX150 2X2 BLADE SEALED ASSEMBLY MAT SEAL		
	▽=0	ANGULAR ± 3 ° DRAFT WHERE APPLICABLE MUST REMAIN WITHIN DIMENSIONS	MATERIAL NO. SEE BOM	DOCUMENT NO. SD-33482-041	molex		

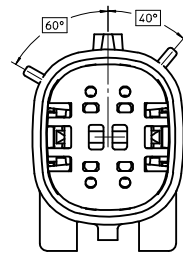
KEY CONFIGURATIONS



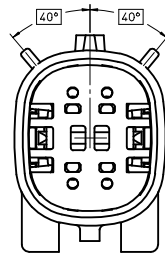
KEY A



KEY B



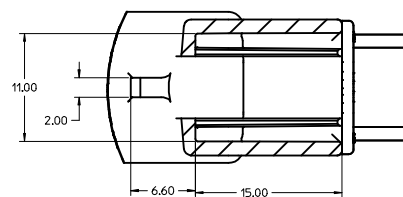
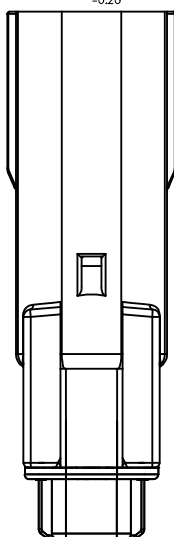
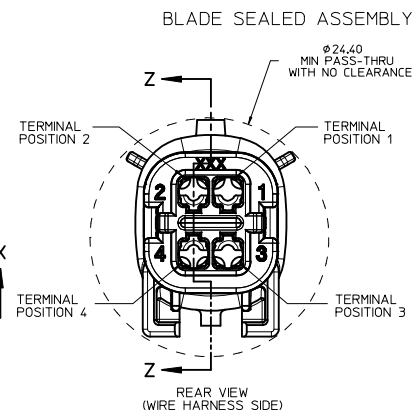
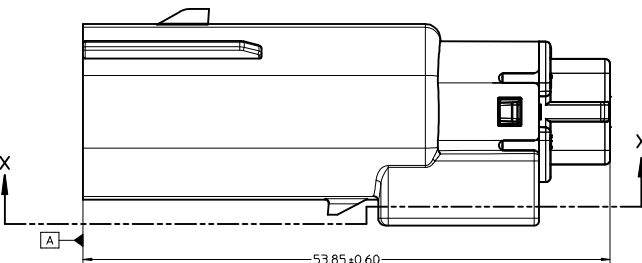
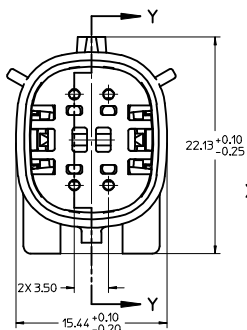
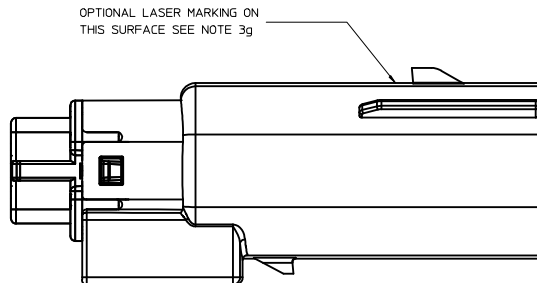
KEY C



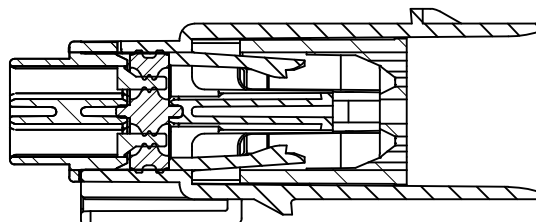
KEY D

REVISED IEC NO. UAU2016-0465 DRAWN: PROFFITT 2015/10/06 CHECKED: BRUSZENSKI 2015/10/06 APPR: IKOSHY 2015/10/07	QUALITY SYMBOLS	GENERAL TOLERANCES (UNLESS SPECIFIED)	DIMENSION STYLE	SCALE	DESIGN UNITS	THIRD ANGLE PROJECTION
	▽=0	mm INCH	MM ONLY	4:1	METRIC	☉
	▽=0	4 PLACES ± --- ± ---	DRAWN BY	DATE	TITLE	
	▽=0	3 PLACES ± 0.10 ± ---	MYANSLAMBROU	04-27-06	MX150 2X2 BLADE SEALED ASSEMBLY MAT SEAL	
▽=0	2 PLACES ± 0.3 ± ---	1 PLACE ± ±	CHECKED BY	DATE	MATERIAL NO.	
	ANGULAR ± 3 °	DRAFT WHERE APPLICABLE MUST REMAIN WITHIN DIMENSIONS	DGRIFITHS	06-22-06	SD-33482-041	
			APPROVED BY	DATE	DOCUMENT NO.	
			SMARCEAU	06-22-06	SD-33482-041	
			SIZE	THIS DRAWING CONTAINS INFORMATION THAT IS PROPRIETARY TO MOLEX INCORPORATED AND SHOULD NOT BE USED WITHOUT WRITTEN PERMISSION		
			D	SHEET NO. 2 OF 5		



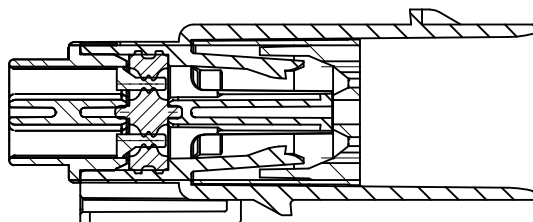


PARTIAL X-X  
SCALE 4:1



PRIMARY LOCK REINFORCER (PLR) SHOWN  
IN PRE-STAGED POSITION

SECTION Z-Z



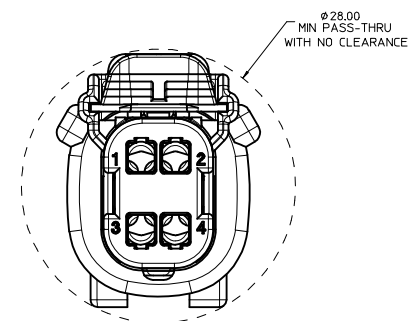
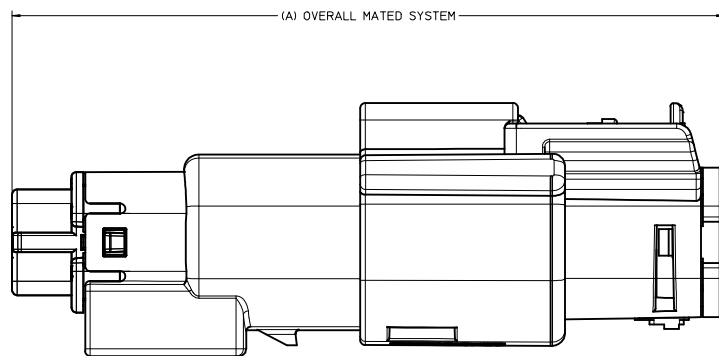
PRIMARY LOCK REINFORCER (PLR) SHOWN  
IN FINAL LOCK POSITION

SECTION Y-Y

<b>REVISED</b> IEC NO. UAU2016-0465 DRAWN BY: 2015/10/06 CHYKORUSZENSKI 2015/10/06 APPR: WOSHY 2015/10/07	QUALITY SYMBOLS	GENERAL TOLERANCES (UNLESS SPECIFIED)	DIMENSION STYLE	SCALE	DESIGN UNITS	THIRD ANGLE PROJECTION
	∇=0 ∇=0 ∇=0	4 PLACES ± mm ± INCH 3 PLACES ± --- ± --- 2 PLACES ± 0.10 ± --- 1 PLACE ± 0.3 ± --- 0 PLACE ± ±	MM ONLY	4:1	METRIC	☉ THIRD ANGLE PROJECTION
	MATERIAL NO. SEE BOM	DRAFT WHERE APPLICABLE MUST REMAIN WITHIN DIMENSIONS	DRAWN BY: MYANSLAMBROU CHECKED BY: DGRIFITHS APPROVED BY: SMARCEAU	DATE: 04-27-06 DATE: 06-22-06 DATE: 06-22-06	TITLE: MX150 2X2 BLADE SEALED ASSEMBLY MAT SEAL	DOCUMENT NO.: SD-33482-041
	SHEET NO.: 3 OF 5	THIS DRAWING CONTAINS INFORMATION THAT IS PROPRIETARY TO MOLEX INCORPORATED AND SHOULD NOT BE USED WITHOUT WRITTEN PERMISSION				

20 19 18 17 16 15 14 13 12 11 10 9 8 7 6 5 4 3 2 1

SYSTEM PACKAGING



CHARTED DIMENSIONS		
RECEPTACLE ASSY PART NUMBER	CONFIGURATION	A
33472-0401 THRU 33472-0452	MX150 2X2 RECEPTACLE SEALED ASSEMBLY - STANDARD	72.78
33472-4401 THRU 33472-4412	MX150 2X2 RECEPTACLE SEALED ASSEMBLY - LENGTHENED	77.21

<b>REVISED</b> IEC NO. UAU2016-0465 DRAWN/PROFIT 2015/10/06 CHYKORUSZENSKI 2015/10/06 APPR:VKOSHY 2015/10/07	QUALITY SYMBOLS ∇=0 ∇=0 ∇=0	GENERAL TOLERANCES (UNLESS SPECIFIED) mm INCH 4 PLACES ± --- ± --- 3 PLACES ± --- ± --- 2 PLACES ± 0.10 ± --- 1 PLACE ± 0.3 ± --- 0 PLACE ± ± ANGULAR ± 3 ° DRAFT WHERE APPLICABLE MUST REMAIN WITHIN DIMENSIONS	DIMENSION STYLE MM ONLY DRAWN BY DATE MYANSLAMBROU 04-27-06 CHECKED BY DATE DGRIFITHS 06-22-06 APPROVED BY DATE SMARCEAU 06-22-06	SCALE 4:1 DESIGN UNITS METRIC THIRD ANGLE PROJECTION	TITLE MX150 2X2 BLADE SEALED ASSEMBLY MAT SEAL <b>molex</b>	MATERIAL NO. SEE BOM	DOCUMENT NO. SD-33482-041	SHEET NO. 4 OF 5

19 18 17 16 15 14 13 12 11 10 9 8 7 6 5 4 3 2 1

ASSEMBLY PART NUMBER	COLOR	KEYING OPTION	CAVITY TYPE & STATUS (X = PLUGGED)				STATUS	COMMENTS
			1	2	3	4		
33482-0401	BLACK	A						
33482-0402	LIGHT GRAY	B						
33482-0403	BROWN	C						
33482-0404	GREEN	D						
33482-0406	BLACK	A		X				
33482-0407	LIGHT GRAY	B		X				
33482-0408	BROWN	C		X				
33482-0409	GREEN	D		X				
33482-0411	BLACK	A		X	X			
33482-0412	LIGHT GRAY	B		X	X			
33482-0413	BROWN	C		X	X			
33482-0414	GREEN	D		X	X			
33482-0416	BLACK	A	X	X	X	X		
33482-0417	LIGHT GRAY	B	X	X	X	X		
33482-0418	BROWN	C	X	X	X	X		
33482-0419	GREEN	D	X	X	X	X		
33482-0421	BLACK	A	X	X	X			
33482-0422	BLACK	A					X	
33482-0423	BLACK	A				X	X	
33482-0424	BLACK	A				X		
33482-0425	BLACK	A	X	X				
33482-4403	DARK GRAY	C						
33482-4404	STONE GRAY	D						
33482-4405	DARK GRAY	C		X				
33482-4406	STONE GRAY	D		X				
33482-4407	DARK GRAY	C		X	X			
33482-4408	STONE GRAY	D		X	X			
33482-4409	DARK GRAY	C	X	X	X	X		
33482-4410	STONE GRAY	D	X	X	X	X		
33482-4411	BLACK	A		X		X		
33482-4412	YELLOW	A						
33482-4413	LIGHT GRAY	B	X					
33482-4415	BLACK	A	X		X			
33482-4416	DARK GRAY	C		X		X		
33482-4417	LIGHT GRAY	B		X		X		

PLANNED OBSOLESCENCE  
SEE DRAWING SD-33482-0002  
FOR REPLACEMENT P/N

REPLACEMENT P/N'S ARE:  
33482-04XX TO 33482-40XX  
33482-44XX TO 33482-41XX

<b>REVISED</b> IEC NO. UAU2016-0465 DRAWN APPROFIT 2015/10/06 CHYKORUSZENSKI 2015/10/06 APPR:VKOSHY 2015/10/07	QUALITY SYMBOLS	GENERAL TOLERANCES (UNLESS SPECIFIED)	DIMENSION STYLE	SCALE	DESIGN UNITS	THIRD ANGLE PROJECTION
	▽=0	mm INCH	MM ONLY	DATE	METRIC	☉
	▽=0	4 PLACES ± 0.10	4 PLACES ± 0.004	MYANSLAMBROU 04-27-06		
	▽=0	3 PLACES ± 0.03	3 PLACES ± 0.001	DGRIFITHS 06-22-06		
		ANGULAR ± 3°	APPROVED BY			
		DRAFT WHERE APPLICABLE MUST REMAIN WITHIN DIMENSIONS	SMARCEAU 06-22-06			
			MATERIAL NO.	DOCUMENT NO.		
			SEE BOM	SD-33482-041		
						SHEET NO. 5 OF 5

**MX150 2X2 BLADE SEALED ASSEMBLY MAT SEAL**



THIS DRAWING CONTAINS INFORMATION THAT IS PROPRIETARY TO MOLEX INCORPORATED AND SHOULD NOT BE USED WITHOUT WRITTEN PERMISSION