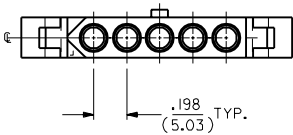
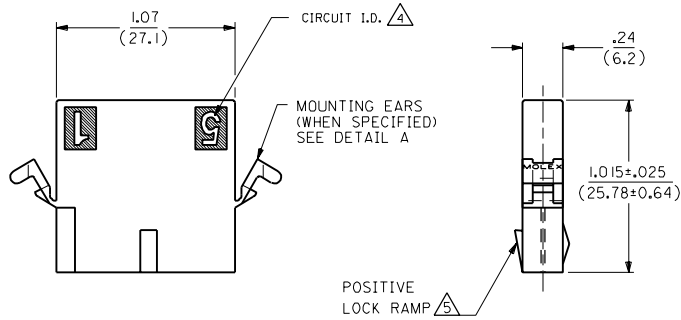
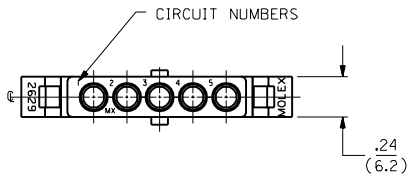
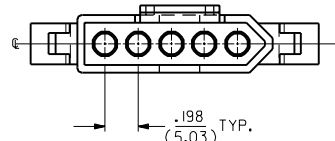
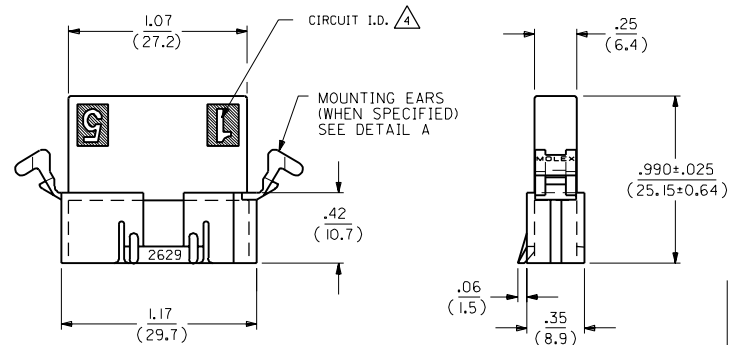
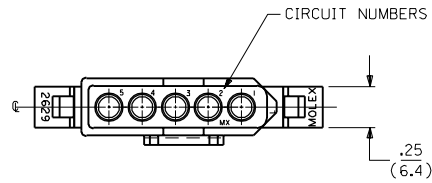


RECEPTACLE



VIEW OF RECEPTACLE VERSION
WITH PASSIVE LOCK RAMPS

PLUG



J	REVISED PER ECN # U61508 05/31/96 CM
I	X-REMOVE -R2 ECN # U6 1080 3-6-96 RW
K	ADD PASSIVE LOCKS ECN # U5 0529 11-30-94 RW
J	ADD -P2 W/EDP # ECR U3 0450 GC 4/1/93 RW
I	X-REMOVE ECR U2 1105 GC 1/29/92 RW
HI	ADD -C MAT'L PER ECR U2 0741 GC 5/7/92 RW
H	REVISE PER ECR U1 2237 GC 1/9/92 RW
G	REVISED & REDRAWN ECR # UB1801 KBW 02-03-89 RW

2	J	
1	J	
MFG.	SH.	REV.
		LTR.

DIMENSIONS SHOWN METRIC (INCH) $\nabla = 0$ $\blacktriangledown = 0$

UNLESS OTHERWISE SPECIFIED TOLERANCES: ANGULAR \pm DR8

INCH	METRIC
3 PLACE \pm .010	---
2 PLACE \pm .014	\pm 0.25
1 PLACE ---	\pm 0.35

DRAFT WHERE APPLICABLE MUST REMAIN WITHIN DIMENSIONS

TITLE: .093/(2.36) HOUSINGS PLUG & RECEPTACLE 5 CIRCUIT \pm .198/(5.03) $\text{\textcircled{C}}$

MOLEX INCORPORATED L15LEJLL 60532 U.S.A.

SHEET NO. 1 OF 2 DATE 2/3/89

PART NO. SEE CHART DRWG. NO. SD-2629-*

DRWG. BY KBW CHKD. BY RW FILE NAME S26295X1 D001 SCALE 2:1

THIS DRAWING CONTAINS INFORMATION THAT IS PROPRIETARY TO MOLEX INC. AND SHOULD NOT BE USED WITHOUT WRITTEN PERMISSION.

13	12	11	10	9	8	7	6	2629	4	3	2	1
PLUG		RECEPTACLE										
ORDER NO	ENG NO	ORDER NO	ENG NO									
03-09-2057	2629-P1	03-09-1057	2629-R1									
PRELIMINARY	2629-P	PRELIMINARY	2629-R									
		03-09-1054	2629-R2									

LEGEND:

2629-****-*

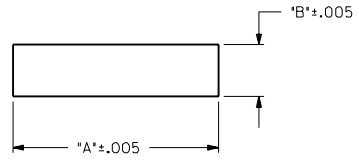
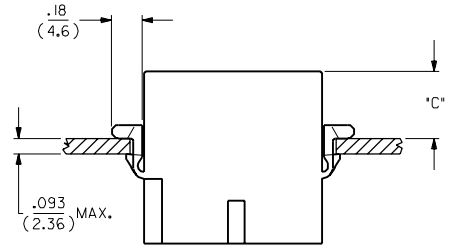
TYPE: _____
P = PLUG
R = RECEPTACLE

PLUG FEATURES: _____
BLANK = WITH PREBENT EARS
1 = WITHOUT EARS

RECEPTACLE FEATURES: _____
BLANK = WITH PREBENT EARS, WITH POSITIVE LOCK RAMP
1 = WITHOUT EARS, WITH POSITIVE LOCK RAMP
2 = WITHOUT EARS, WITH PASSIVE LOCK RAMPS

COLOR: _____
BLANK = NATURAL COLOR
AM = AMBER BK = BLACK BU = BLUE
BN = BROWN GY = GRAY GN = GREEN
OR = ORANGE RD = RED YW = YELLOW

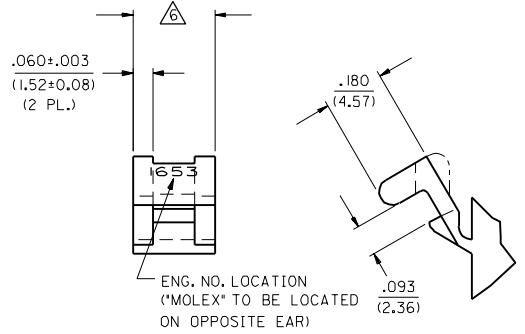
MATERIAL: _____
BLANK = NYLON TYPE 66, 94V-2 PER SMES-128-A-*



RECOMMENDED PANEL OPENING

HOUSING	DIM. 'A'	DIM. 'B'	'C' PREBENT EAR
PLUG	1.33/(13.78)	.42/(10.67)	.40/(10.1)
RECEPT.	1.23/(31.24)	.31/(7.87)	.42/(10.6)

- NOTES:
- MOLEX PRODUCT SPEC 02-09 APPLIES.
 - 2629-P* (PLUG) WILL ACCEPT 2629-R* 5 CIRCUIT RECEPTACLES OR 1490-R* 4 CIRCUIT RECEPTACLE.
 - ACCEPTS MOLEX .093 SERIES TERMINALS.
 - CIRCUIT I.D. NUMBERS ON HOUSING APPEAR ON PARTS FROM TOOLS BUILT AFTER 1/6/92.
 - LOCK RAMP ON THIS SIDE OF PART AVAILABLE IN EITHER A POSITIVE LOCK RAMP OR PASSIVE LOCK RAMP STYLE.
 - FOR DIMENSION, SEE SHEET 1.



DETAIL A
.093/(2.36) PREBENT MOUNTING EAR
(SCALE 4:1)

		I	SEE SHEET I	DIMENSIONS SHOWN METRIC INCH		▽=0	▼=0	REVISE ONLY ON CAD SYSTEM
		K	SEE SHEET I	UNLESS OTHERWISE SPECIFIED TOLERANCES: ANGULAR ± .04°		TITLE		
		J	SEE SHEET I	INCH METRIC		.093/(2.36) HOUSINGS		
		I	SEE SHEET I	3 PLACE ± .010	---	PLUG & RECEPTACLE		
		HI	SEE SHEET I	2 PLACE ± .014	± 0.25	5 CIRCUIT .198/(5.03)C		
		H	SEE SHEET I	1 PLACE ---	± 0.35	MOLEX INCORPORATED		
		J	SEE SHEET I	DRAFT WHERE APPLICABLE MUST REMAIN WITHIN DIMENSIONS		L15LEJLL 60532 U.S.A.		
		LTR.	REVISIONS	DRWG. BY: KBW		PART NO. SEE CHART		DRWG. NO. SD-2629-*
		LTR.	REVISIONS	CHKD. BY: RW		FILE NAME 526295X2		DATE 2/3/89
				APP'D. BY: RAS		SCALE 2:1		SIZE CP C