

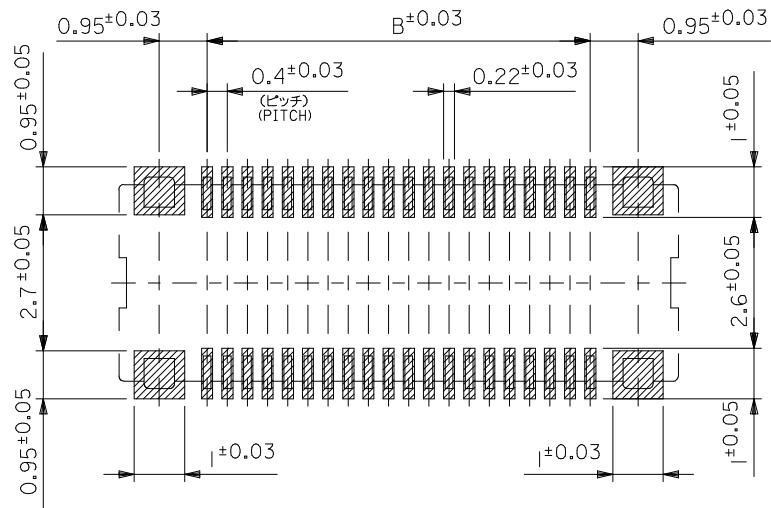
注記 NOTES

1. 使用材料 MATERIAL
 ハウジング : 液晶ポリマー (LCP) UL94V-0 (黒)
 HOUSING: LIQUID CRYSTAL POLYMER UL94V-0 (COLOR: BLACK)
 ターミナル : リン青銅
 TERMINAL : PHOSPHOR BRONZE
 補強金具 : リン青銅
 FITTING NAIL : PHOSPHOR BRONZE
2. メッキ仕様 PLATING
 ターミナル TERMINAL
 コンタクト部 : 部分金めっき ($0.2 \mu\text{m}$ 以上)
 CONTACT AREA : SEPARATED GOLD PLATING (0.2 MICROMETER MINIMUM)
 テール部 : 部分金めっき
 SOLDER TAIL AREA : SEPARATED GOLD PLATING
 下地 : ニッケルめっき ($1.5 \mu\text{m}$ 以上)
 UNDERPLATE : NICKEL OVERALL (1.5 MICROMETER MINIMUM)
 ※コンタクト部とテール部はニッケルメッキによって分断されている金メッキです。
 *DIVIDE INTO PARTS THE GOLD PLATING OF THE CONTACT AND THE TAIL PART BY THE NICKEL PLATING.
 補強金具 FITTING NAIL
 テール部 : 錫メッキ ($1.0 \mu\text{m}$ 以上)
 SOLDER TAIL AREA : TIN PLATING (1.0 MICROMETER MINIMUM)
 下地 : ニッケルめっき ($1.0 \mu\text{m}$ 以上)
 UNDERPLATE : NICKEL OVERALL (1.0 MICROMETER MINIMUM)
- △ (金極数 / 2) = 偶数の場合に適用。
 APPLY FOR (CIRCUIT/2) = EVEN.
4. 嵌合相手 : 55909 シリーズ
 MATE WITH : 55909 SERIES.
5. テール及び金具の平坦度は、 0.1 以下
 TAIL AND FITTING NAIL COPLANARITY TO BE 0.1 MAXIMUM.
6. ELV & RoSH 適合品
 ELV and RoSH COMPLIANT

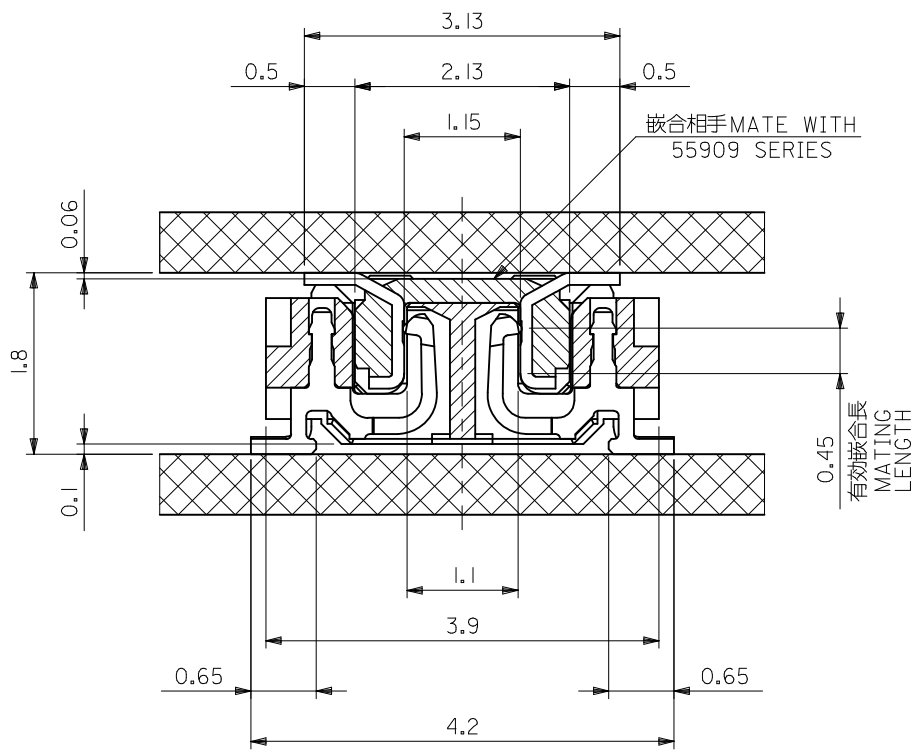
21.5	19.6	23.1	500913-1002	100
19.5	17.6	21.1	500913-0902	90
15.5	13.6	17.1	500913-0702	70
13.5	11.6	15.1	500913-0602	60
11.5	9.6	13.1	500913-0502	50
9.5	7.6	11.1	500913-0402	40
7.5	5.6	9.1	500913-0302	30
6.3	4.4	7.9	500913-0242	24
C	B	A	EMBOSSED TAPE PACKAGE	極数
				オーダー番号 ORDER NO.
				CIRCUIT

CONNECTOR SERIES No. : 500913-***8

REVISED EC NO: J2015-0494 DRWN: NAITO 2014/10/10 CHKD: TASAKAWA 2014/10/10 APPR: KMORIKAWA 2014/10/10	GENERAL TOLERANCES (UNLESS SPECIFIED)		DIMENSION STYLE MM ONLY		SCALE 10:1	DESIGN UNITS METRIC	THIRD ANGLE PROJECTION
	10 UNDER	± ---	DRAWN BY R. SUMIYA	DATE 2004/04/19	TITLE 0.4 B-TO-B CONN REC HSG ASSY (HGT=1.8MM) -LEAD FREE-		
	10 OVER 30 UNDER	± ---	CHECKED BY M. SASAO	DATE 2004/04/19			
	30 OVER	± ---	APPROVED BY M. SASAO	DATE 2004/04/19			
ANGULAR	± --- °	MATERIAL NO. SEE CHART		DOCUMENT NO. SD-500913-001		SHEET NO. 1 OF 2	
DRAFT WHERE APPLICABLE MUST REMAIN WITHIN DIMENSIONS		THIS DRAWING CONTAINS INFORMATION THAT IS PROPRIETARY TO MOLEX INCORPORATED AND SHOULD NOT BE USED WITHOUT WRITTEN PERMISSION					

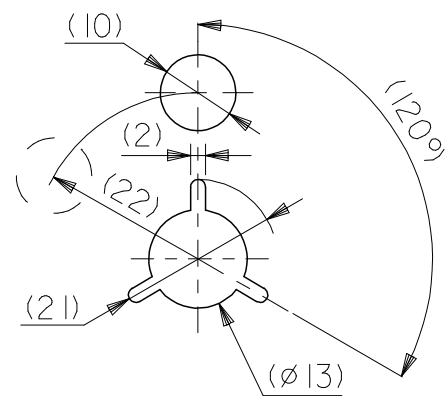
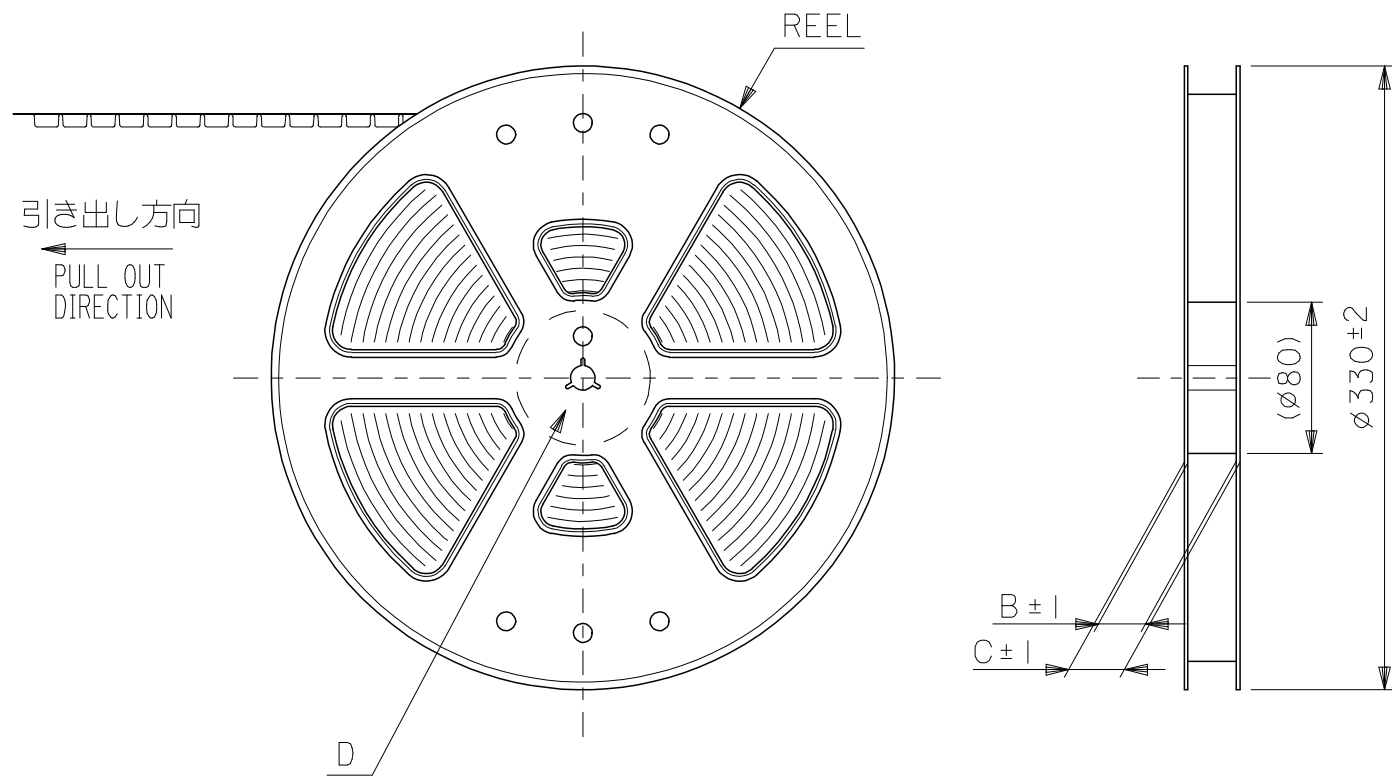


参考基板レイアウト (マウント面)
 P.C.BOARD PATTERN DIMENSION. (REFERENCE)
 (MOUNTING AREA)



嵌合断面図 (参考)
 MATED DRAWING (REFERENCE)

REVISED EC NO: J2015-0494 DRWN:NAITO 2014/10/10 CHKD:TASAKAWA 2014/10/10 APPR:KMORIKAWA 2014/10/10	GENERAL TOLERANCES (UNLESS SPECIFIED)		DIMENSION STYLE MM ONLY	SCALE ---	DESIGN UNITS METRIC	THIRD ANGLE PROJECTION
	10 UNDER	±---	DRAWN BY R. SUMIYA	DATE 2004/04/19	TITLE 0.4 B-TO-B CONN REC HSG ASSY (HGT=1.8MM) -LEAD FREE-	
	10 OVER 30 UNDER	±---	CHECKED BY M. SASAO	DATE 2004/04/19		
	30 OVER	±---	APPROVED BY M. SASAO	DATE 2004/04/19		
ANGULAR ±--- °	DRAFT WHERE APPLICABLE MUST REMAIN WITHIN DIMENSIONS		MATERIAL NO. SEE SHEET 1	DOCUMENT NO. SD-500913-001	SHEET NO. 2 OF 2	
			SIZE A3	THIS DRAWING CONTAINS INFORMATION THAT IS PROPRIETARY TO MOLEX INCORPORATED AND SHOULD NOT BE USED WITHOUT WRITTEN PERMISSION		



DETAIL D

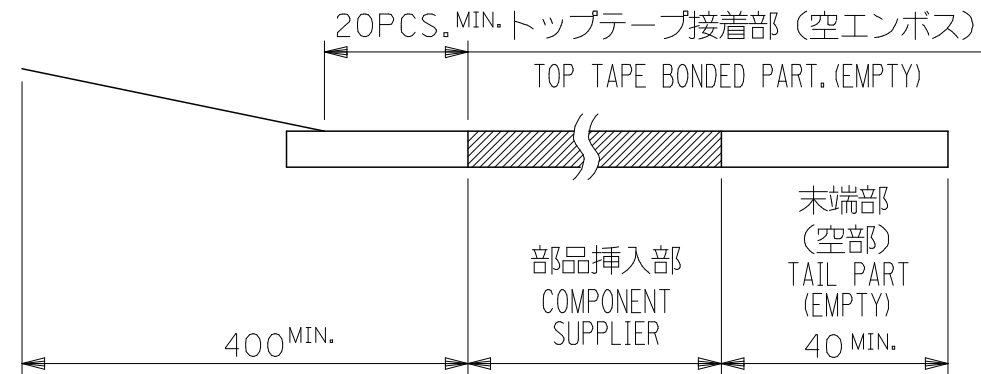
NOTES

1. 製品詳細寸法については製品単体図面SD-500913-001を参照下さい。
 RE DETAILED DIMENSION, SEE PRODUCT DRAWING NO. SD-500913-001.

2. 梱包数量：1500個/リール
 NUMBER OF CONNECTORS : 1500PCS/REEL

3. リードテープ長さ LEAD TAPE LENGTH
 20PCS. MIN. トップテープ接着部 (空エンボス)

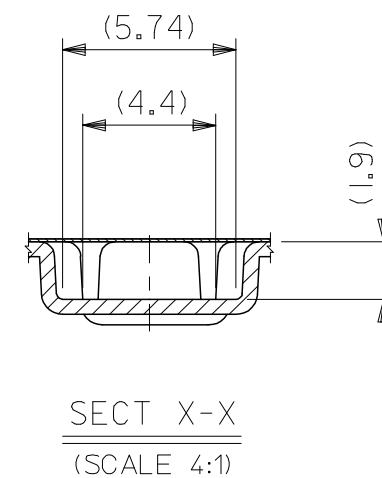
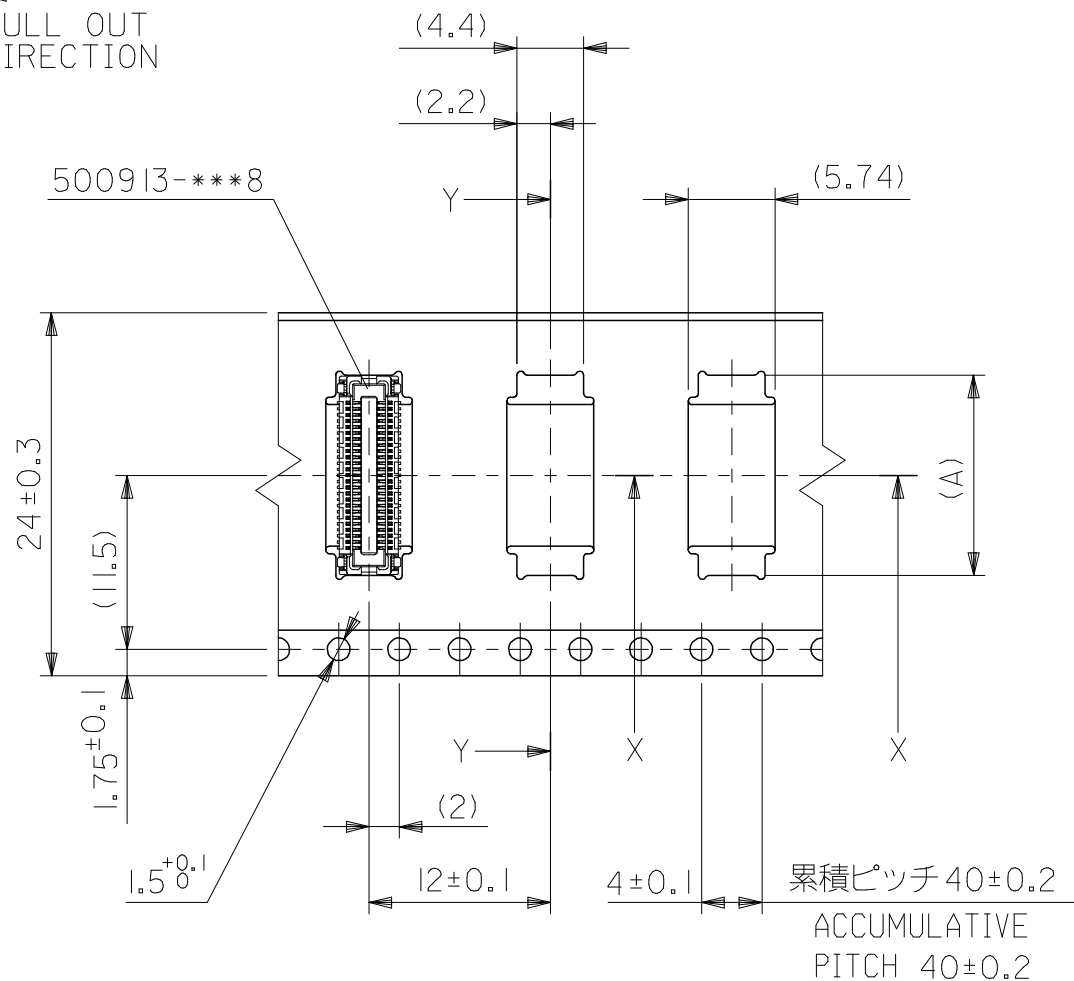
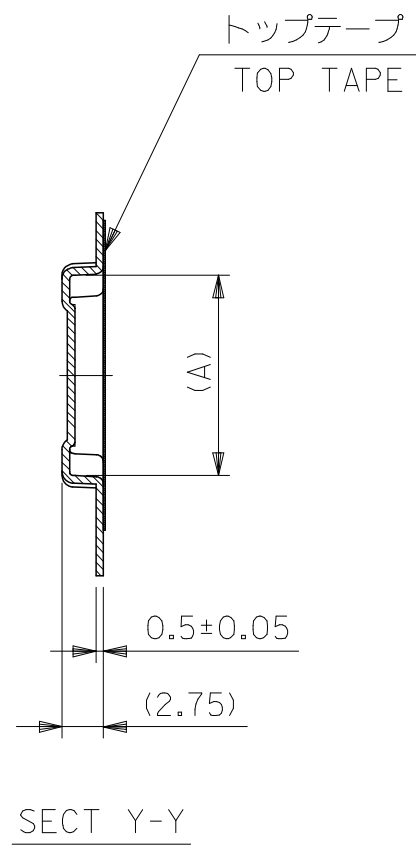
引き出し方向
 PULL OUT DIRECTION



4. 材料 MATERIAL
 キャリアテープ (CARRIER TAPE) : ポリプロピレン (POLYPROPYLENE)
 トップテープ (TOPTAPE) : PET , PE , PEF
 リール (REEL) : ポリスチレン (PS) <リサイクル材を含む>
 POLYSTYRENE (PS) <RECYCLE MATERIAL CONTAINED>

REVISED EC NO: J2007-1419 DRWN: MNABEI 2006/11/16 CHKD: KTOYODA 2006/11/20 APPR: NUKITA 2006/11/21	DESCRIPTION	GENERAL TOLERANCES (UNLESS SPECIFIED)		DIMENSION STYLE MM ONLY		500913-***2		MODEL NO.		
		10 UNDER ± ---		DRAWN BY DATE R. SUMIYA 2004/04/19		SCALE ---	DESIGN UNITS METRIC	THIRD ANGLE PROJECTION		
		10 OVER 30 UNDER ± ---		CHECKED BY DATE M. SASAO 2004/04/19		TITLE 0.4 B-TO-B REC HSG ASSY (HGT=1.8) EMBSTP PKG -LEAD FREE-				
		30 OVER ± ---		APPROVED BY DATE M. SASAO 2004/04/19		MOLEX MOLEX INCORPORATED				
		ANGULAR ± --- °		MATERIAL NO.		SEE CHART		DOCUMENT NO. SD-500913-002		SHEET NO. 1 OF 4
DRAFT WHERE APPLICABLE MUST REMAIN WITHIN DIMENSIONS		SIZE A3		THIS DRAWING CONTAINS INFORMATION THAT IS PROPRIETARY TO MOLEX INCORPORATED AND SHOULD NOT BE USED WITHOUT WRITTEN PERMISSION						

引き出し方向
PULL OUT
DIRECTION

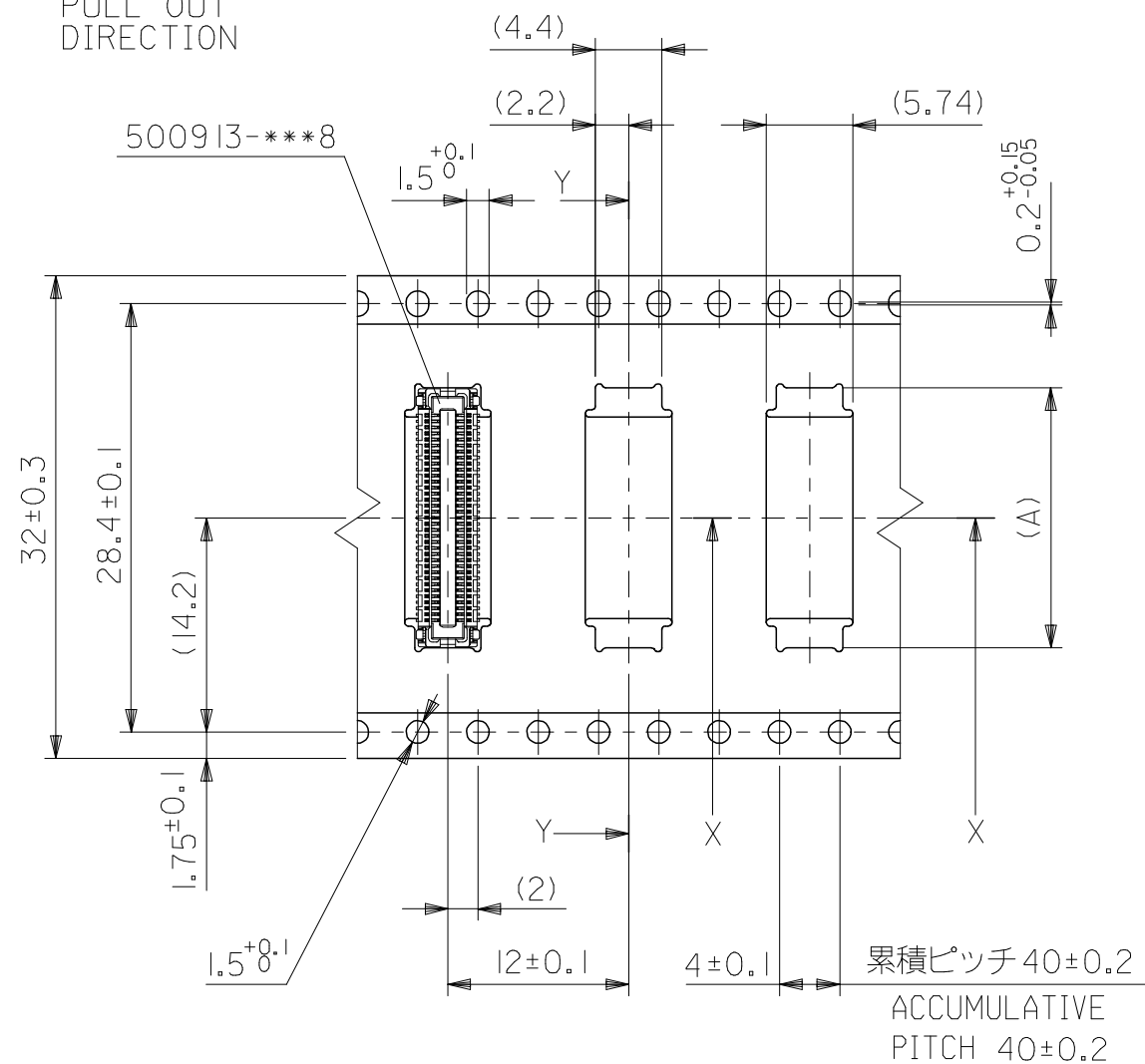
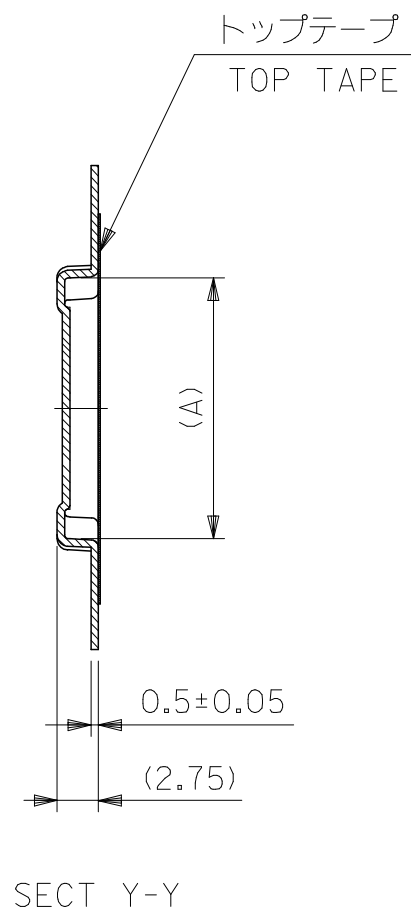


24mm幅キャリアテープ
24mm WIDTH CARRIER TAPE

24	29.4	25.4	15.26	500913-0602	60
			13.26	500913-0502	50
			11.26	500913-0402	40
			9.26	500913-0302	30
			8.06	500913-0242	24
キャリアテープ幅 CARRIER TAPE WIDTH	C	B	(A)	MATERIAL NO.	CIRCUIT

REVISED EC NO: J2007-1419 DRWN: MNABEI CHKD: KTOYODA APPR: NUKITA	DESCRIPTION	GENERAL TOLERANCES (UNLESS SPECIFIED)		DIMENSION STYLE MM ONLY		500913-****2		MODEL NO.	
		10 UNDER	±---	DRAWN BY R. SUMIYA	DATE 2004/04/19	SCALE 2:1	DESIGN UNITS METRIC	THIRD ANGLE PROJECTION	
		10 OVER 30 UNDER	±---	CHECKED BY M. SASAO	DATE 2004/04/19	TITLE 0.4 B-TO-B REC HSG ASSY (HGT=1.8) EMBSTP PKG -LEAD FREE-			
		30 OVER	±---	APPROVED BY M. SASAO	DATE 2004/04/19	MOLEX INCORPORATED			
		ANGULAR	±--- °	MATERIAL NO. SEE CHART		DOCUMENT NO. SD-500913-002	SHEET NO. 2 OF 4		
	DRAFT WHERE APPLICABLE MUST REMAIN WITHIN DIMENSIONS	SIZE A3	THIS DRAWING CONTAINS INFORMATION THAT IS PROPRIETARY TO MOLEX INCORPORATED AND SHOULD NOT BE USED WITHOUT WRITTEN PERMISSION						

引き出し方向
PULL OUT
DIRECTION



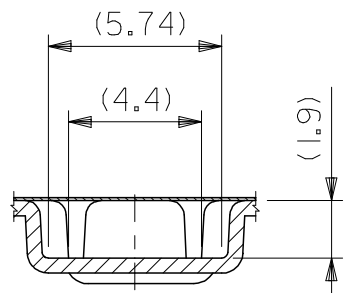
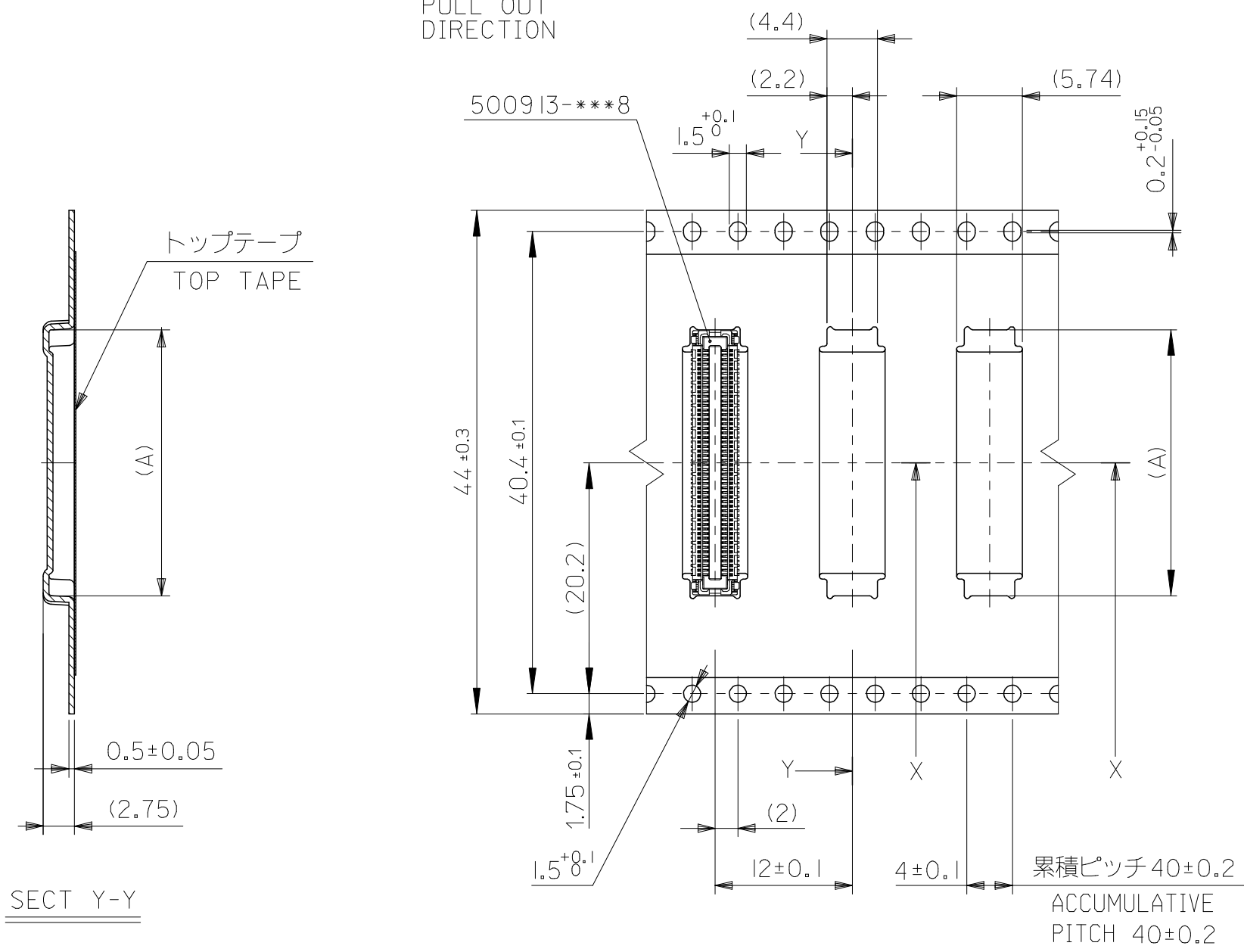
32mm幅キャリアテープ
32mm WIDTH CARRIER TAPE

32	41.4	37.4	21.26	500913-0902	90
	37.4	33.4	17.26	500913-0702	70
キャリアテープ幅 CARRIER TAPE WIDTH	C	B	(A)	MATERIAL NO.	CIRCUIT

500913-***2 MODEL NO.
SCALE 2:1 DESIGN UNITS METRIC THIRD ANGLE PROJECTION

REVISED EC NO: J2007-1419 DRWN: MNABEI 2006/11/16 CHKD: KTOYODA 2006/11/20 APPR: NUKITA 2006/11/21	GENERAL TOLERANCES (UNLESS SPECIFIED)	DIMENSION STYLE MM ONLY	TITLE		
	10 UNDER ±---	DRAWN BY R. SUMIYA DATE 2004/04/19	0.4 B-TO-B REC HSG ASSY (HGT=1.8) EMBSTP PKG -LEAD FREE-		
	10 OVER 30 UNDER ±---	CHECKED BY M. SASAO DATE 2004/04/19	MOLEX INCORPORATED		
	30 OVER ±---	APPROVED BY M. SASAO DATE 2004/04/19	DOCUMENT NO. SD-500913-002	SHEET NO. 3 OF 4	
	ANGULAR ±--- °	MATERIAL NO. SEE CHART	THIS DRAWING CONTAINS INFORMATION THAT IS PROPRIETARY TO MOLEX INCORPORATED AND SHOULD NOT BE USED WITHOUT WRITTEN PERMISSION		
DRAFT WHERE APPLICABLE MUST REMAIN WITHIN DIMENSIONS	SIZE A3				

引き出し方向
PULL OUT
DIRECTION



SECT X-X
(SCALE 4:1)

SECT Y-Y

44 mm幅キャリアテープ
44 mm WIDTH CARRIER TAPE

累積ピッチ 40±0.2
ACCUMULATIVE
PITCH 40±0.2

44	49.4	45.4	23.26	500913-1002	100
キャリアテープ幅 CARRIER TAPE WIDTH	C	B	(A)	MATERIAL NO.	CIRCUIT

REVISED EC NO: J2007-1419 DRWN: MNABEI 2006/11/16 CH'KD: KTOYD0A 2006/11/20 APPR: NUKITA 2006/11/21	DESCRIPTION	GENERAL TOLERANCES (UNLESS SPECIFIED)	DIMENSION STYLE MM ONLY	SCALE 2:1	DESIGN UNITS METRIC	MODEL NO. 500913-***2	THIRD ANGLE PROJECTION	
	REV	10 UNDER	±---	DRAWN BY Y. SAKIYA	DATE 2004/07/30	TITLE 0.4 B-TO-B REC HSG ASSY (HGT=1.8) EMBSTP PKG -LEAD FREE-		
		10 ^{OVER} 30 UNDER	±---	CHECKED BY M. SASAO	DATE 2004/07/30			
		30 ^{OVER}	±---	APPROVED BY M. SASAO	DATE 2004/07/30	MOLEX INCORPORATED	DOCUMENT NO. SD-500913-002	SHEET NO. 4 OF 4
		ANGULAR	±--- °	MATERIAL NO. SEE CHART				
		DRAFT WHERE APPLICABLE MUST REMAIN WITHIN DIMENSIONS	SIZE A3	THIS DRAWING CONTAINS INFORMATION THAT IS PROPRIETARY TO MOLEX INCORPORATED AND SHOULD NOT BE USED WITHOUT WRITTEN PERMISSION				