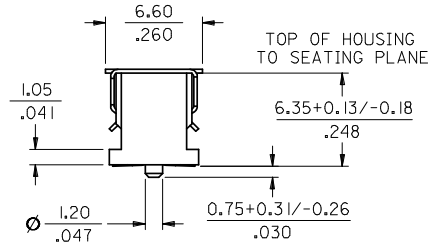


* THE PRIMARY SHIPPING CARTON WILL BE LABEL *COMPLIANT TO RoHS DIRECTIVE 2002/95/EC AND ELV ANNEX II OF DIRECTIVE 2000/53/EC* CARTONS WITHOUT THIS LABEL MAY CONTAIN PRODUCT WITH LEAD.



CIRCUIT SIZE	DIM. A	DIM. B	DIM. C	DIM. D
20	13.90 .547	9.00 .354	12.58 .495	12.40 .488
30	18.90 .744	14.00 .551	17.58 .692	17.40 .685
40	23.90 .941	19.00 .748	22.58 .889	22.40 .882
50	28.90 1.138	24.00 .945	27.58 1.086	27.40 1.079
60	33.90 1.335	29.00 1.142	32.58 1.283	32.40 1.276
64	35.90 1.413	31.00 1.220	34.58 1.361	34.40 1.354
70	38.90 1.531	34.00 1.339	37.58 1.480	37.40 1.472
80	43.90 1.728	39.00 1.535	42.58 1.676	42.40 1.669
84	45.90 1.807	41.00 1.614	44.58 1.755	44.40 1.748
90	48.90 1.925	44.00 1.732	47.58 1.873	47.40 1.866
100	53.90 2.122	49.00 1.929	52.58 2.070	52.40 2.063
110	58.90 2.319	54.00 2.126	57.58 2.267	57.40 2.260
120	63.90 2.516	59.00 2.323	62.58 2.464	62.40 2.457

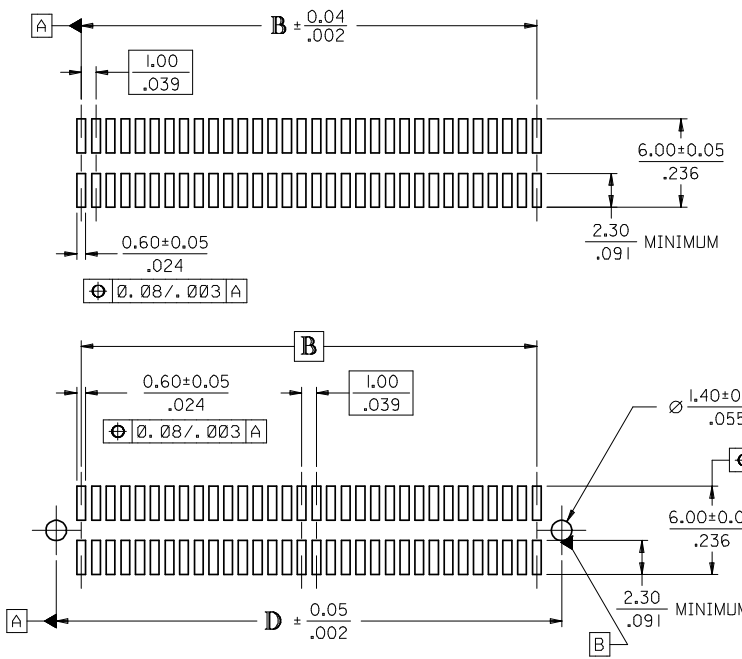
NOTES:

- 64-CIRCUIT PLUG ASSEMBLY WITH PEGS AND VACUUM CAP SHOWN FOR ILLUSTRATION PURPOSES ONLY.
- HOUSING MATERIAL: G.F. THERMOPLASTIC; UL RATING: 94V-0; COLOR: WHITE
TERMINAL MATERIAL: PHOSPHOR BRONZE; 0.205/.0080 THICK
VACUUM CAP MATERIAL: STAINLESS STEEL; 0.255/.0100 THICK
- COPLANARITY OF SMT TAILS: 0.10/.004 MAX.
- PACKAGING SPECIFICATIONS: REFER TO CHART ON SHEET 2.
- PEGS ARE OPTIONAL. REFER TO CHART ON SHEET 2.
- VACUUM PICK & PLACE CAP IS OPTIONAL. REFER TO CHART ON SHEET 2.
- THIS PART CONFORMS TO EIA STANDARD 700 AAAB FOR 1.0mm TWO-PART CONNECTORS FOR USE WITH PARALLEL PRINTED BOARDS.
- THIS PART, WHEN MATED WITH MOLEX 1.0mm RECEPTACLE CONNECTOR SERIES 71439, CONFORMS TO MOLEX PRODUCT SPECIFICATION PS-71436-9999. REFER TO CHART ON SHEET 2 FOR MATED STACK HEIGHT(S) FOR THIS PLUG.
- DIMENSIONS ARE IN MILLIMETER/INCH. INCH DIMENSIONS SHOWN FOR REFERENCE ONLY.

PLATING PER ES-88:

30 GOLD - 0.00076/.000030 MINIMUM GOLD PLATING IN CONTACT AREA,
0.0019/.000075 MINIMUM TIN PLATING IN TERMINAL AREA,
OVER 0.00127/.000050 MINIMUM NICKEL PLATING OVERALL

2	F
1	G
SHT	REV



RECOMMENDED PCB LAYOUT (WITH AND WITHOUT PEGS)

RECOMMENDED PCB THICKNESS: 1.00±0.10/.039±.004 MINIMUM

CORRECT DESIGN UNITS	QUALITY SYMBOLS
EC NO: UCP2008-2464	▽=0
DRWN:MSI/BARRA 2008/04/07	▽=0
CHKD:BBARKER 2008/04/16	
APPR:SMILLER 2008/04/16	
REV	

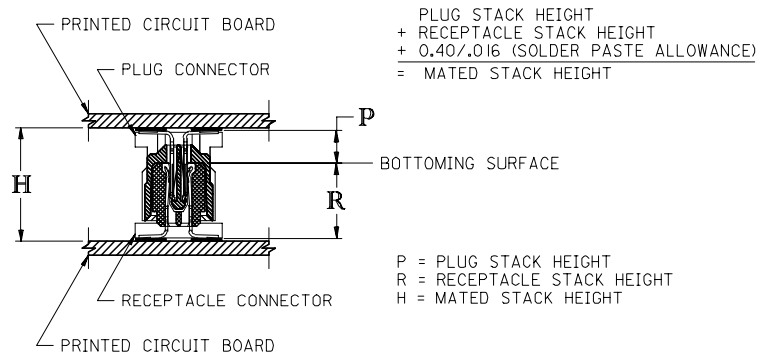
GENERAL TOLERANCES (UNLESS SPECIFIED)	DIMENSION STYLE	SCALE	DESIGN UNITS	THIRD ANGLE PROJECTION
	MM/IN	4:1	METRIC	
4 PLACES ±--- ±---	DRAWN BY REED	DATE 1995/03/23	TITLE	
3 PLACES ±--- ±.005	CHECKED BY	DATE	SALES ASSY. 1.0MM BOARD TO BOARD PLUG CONNECTOR 2.30/090 STACK HEIGHT	
2 PLACES ±0.13 ±.01	REED	1995/03/23	MOLEX MOLEX INCORPORATED	
1 PLACE ±0.25 ±---	APPROVED BY BIXLER	DATE 1995/03/23	DOCUMENT NO. SDA-71436-0***	
ANGULAR ±1/2°			SHEET NO. 1 OF 2	
DRAFT WHERE APPLICABLE MUST REMAIN WITHIN DIMENSIONS	SEE TABLE			
	SIZE C	THIS DRAWING CONTAINS INFORMATION THAT IS PROPRIETARY TO MOLEX INCORPORATED AND SHOULD NOT BE USED WITHOUT WRITTEN PERMISSION		

STANDARD

CIRCUIT SIZE	PLUG ASSEMBLY ITEM NUMBER	PEGS	PICK & PLACE CAP	PACKAGING SPEC. NUMBER	PACKAGING TYPE
64	71436-0164	YES	NO	PK-70873-0607	TUBE
64	71436-0364	YES	YES	PK-70873-0607	TUBE
64	71436-0464	YES	YES	PK-70873-063	TAPE & REEL
64	71436-0564	NO	NO	PK-70873-0606	TUBE
64	71436-0764	NO	YES	PK-70873-0606	TUBE
64	71436-0864	NO	YES	PK-70873-063	TAPE & REEL

RECOMMENDED PLUG/RECEPTACLE COMBINATION FOR MATED STACK HEIGHT PER EIA STANDARD 700 AAAB

MATED STACK HEIGHT	RECEPTACLE HEIGHT	RECEPTACLE SERIES NO.	PLUG HEIGHT	PLUG SERIES NO.
8.00/.315	5.30/.209	71439-0***	2.30/.090	71436-0***



MODIFY PACKAGING FC NO: UCP2006-2840 DRWN:MS:BARRA 2006/06/12 CHKD:BBARKER 2006/06/12 APPR:SMILLER 2006/06/12 REVISION DESCRIPTION	QUALITY SYMBOLS	GENERAL TOLERANCES (UNLESS SPECIFIED)	DIMENSION STYLE	SCALE	DESIGN UNITS	THIRD ANGLE PROJECTION
	$\nabla=0$ $\nabla=0$	mm INCH	MM/IN	---	INCH	
		4 PLACES ± --- ± ---	DRAWN BY DATE	TITLE		
		3 PLACES ± --- ± ---	SMR 1995/03/23	SALES ASSY, 1.0MM BOARD TO BOARD PLUG CONNECTOR 2.30/.090 STACK HEIGHT		
	2 PLACES ± --- ± ---	CHECKED BY DATE	MATERIAL NO. DOCUMENT NO. SHEET NO.			
	1 PLACE ± --- ± ---	SMR 1995/03/23	SDA-71436-0*** 2 OF 2			
	ANGULAR ±1/2°	APPROVED BY DATE	MATERIAL NO. DOCUMENT NO. SHEET NO.			
		SMR 1995/03/23	SDA-71436-0*** 2 OF 2			
			MATERIAL NO. DOCUMENT NO. SHEET NO.			
			SDA-71436-0*** 2 OF 2			