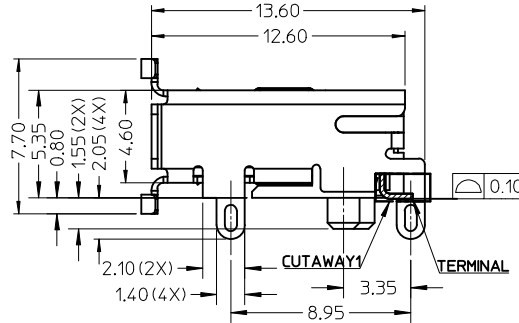
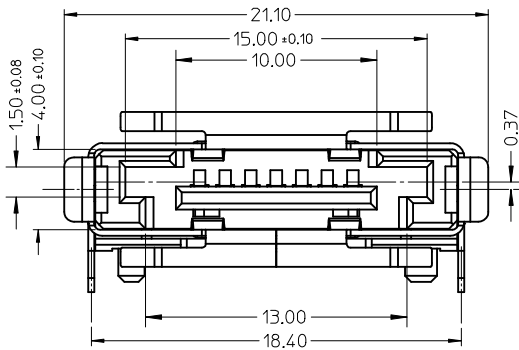


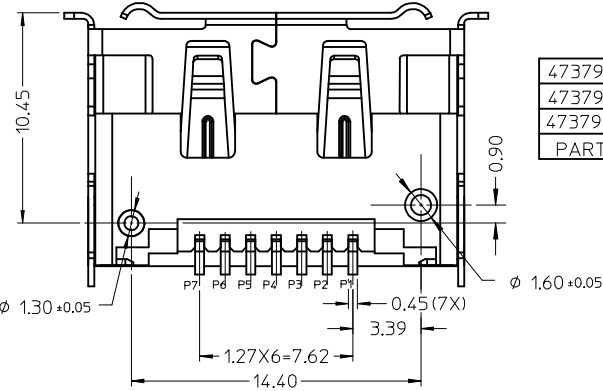
RECOMMEND PCB LAYOUT(CONNECTOR SIDE)  
THICKNESS=1.30(ALL TOLERANCE: +/-0.05)



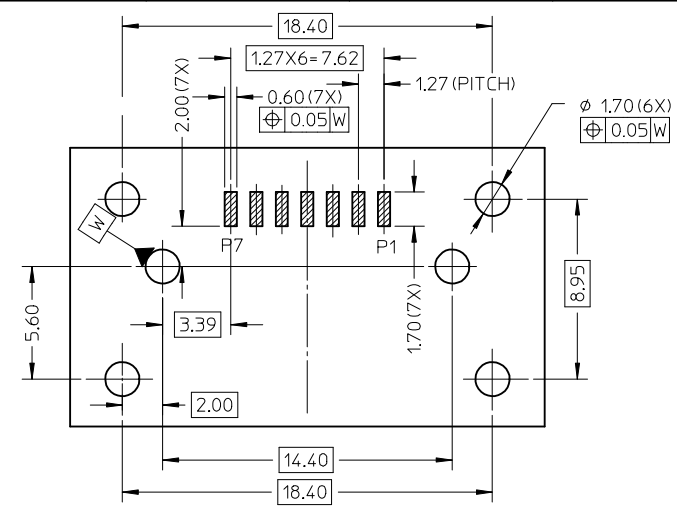
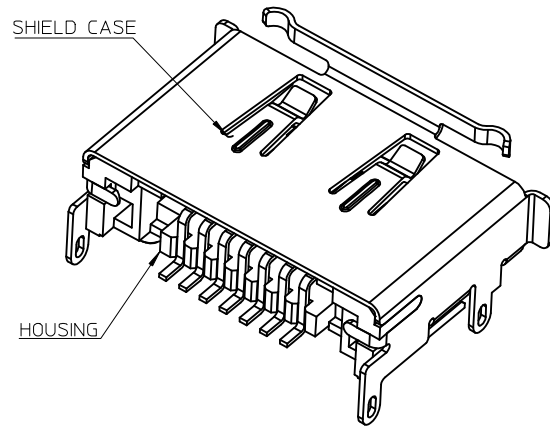
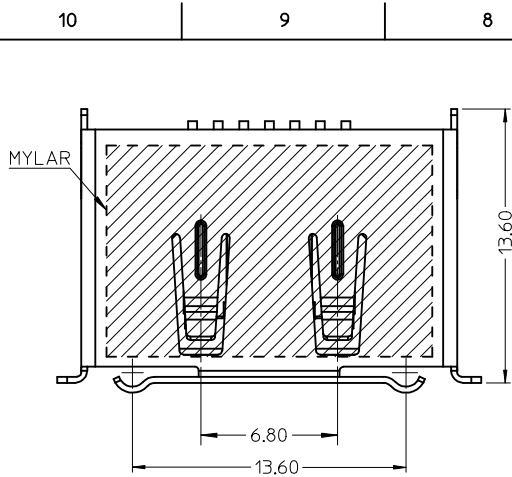
NOTES:

- MATERIAL:  
HOUSING: THERMAL PLASTIC.COLOR: BLACK, UL94V-0.  
SHIELD CASE: COPPER ALLOY.  
TERMIANL: COPPER ALLOY.
- PLATING:  
SHIELD CASE: 100~200μ SOLDERABLE NICKEL OVER ALL.  
TERMINAL: CONTACT AREA GOLD PLATING(SEE CHART) AND SOLDER TAIL 50~100μ TIN ALLOY PLATING OVER 50μ MIN. NICKEL.
- PRODUCT SPEC REFER TO PS-47082-001.
- PACKAGE SPEC REFER TO PK-47379-001.
- PRODUCT MEET STANDARD 1.0 REVISION OF THE SERIAL ATA II: CABLE AND CONNECTOR VOL 2 SPECIFICATION.
- PRODUCT COMPLIANT TO RoHS DIRECTIVE 2002/95/EC AND ELV 2000/53/EC.

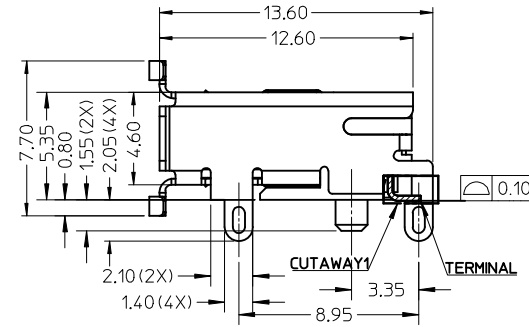
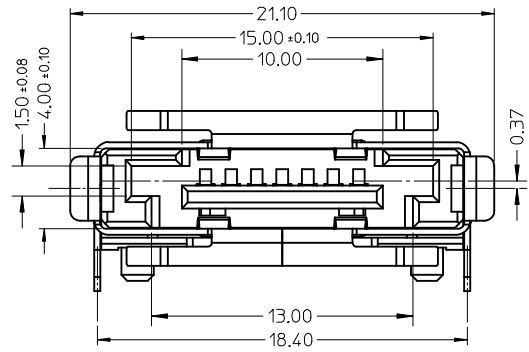
47379-2000	TERMINAL CONTACT AREA PLATED 30μ GOLD
47379-1000	TERMINAL CONTACT AREA PLATED 15μ GOLD
47379-0000	TERMINAL CONTACT AREA PLATED GOLD FLASH
PART NO.	DESCRIPTION



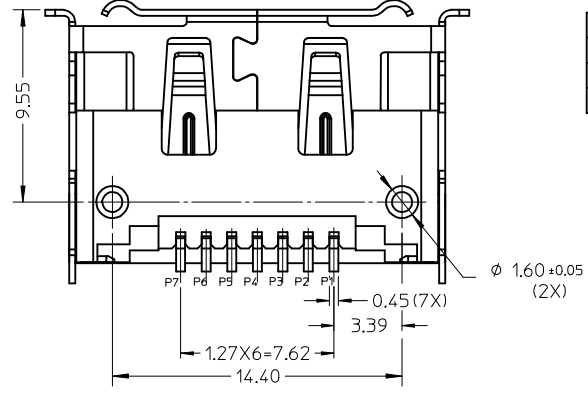
REVISED	EC NO: 2007/04/30	QUALITY SYMBOLS	GENERAL TOLERANCES (UNLESS SPECIFIED)	DIMENSION STYLE	SCALE	DESIGN UNITS	THIRD ANGLE PROJECTION
	DRW:GLLI	▽=0		MM ONLY	1:1	METRIC	
	CHKD: 2007/05/04	▽C=0	4 PLACES ± --- ± ---	DRAWN BY DATE	TITLE		
	APPR: JINCHEN 2007/05/09	REV	3 PLACES ± --- ± ---	CHECKED BY DATE	EXTERNAL SATA PLUG SMT WITH SHELL TOP MOUNT TYPE		
			2 PLACES ± 0.2 ± ---	JENNY ZENG 2005/12/23	MOLEX INCORPORATED		
			1 PLACE ± 0.25 ± ---	APPROVED BY DATE	DOCUMENT NO.		
			ANGULAR ± 3 °	GRATE MA 2005/12/23	SD-47379-100		
				MATERIAL NO.	SHEET NO.		
			DRAFT WHERE APPLICABLE MUST REMAIN WITHIN DIMENSIONS	SEE CHART	1 OF 3		
				SIZE A3	THIS DRAWING CONTAINS INFORMATION THAT IS PROPRIETARY TO MOLEX INCORPORATED AND SHOULD NOT BE USED WITHOUT WRITTEN PERMISSION		



RECOMMEND PCB LAYOUT (CONNECTOR SIDE)  
THICKNESS=1.30 (ALL TOLERANCE: +/-0.05)



47379-2100	TERMINAL CONTACT AREA PLATED 30μ GOLD
47379-1100	TERMINAL CONTACT AREA PLATED 15μ GOLD
47379-0100	TERMINAL CONTACT AREA PLATED GOLD FLASH
PART NO.	DESCRIPTION

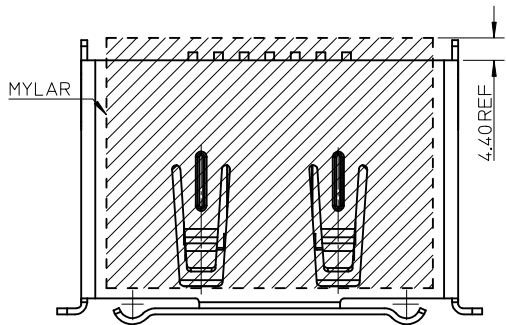


REVISED	EC NO:	2007/04/30
	DRWN:GLL	2007/05/04
	CHKD:	2007/05/04
	APPR:JINCHEN	2007/05/09
REV	DESCRIPTION	

QUALITY SYMBOLS	$\nabla=0$		
	$\sphericalangle=0$		
	GENERAL TOLERANCES (UNLESS SPECIFIED)		
		mm	INCH
	4 PLACES	± ---	± ---
3 PLACES	± ---	± ---	
2 PLACES	± 0.2	± ---	
1 PLACE	± 0.25	± ---	
ANGULAR ± 3 °			
DRAFT WHERE APPLICABLE MUST REMAIN WITHIN DIMENSIONS			

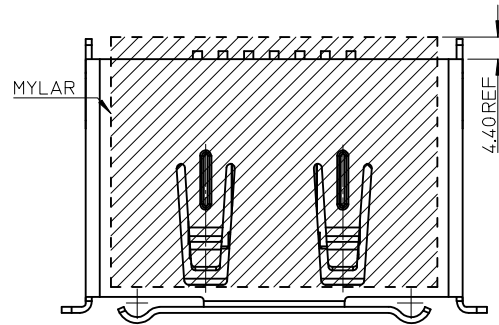
DIMENSION STYLE		SCALE	DESIGN UNITS	THIRD ANGLE PROJECTION
MM ONLY		1:1	METRIC	
DRAWN BY	DATE	TITLE		
DIXON LI	2005/12/23	EXTERNAL SATA PLUG		
CHECKED BY	DATE	SMT WITH SHELL		
JENNY ZENG	2005/12/23	TOP MOUNT TYPE		
APPROVED BY	DATE	MOLEX INCORPORATED		
GRATE MA	2005/12/23	SD-47379-100		
MATERIAL NO.	DOCUMENT NO.	SHEET NO.		
SEE CHART		2 OF 3		

SIZE	THIS DRAWING CONTAINS INFORMATION THAT IS PROPRIETARY TO MOLEX INCORPORATED AND SHOULD NOT BE USED WITHOUT WRITTEN PERMISSION		
A3			



ALL DIMENSION REFER TO SHEET 1.

47379-2010	TERMINAL CONTACT AREA PLATED 30μ" GOLD
47379-1010	TERMINAL CONTACT AREA PLATED 15μ" GOLD
47379-0010	TERMINAL CONTACT AREA PLATED GOLD FLASH
PART NO.	DESCRIPTION



ALL DIMENSION REFER TO SHEET 2.

47379-2110	TERMINAL CONTACT AREA PLATED 30μ" GOLD
47379-1110	TERMINAL CONTACT AREA PLATED 15μ" GOLD
47379-0110	TERMINAL CONTACT AREA PLATED GOLD FLASH
PART NO.	DESCRIPTION

REVISED EC NO: SH2007-0788 DRWG:GLL CHKD:JTIAN APPR:JINCHEN	2007/04/30 2007/05/04 2007/05/09	DESCRIPTION REV	QUALITY SYMBOLS	GENERAL TOLERANCES (UNLESS SPECIFIED) mm    INCH 4 PLACES ± --- ± --- 3 PLACES ± --- ± --- 2 PLACES ± 0.2 ± --- 1 PLACE ± 0.25 ± --- ANGULAR ± 3 °	DIMENSION STYLE MM ONLY DRAWN BY: DIXON LI    DATE: 2005/12/23 CHECKED BY: JENNY ZENG    DATE: 2005/12/23 APPROVED BY: GRATE MA    DATE: 2005/12/23 MATERIAL NO.	SCALE: 1:1 DESIGN UNITS: METRIC THIRD ANGLE PROJECTION	TITLE: EXTERNAL SATA PLUG SMT WITH SHELL TOP MOUNT TYPE MOLEX INCORPORATED DOCUMENT NO. SD-47379-100 SHEET NO. 3 OF 3
			▽=0 □=0				
			DRAFT WHERE APPLICABLE MUST REMAIN WITHIN DIMENSIONS				
			SIZE: A3 THIS DRAWING CONTAINS INFORMATION THAT IS PROPRIETARY TO MOLEX INCORPORATED AND SHOULD NOT BE USED WITHOUT WRITTEN PERMISSION				