

10 9 8 7 6 5 4 3 2 1

F

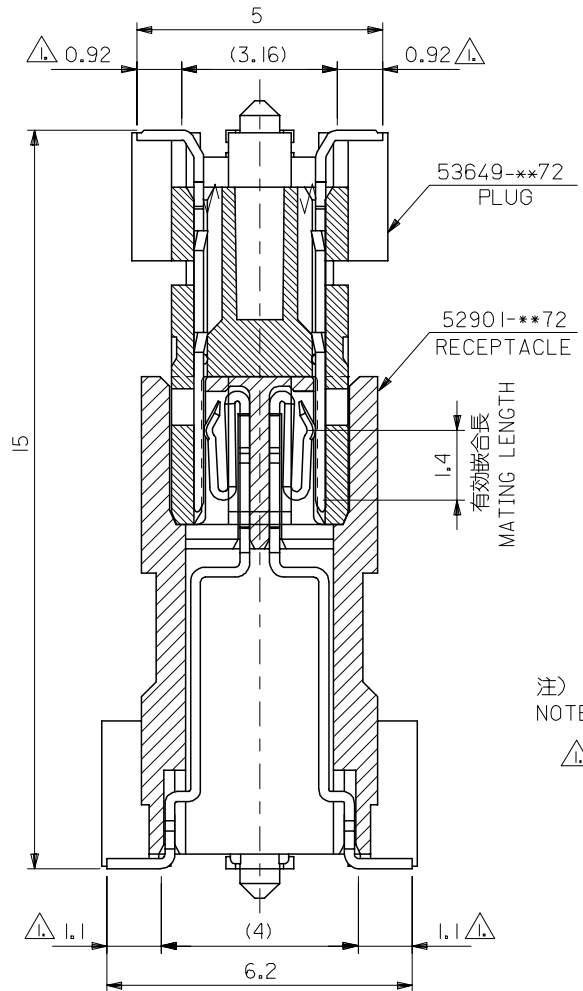
E

D

C

B

A



注)
NOTE)

△ 基板接地長さ
FLAT AREA

| | | | | | | | | |
|--|--|-------|-----------------------------|--------------------|---|------------------------|------------------------|--|
| RELEASED EC NO: J2005-3798 DRW: KENSUZUKI 2005/06/20 CHK: D: NUKITA 2005/06/20 APPR: NUKITA 2005/06/23 | GENERAL TOLERANCES (UNLESS SPECIFIED) | | DIMENSION STYLE MM ONLY | | SCALE 10:1 | DESIGN UNITS METRIC | THIRD ANGLE PROJECTION | |
| | 10 UNDER | ±0.2 | DRAWN BY KENSUZUKI | DATE 2005/06/20 | TITLE 0.635 PITCH B TO B CONN. 52901/53649 SERIES MATING CROSS SECTION | | | |
| | 10 OVER 30 UNDER | ±0.25 | CHECKED BY NUKITA | DATE 2005/06/20 | | | | |
| | 30 OVER | ±0.3 | APPROVED BY NUKITA | DATE 2005/06/20 | MOLEX INCORPORATED DOCUMENT NO. SD-52901-015 SHEET NO. 1 OF 1 | | | |
| | ANGULAR | ±3 ° | MATERIAL NO. SEE DRAWING | | | | | |
| 0 | DRAFT WHERE APPLICABLE MUST REMAIN WITHIN DIMENSIONS | | SIZE A3 | | THIS DRAWING CONTAINS INFORMATION THAT IS PROPRIETARY TO MOLEX INCORPORATED AND SHOULD NOT BE USED WITHOUT WRITTEN PERMISSION | | | |

9

8

7

6

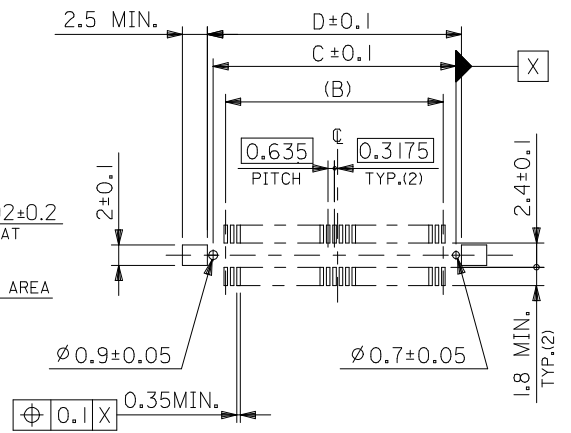
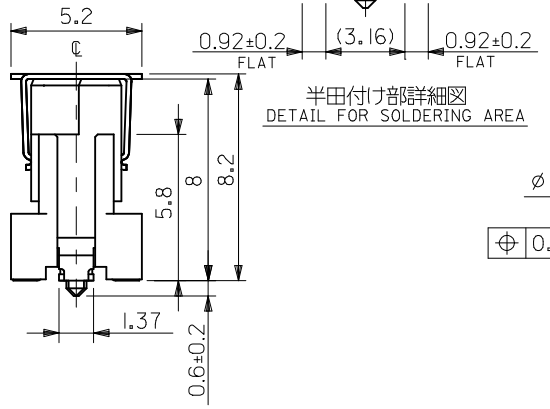
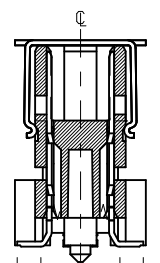
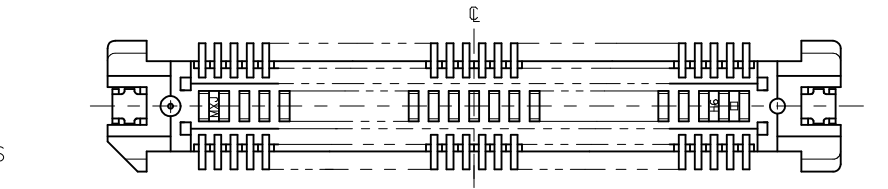
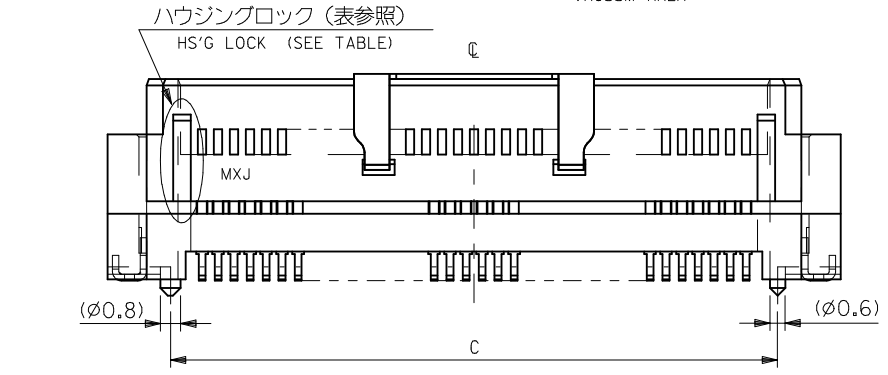
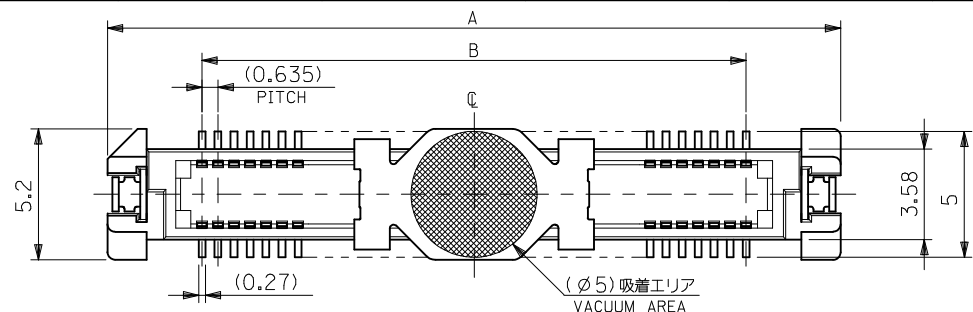
5

4

3

2

10 9 8 7 6 5 4 3 2 1



推奨基板寸法
RECOMMENDED PCB PATTERN LAYOUT
(SCALE:2-1)

注) NOTES

1.材質 MATERIAL
ハウジング: ガラス入りPPS、茶色、UL94V-0
HOUSING:G.F.PPS,BROWN,UL94V-0
ターミナル:銅合金 (t=0.2)
TERMINAL:COPPER ALLOY
フィッティングネイル:銅合金 (t=0.2)
FITTING NAIL:COPPER ALLOY
吸着カバー: ステンレス (t=0.2)
VACUUM COVER:STAINLESS STEEL

3.テールのバラツキ寸法
TAIL COPLANARITY
テール平坦度は、0.1MAX. とする。
TAIL COPLANARITY TO BE 0.1MAX.

4.本製品は 53649-***2の鉛フリー品である。
THIS PRODUCT IS LEAD FREE OF 53649-***2

2.メッキ仕様 PLATING

ターミナル TERMINAL
接点部 : 金メッキ 0.25 μmMIN.
CONTACT AREA:GOLD 0.25 μmMIN.
半田付け部 : 錫メッキ 1.0 μmMIN.
SOLDER TAIL AREA:TIN 1.0 μmMIN.
下地メッキ : ニッケルメッキ 1.5 μmMIN.
UNDER-PLATING:NICKEL 1.5 μmMIN.

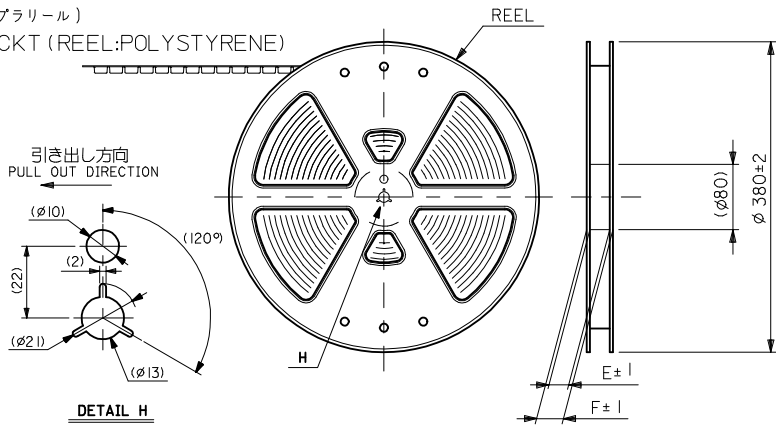
フィッティングネイル FITTING NAIL
錫メッキ 1.0 μmMIN.
TIN 1.0 μmMIN.
下地メッキ : ニッケルメッキ 1.0 μmMIN.
UNDER-PLATING:NICKEL 1.0 μmMIN.

| | | | | | | | | |
|--------------------|-------|-------|--------|-------|------------------------------|----------------------------|-----------------------|----------------|
| | 47.42 | 46.32 | 43.815 | 51.32 | —#— | 53649-1475 | 53649-1472 | 140 |
| 無し NO | 34.72 | 33.62 | 31.115 | 38.62 | 53649-1074 | —#— | 53649-1072 | 100 |
| | 28.37 | 27.27 | 24.765 | 32.27 | 53649-0874 | 53649-0875 | 53649-0872 | 80 |
| 有り YES | 22.02 | 20.92 | 18.415 | 25.92 | 53649-0674 | —#— | 53649-0672 | 60 |
| | 15.67 | 14.57 | 12.065 | 19.57 | 53649-0474 | 53649-0475 | 53649-0472 | 40 |
| | 12.5 | 11.4 | 8.89 | 16.4 | 53649-0374 | —#— | 53649-0372 | 30 |
| ハウジング HS'G LOCK | D | C | B | A | エンボス梱包 EMBOSSED PACKAGING | スティック梱包 STICK PACKAGING | 製品番号 MATERIAL NO. | 極数 CKT. NO. |
| | | | | | | | MODEL NO. 53649-***72 | |

| | | | | | | | | |
|---|--|-----------|---|-------------------------|-------------------|--|---------------------------|--|
| REVISED EC NO: J2016-0892 DRAWN: Y. SHIDA 2016/02/22 CHKD: K. TANAKA 2016/02/22 APP: R. KAWA 2016/02/29 | GENERAL TOLERANCES (UNLESS SPECIFIED) | | DIMENSION STYLE MM ONLY | | SCALE --- | DESIGN UNITS METRIC | THIRD ANGLE PROJECTION | |
| | 0.25 UNDER | UNDER | ±0.03 | DRAWN BY M. NABEI | DATE '04/02/25 | TITLE 0.635 B/B CONN. PLUG HS'G COVER ASS'Y -LEAD FREE- | | |
| | 0.25 OVER | 0.5 UNDER | ±0.05 | CHECKED BY K. TOJO | DATE '04/02/25 | | | |
| | 0.5 OVER | 1.0 UNDER | ±0.1 | APPROVED BY M. SASAO | DATE '04/02/25 | | | |
| | 1.0 OVER | 10 UNDER | ±0.2 | MATERIAL NO. | DOCUMENT NO. | SHEET NO. 1 OF 1 | | |
| 10 OVER | 30 UNDER | ±0.25 | SEE CHART | | SD-53649-004 | | | |
| 30 OVER | | ±0.3 | THIS DRAWING CONTAINS INFORMATION THAT IS PROPRIETARY TO MOLEX ELECTRONIC TECHNOLOGIES, LLC AND SHOULD NOT BE USED WITHOUT WRITTEN PERMISSION | | | | | |
| | ANGULAR ±3 ° | | DRAFT WHERE APPLICABLE MUST REMAIN WITHIN DIMENSIONS | | SIZE A3 | | | |

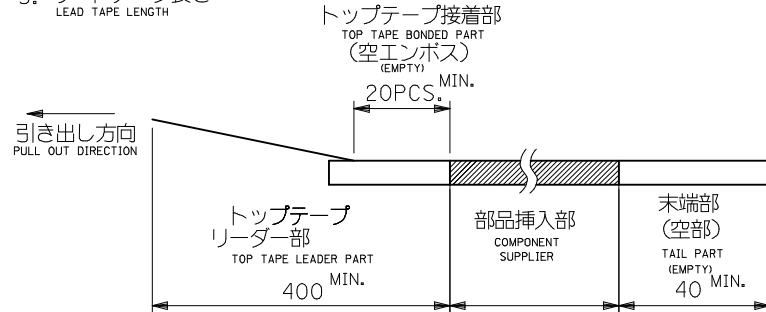
9 8 7 6 5 4 3 2 1

140極に対応(ブラリール)
FOR 140 CKT (REEL:POLYSTYRENE)

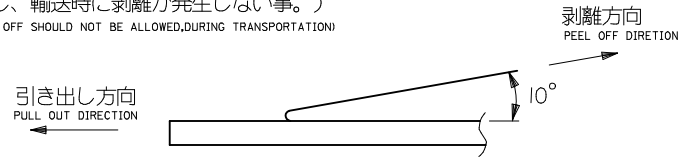


注)
NOTES

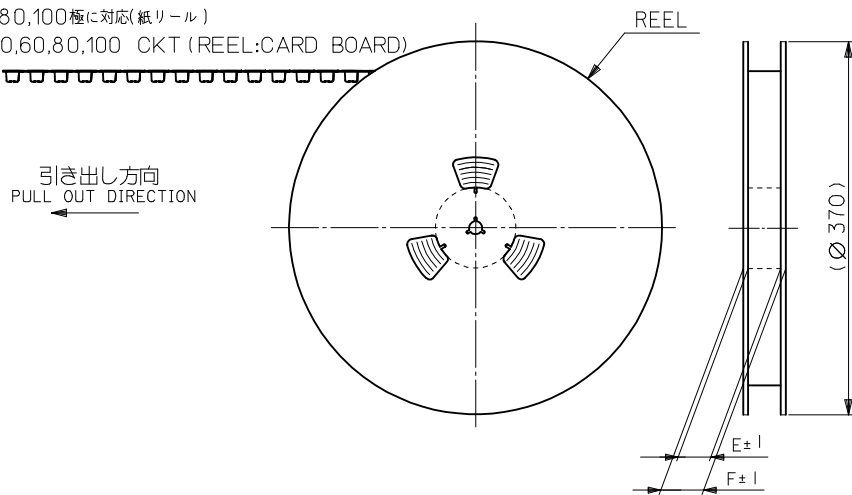
1. 製品番号 53649-***72 の詳細寸法については、SD-53649-004 を参照下さい。
IN THE PACKAGE , PART NO. 53649-***72 DETAILED DIMENSIONS , SEE SD-53649-004
2. 梱包数量 : 760 個/リール
NUMBER OF CONNECTORS : 760 PCS/REEL
3. リードテープ長さ
LEAD TAPE LENGTH



4. トップテープの剥離強度 (剥離方向は下図参照)
PEELING OFF FORCE OF TOP TAPE (PEELING DIRECTION AS SHOWN IN FOLLOWING FIG.)
0.1 - 1.3 N (30,40,60,80,100CKT)
0.1 - 1.5 N (140CKT)
尚、本規格値は、出荷時に適用。
THIS REQUIREMENT SHOULD BE APPLIED AT SHIPMENT
(但し、輸送時に剥離が発生しない事。)
(PEEL OFF SHOULD NOT BE ALLOWED,DURING TRANSPORTATION)

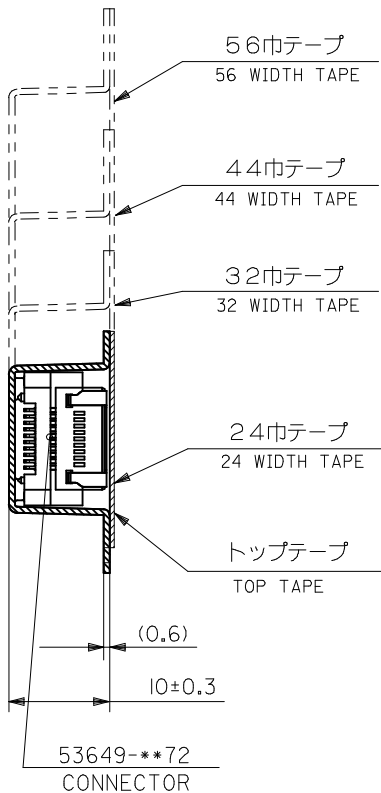


30,40,60,80,100極に対応(紙リール)
FOR 30,40,60,80,100 CKT (REEL:CARD BOARD)

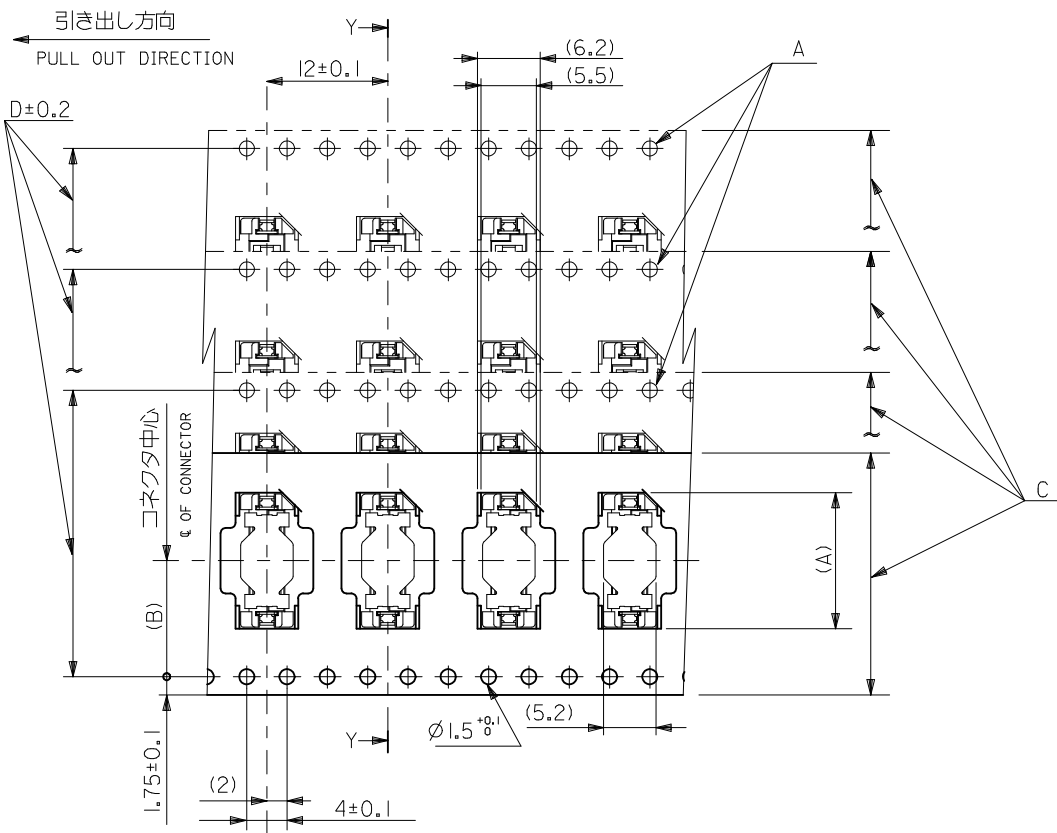


5. 材料
MATERIAL
キャリアテープ : ポリプロピレン (PP)
CARRIER TAPE : POLYPROPYLENE (PP)
トップテープ : PET, PE, PEF
TOP TAPE : PET, PE, P-F
リール : 紙 (30,40,60,80,100極) ポリスチレン (140極)
REEL : CARDBOARD(FOR 30,40,60,80,100CKT) POLYSTYRENE(140CKT)
6. 本製品は 53649-***4 の鉛フリー品である。
THIS PRODUCT IS LEAD FREE OF 53649-***4

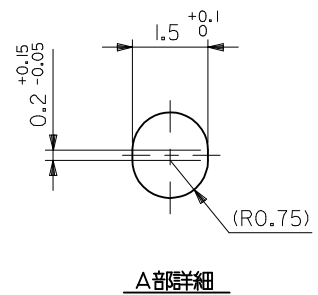
| | | | | | | | | | |
|---|------------------|--|-------|----------------------------|-------------------|--|------------------------|------------------------|--|
| REVISED EC NO.: J2013-1013 DRWK:TOYODA 2013/03/14 CHKD:TASAKAWA 2013/03/15 APPR:MSASAO 2013/03/27 | DESCRIPTION D | GENERAL TOLERANCES (UNLESS SPECIFIED) | | DIMENSION STYLE MM ONLY | | SCALE --- | DESIGN UNITS METRIC | THIRD ANGLE PROJECTION | |
| | | 10 UNDER | ± --- | DRAWN BY M. NABEI | DATE '04/02/25 | TITLE EMBOSSED TAPE PACKAGE FOR 53649-***72 -LEAD FREE- | | | |
| | | 10 OVER 30 UNDER | ± --- | CHECKED BY K. TOJO | DATE '04/02/25 | | | | |
| | | 30 OVER | ± --- | APPROVED BY M. SASAO | DATE '04/02/25 | | | | |
| ANGULAR ± --- ° | | DRAFT WHERE APPLICABLE MUST REMAIN WITHIN DIMENSIONS | | MATERIAL NO. SEE CHART | | DOCUMENT NO. SD-53649-005 | | SHEET NO. 1 OF 2 | |
| THIS DRAWING CONTAINS INFORMATION THAT IS PROPRIETARY TO MOLEX INCORPORATED AND SHOULD NOT BE USED WITHOUT WRITTEN PERMISSION | | | | | | | | | |



断面 Y-Y
SECTION Y-Y



累積ピッチ : 40±0.2
ACCUMULATIVE
PITCH : 40±0.2



| | | | | | | | | |
|------|------|------|--------------------|--------------------------------|------|------------|--------------|--------------------|
| 78.1 | 73.5 | 68.4 | 72 ^{+0.3} | 34.2 | 51.6 | 53649-1474 | 140 | |
| 61.4 | 57.4 | 52.4 | 56 ^{+0.3} | 26.2 | 38.9 | 53649-1074 | 100 | |
| 49.4 | 45.4 | 40.4 | 44 ^{+0.3} | 20.2 | 32.6 | 53649-0874 | 80 | |
| 37.4 | 33.4 | 28.4 | 32 ^{+0.3} | 14.2 | 26.2 | 53649-0674 | 60 | |
| 29.4 | 25.4 | # | 24 ^{+0.3} | 11.5 | 19.9 | 53649-0474 | 40 | |
| F | E | D | C | キャリアテープ幅 CARRIER TAPE WIDTH | (B) | (A) | MATERIAL NO. | 極数 NO. OF CXTS. |

MODEL NO. 53649-**74

| | | | | | | | | | | |
|--|--|------------------------|----------------------------|-----------------|-------------------------|------------------------|---|---------------------------|---------------------|--|
| REVISED EC NO: J2013-1013 2013/03/14 DRWN:KTOYODA 2013/03/14 CHKD:TASAKAWA 2013/03/27 APPR:MSASAO | GENERAL TOLERANCES (UNLESS SPECIFIED) | | DIMENSION STYLE MM ONLY | | SCALE --- | DESIGN UNITS METRIC | | THIRD ANGLE PROJECTION | | |
| | 10 UNDER ± --- | 10 OVER 30 UNDER ± --- | 30 OVER ± --- | ANGULAR ± --- ° | DRAWN BY M. NABEI | DATE '04/02/25 | TITLE EMBOSSED TAPE PACKAGE FOR 53649-**72 -LEAD FREE- | | | |
| | DRAFT WHERE APPLICABLE MUST REMAIN WITHIN DIMENSIONS | | | SEE CHART | APPROVED BY M. SASAO | DATE '04/02/25 | DOCUMENT NO. SD-53649-005 | | SHEET NO. 2 OF 2 | |
| | THIS DRAWING CONTAINS INFORMATION THAT IS PROPRIETARY TO MOLEX INCORPORATED AND SHOULD NOT BE USED WITHOUT WRITTEN PERMISSION | | | | | MOLEX | | | | |