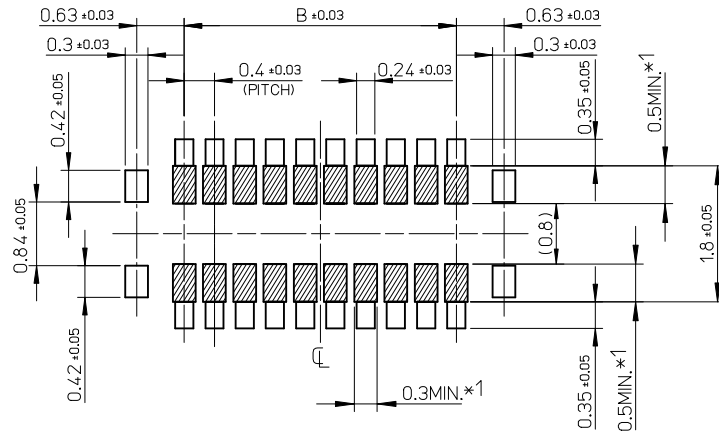


注記 NOTES

1. 使用材料 MATERIAL
 ハウジング : 液晶ポリマー (LCP) UL94V-0 (黒)
 HOUSING: LIQUID CRYSTAL POLYMER UL94V-0 (COLOR:BLACK)
 ターミナル : 銅合金
 TERMINAL : COPPER ALLOY
 金具 : 銅合金
 FITTING NAIL : COPPER ALLOY
2. メッキ仕様 PLATING
 ターミナル TERMINAL
 金メッキ
 GOLD
 下地メッキ : ニッケルメッキ
 UNDER PLATING : NICKEL
 ※コンタクト部とテール部はニッケルメッキによって分断されている金メッキです。
 DIVIDE INTO PARTS THE GOLD PLATING OF THE CONTACT AND THE TAIL PART BY THE NICKEL PLATING.
 金具 FITTING NAIL
 金メッキ (テール部のみ)
 GOLD (ONLY TAIL PART)
 下地メッキ : ニッケルメッキ
 UNDER PLATING : NICKEL
- △ (全極数 / 2) = 偶数の場合に適用。
 APPLY FOR (CIRCUIT/2)=EVEN.
4. 嵌合相手 : 503548 シリーズ
 MATE WITH : 503548 SERIES.
5. テール平坦度は、0.08 以下
 テール及び金具の平坦度は、0.1 以下
 TAIL COPLANARITY TO BE 0.08MAXIMUM.
 TAIL AND FITTING NAIL COPLANARITY TO BE 0.1MAXIMUM.

| | | | |
|-------------------------------------|------|------------------|----------|
| 3.2 | 5.06 | 503552-1820 | 18 |
| 2.8 | 4.66 | 503552-1620 | 16 |
| 2.4 | 4.26 | 503552-1420 | 14 |
| 2.0 | 3.86 | 503552-1220 | 12 |
| 1.6 | 3.46 | 503552-1020 | 10 |
| 0.8 | 2.66 | 503552-0620 | 6 |
| B | A | EMBOSSED PACKAGE | 極数 |
| | | オーダー番号 ORDER No. | CIRCUITS |
| CONNECTOR SERIES No. : 503552-***19 | | | |

| | | | | | | | | | |
|--|--------------------|---|-------|--|--------------------|---|-------------------------------|------------------------|--|
| REVISED EC NO: J2013-1507 DRWN:YFUJIMAKI 2013/06/13 CHKD:TASAKAWA 2013/06/13 APPR:KMORIKAWA 2013/06/14 | DESCRIPTION REV | GENERAL TOLERANCES (UNLESS SPECIFIED) | | DIMENSION STYLE MM ONLY | | SCALE 15:1 | DESIGN UNITS METRIC | THIRD ANGLE PROJECTION | |
| | | 10 UNDER | ±0.2 | DRAWN BY RTAKEUCHI | DATE 2010/04/08 | TITLE 0.4 B-T0-B CONN HGT=0.7 W=2.6 HI-RETENTION PLUG ASSY | | | |
| | | 10 OVER 30 UNDER | ±0.25 | CHECKED BY THIRATA | DATE 2010/04/08 | | | | |
| | | 30 OVER | ±0.3 | APPROVED BY MSASAO | DATE 2010/09/15 | | | | |
| | | ANGULAR ±1 ° | | DRAFT WHERE APPLICABLE MUST REMAIN WITHIN DIMENSIONS | | MATERIAL NO. SEE CHART | DOCUMENT NO. SD-503552-005 | SHEET NO. 1 OF 2 | |
| SIZE A3 | | THIS DRAWING CONTAINS INFORMATION THAT IS PROPRIETARY TO MOLEX INCORPORATED AND SHOULD NOT BE USED WITHOUT WRITTEN PERMISSION | | | | | | | |



RECOMMENDED P.W. BOARD PATTERN LAYOUT

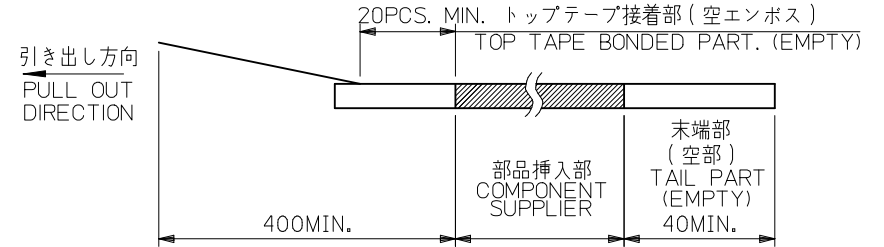
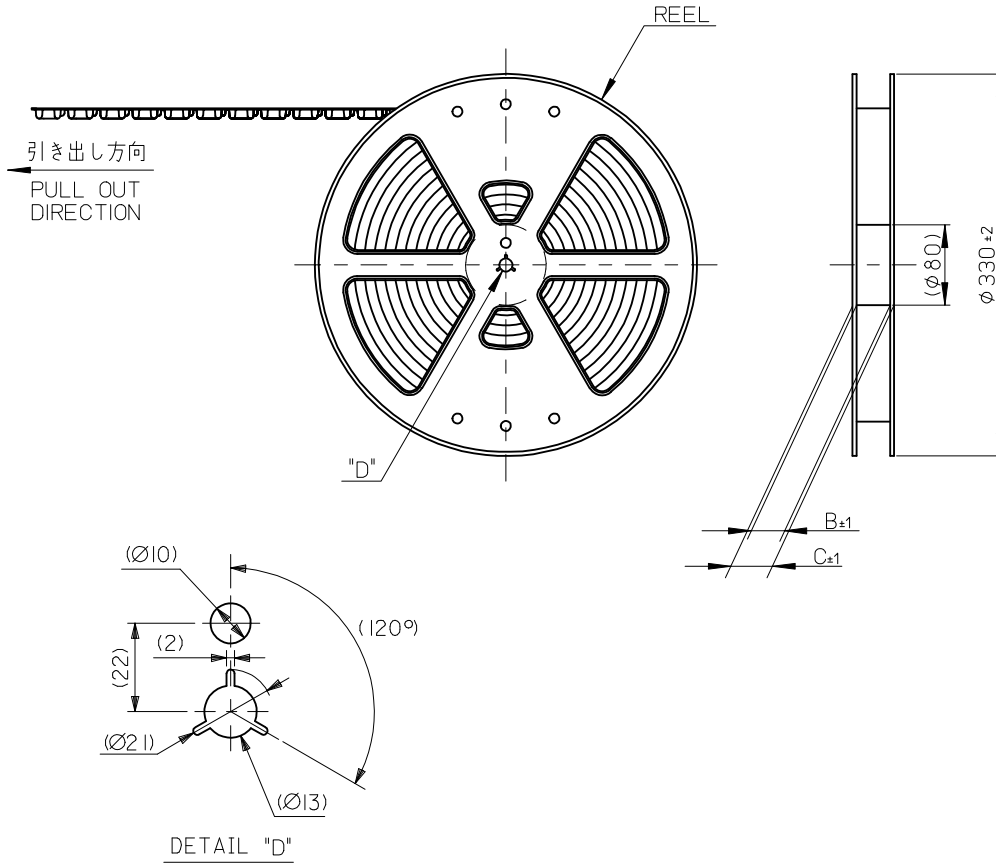
*1 パターン引き回し、および半田禁止エリア
 (当該箇所においては、これと接する回路以外の配線を禁止する。
 また、接する回路を配線する場合はレジストを施し、この部分に
 半田は無きこととする。)

*1 PROHIBITED AREA OF PATTERN WIRING AND SOLDER.
 (FOR EACH AREA, THE WIRING THAT TOUCHES ON THE SOLDER
 CAN BE ATTACHED, THEN COVERED WITH A FILM TO KEEP SOLDER OUT.)

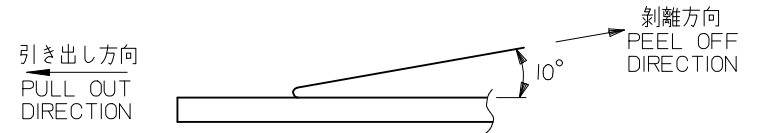
| | | | | | | | | | |
|--|------------------|---|--------|----------------------------|--------------------|---|------------------------|------------------------|--|
| REVISED EC NO: J2013-1507 DRWN: FUJIMAKI 2013/06/13 CHKD: TASAKAWA 2013/06/13 APPR: KMORIKAWA 2013/06/14 | DESCRIPTION A | GENERAL TOLERANCES (UNLESS SPECIFIED) | | DIMENSION STYLE MM ONLY | | SCALE 15:1 | DESIGN UNITS METRIC | THIRD ANGLE PROJECTION | |
| | | 10 UNDER | ± 0.2 | DRAWN BY RTAKEUCHI | DATE 2010/04/08 | TITLE 0.4 B-TO-B CONN HGT=0.7 W=2.6 HI-RETENTION PLUG ASSY | | | |
| | | 10 OVER 30 UNDER | ± 0.25 | CHECKED BY THIRATA | DATE 2010/04/08 | | | | |
| | | 30 OVER | ± 0.3 | APPROVED BY MSASAO | DATE 2010/09/15 | | | | |
| ANGULAR ±1 ° | | DRAFT WHERE APPLICABLE MUST REMAIN WITHIN DIMENSIONS | | MATERIAL NO. SEE SHEET1 | | DOCUMENT NO. SD-503552-005 | | SHEET NO. 2 OF 2 | |
| SIZE A3 | | THIS DRAWING CONTAINS INFORMATION THAT IS PROPRIETARY TO MOLEX INCORPORATED AND SHOULD NOT BE USED WITHOUT WRITTEN PERMISSION | | | | | | | |

注記 NOTES

- 製品詳細寸法については製品単体図面を参照下さい。
RE DETAILED DIMENSION, SEE PRODUCT DRAWING.
- 梱包数量：3000 個/リール
NUMBER OF CONNECTORS : 3000PCS/REEL
- リードテープ長さ LEAD TAPE LENGTH

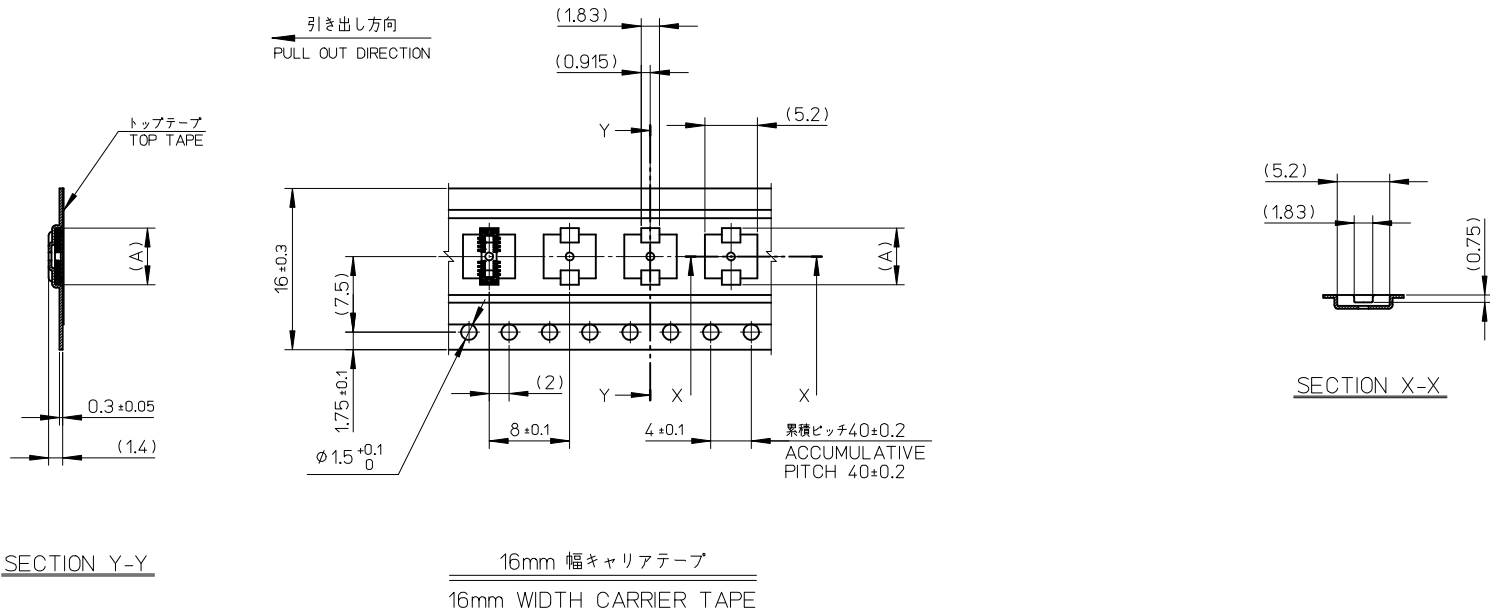


- トップテープの剥離強度：0.1N~1.3N(10gf~130gf)
(剥離方向は下図参照)
尚、本規格値は出荷時に適用。(但し、輸送時に剥離が発生しないこと。)
PEELING OFF FORCE OF TOP TAPE : 0.1N~1.3N(10gf~130gf)
(PEELING DIRECTION AS SHOWN IN FOLLOWING FIG.)
THIS REQUIREMENT SHOULD BE APPLIED AT SHIPMENT.
PEEL OFF SHOULD NOT BE ALLOWED, DURING TRANSPORTION.



- 材料 MATERIAL
キャリアテープ (CARRIER TAPE) : ポリスチレン (POLYSTYRENE)
トップテープ (TOP TAPE) : PET , OTHER
リール (REEL) : ポリスチレン (PS) <リサイクル材を含む>
POLYSTYRENE (PS) <RECYCLE MATERIAL CONTAINED>
- ELV 及び RoHS適合品
ELV AND RoHS COMPLIANT

| | | | | | | | |
|--|--|--|------|-----------------------------|------------------------|-------------------------------|---|
| REVISED EC NO: J2013-1507 DRWN: YFUJIMAKI 2013/06/13 CHKD: TASAKAWA 2013/06/13 APPR: KMORIKAWA 2013/06/14 | DESCRIPTION GENERAL TOLERANCES (UNLESS SPECIFIED) | DIMENSION STYLE MM ONLY | | SCALE 1:1 | DESIGN UNITS METRIC | MODEL NO. 503552-**20 | |
| | | 10 UNDER | ±--- | DRAWN BY RTAKEUCHI | | DATE 2010/02/08 | TITLE 0.4 B-TO-B CONN. HGT=0.7 HI-RETENTION PLUG ASSY EMBSTP PKG molex |
| | | 10 OVER 30 UNDER | ±--- | CHECKED BY THIRATA | | DATE 2010/02/08 | |
| | | 30 OVER | ±--- | APPROVED BY MSASAO | | DATE 2010/02/08 | |
| A | ANGULAR ±--- | DRAFT WHERE APPLICABLE MUST REMAIN WITHIN DIMENSIONS | | MATERIAL NO. SEE SHEET 2 | | DOCUMENT NO. SD-503552-006 | SHEET NO. 1 OF 2 |
| THIS DRAWING CONTAINS INFORMATION THAT IS PROPRIETARY TO MOLEX INCORPORATED AND SHOULD NOT BE USED WITHOUT WRITTEN PERMISSION | | | | | | | |



| | | | | | |
|--------------------------------|------|------|--------------|-------------|--------------|
| 16 | 21.4 | 17.4 | 5.21 | 503552-1820 | 18 |
| | | | 4.81 | 503552-1620 | 16 |
| | | | 4.41 | 503552-1420 | 14 |
| | | | 4.01 | 503552-1220 | 12 |
| | | | 3.61 | 503552-1020 | 10 |
| | | | 2.81 | 503552-0620 | 6 |
| キャリアテープ幅 CARRIER TAPE WIDTH | | | C | B | (A) |
| | | | MATERIAL No. | | CKT. |
| | | | MODEL No. | | 503552-***20 |

| | | | | | | | |
|---|---|--|---------------------------------------|--------------|---|---------------------------|---------------------|
| REVISED EC NO: J2013-1507 DRWN: FUJIMAKI 2013/06/13 CHKD: TASAKAWA 2013/06/13 APPR: MORIKAWA 2013/06/14 | DESCRIPTION GENERAL TOLERANCES (UNLESS SPECIFIED) | DIMENSION STYLE MM ONLY | | SCALE 1:1 | DESIGN UNITS METRIC | THIRD ANGLE PROJECTION | |
| | | 10 UNDER ± --- 10 OVER 30 UNDER ± --- 30 OVER ± --- ANGULAR ± --- ° | DRAWN BY DATE RTAKEUCHI 2010/02/08 | | TITLE 0.4 B-TO-B CONN. HGT=0.7 HI-RETENTION PLUG ASSY EMBSTP PKG | | |
| | | DRAFT WHERE APPLICABLE MUST REMAIN WITHIN DIMENSIONS | CHECKED BY DATE THIRATA 2010/02/08 | | APPROVED BY DATE MSASAO 2010/02/08 | | |
| | | | MATERIAL NO. SEE CHART | | DOCUMENT NO. SD-503552-006 | | SHEET NO. 2 OF 2 |