

注記 NOTES

1. 使用材料 MATERIAL  
 ハウジング : 液晶ポリマー ( LCP ) UL94V-0 ( 黒 )  
 HOUSING: LIQUID CRYSTAL POLYMER UL94V-0 (COLOR:BLACK)  
 ターミナル : 銅合金  
 TERMINAL : COPPER ALLOY  
 金具 : 銅合金  
 FITTING NAIL : COPPER ALLOY

2. メッキ仕様 PLATING  
 ターミナル TERMINAL

金メッキ  
 GOLD

下地メッキ : ニッケルメッキ  
 UNDER PLATING : NICKEL

※コンタクト部とテール部はニッケルメッキによって分断されている金メッキです。  
 DIVIDE INTO PARTS THE GOLD PLATING OF THE CONTACT AND THE TAIL PART BY THE NICKEL PLATING.

金具 FITTING NAIL

金メッキ (テール部のみ)  
 GOLD (ONLY TAIL PART)

下地メッキ : ニッケルメッキ  
 UNDER PLATING : NICKEL

△ (全極数 / 2) = 偶数の場合に適用。  
 APPLY FOR (CIRCUIT/2) = EVEN.

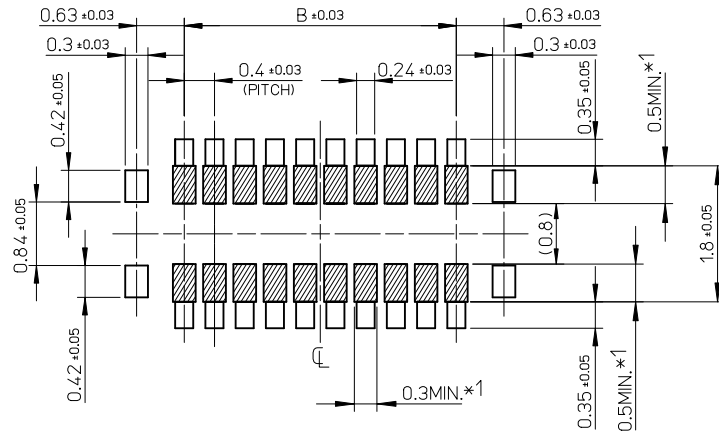
4. 嵌合相手 : 503548 シリーズ  
 MATE WITH : 503548 SERIES.

5. テール平坦度は、0.08 以下

テール及び金具の平坦度は、0.1 以下  
 TAIL COPLANARITY TO BE 0.08 MAXIMUM.  
 TAIL AND FITTING NAIL COPLANARITY TO BE 0.1 MAXIMUM.

3.2	5.06	503552-1880	18
2.8	4.66	503552-1680	16
2.4	4.26	503552-1480	14
2.0	3.86	503552-1280	12
0.8	2.66	503552-0680	6
B	A	EMBOSSED PACKAGE	極数
		オーダー番号 ORDER No.	CIRCUITS
CONNECTOR SERIES No. : 503552-**89			

RELEASED EC NO. : J2011-0380 DRWN: NAITO 2010/09/10 CHKD: RTAKEUCHI 2010/09/10 APPR: MSASAO	DESCRIPTION REV O	GENERAL TOLERANCES (UNLESS SPECIFIED)		DIMENSION STYLE	SCALE	DESIGN UNITS	THIRD ANGLE PROJECTION	
				MM ONLY	15:1	METRIC	◎ □	
		10 UNDER	±0.2	DRAWN BY	DATE	TITLE		
		10 OVER 30 UNDER	±0.25	NAITO	2010/09/10	0.4 B-T-O-B CONN HGT=0.7 W=2.6 HI-RETENTION PLUG ASSY CHECKER TYPE		
		30 OVER	±0.3	CHECKED BY	DATE			
ANGULAR ±1 °		APPROVED BY	DATE	MOLEX INCORPORATED MOLEX				
DRAFT WHERE APPLICABLE MUST REMAIN WITHIN DIMENSIONS		MSASAO	2010/09/15					
		MATERIAL NO.	SEE CHART	DOCUMENT NO.	SD-503552-007			
		SIZE	A3	THIS DRAWING CONTAINS INFORMATION THAT IS PROPRIETARY TO MOLEX INCORPORATED AND SHOULD NOT BE USED WITHOUT WRITTEN PERMISSION				
							SHEET NO. 1 OF 2	



RECOMMENDED P.W. BOARD  
PATTERN LAYOUT

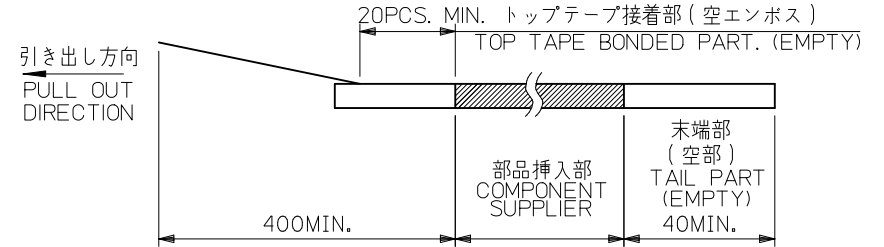
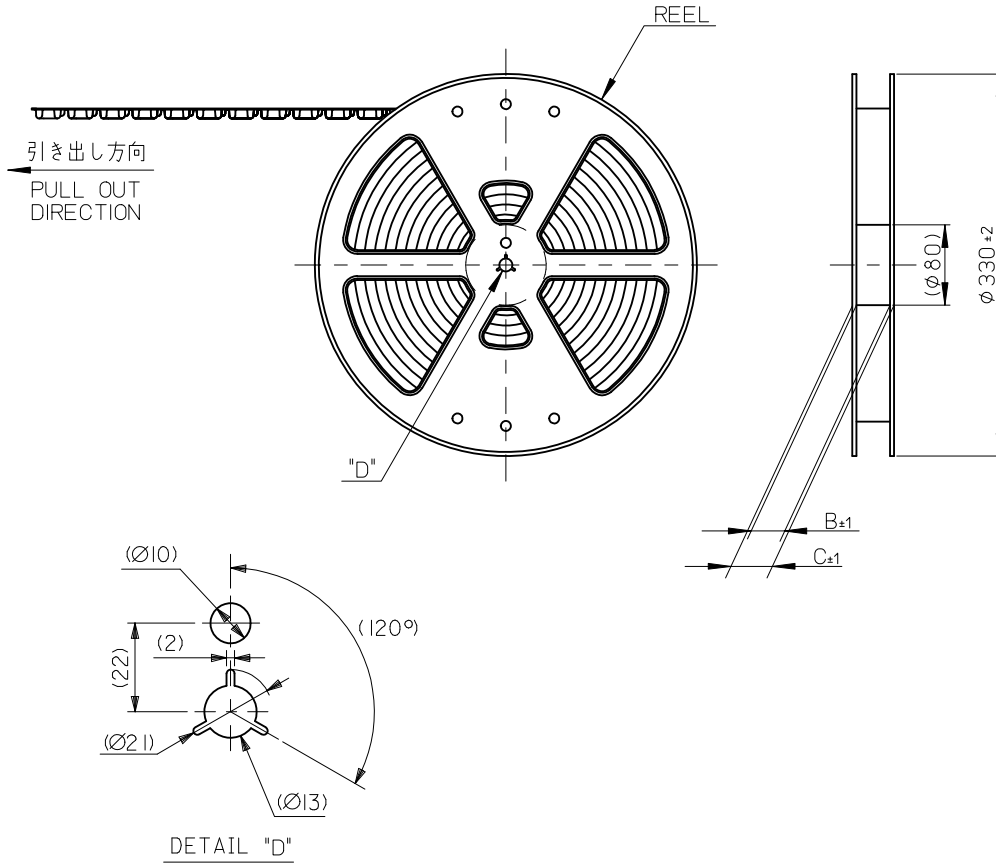
\*1 パターン引き回し、および半田禁止エリア  
(当該箇所においては、これと接する回路以外の配線を禁止する。  
また、接する回路を配線する場合はレジストを施し、この部分に  
半田は無きこととする。)

\*1 PROHIBITED AREA OF PATTERN WIRING AND SOLDER.  
(FOR EACH AREA, THE WIRING THAT TOUCHES ON THE SOLDER  
CAN BE ATTACHED, THEN COVERED WITH A FILM TO KEEP SOLDER OUT.)

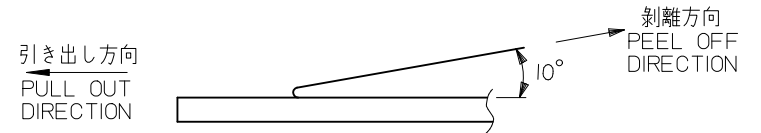
RELEASED EC NO.: J2011-0380 DRWN: NAITO 2010/09/10 CHKD: RTAKEUCHI 2010/09/10 APPR: MSASAO	GENERAL TOLERANCES (UNLESS SPECIFIED)		DIMENSION STYLE MM ONLY	SCALE 15:1	DESIGN UNITS METRIC	THIRD ANGLE PROJECTION
	10 UNDER	± 0.2	DRAWN BY NNAITO	DATE 2010/09/10	TITLE 0.4 B-TO-B CONN HGT=0.7 W=2.6 HI-RETENTION PLUG ASSY CHECKER TYPE	
	10 OVER 30 UNDER	± 0.25	CHECKED BY RTAKEUCHI	DATE 2010/09/10	MOLEX INCORPORATED	
	30 OVER	± 0.3	APPROVED BY MSASAO	DATE 2010/09/15	MATERIAL NO. SEE SHEET 1	DOCUMENT NO. SD-503552-007
0	DESCRIPTION ANGULAR ±1 ° DRAFT WHERE APPLICABLE MUST REMAIN WITHIN DIMENSIONS	THIS DRAWING CONTAINS INFORMATION THAT IS PROPRIETARY TO MOLEX INCORPORATED AND SHOULD NOT BE USED WITHOUT WRITTEN PERMISSION				

注記 NOTES

- 製品詳細寸法については製品単体図面を参照下さい。  
RE DETAILED DIMENSION, SEE PRODUCT DRAWING.
- 梱包数量：3000 個/リール  
NUMBER OF CONNECTORS : 3000PCS/REEL
- リードテープ長さ LEAD TAPE LENGTH

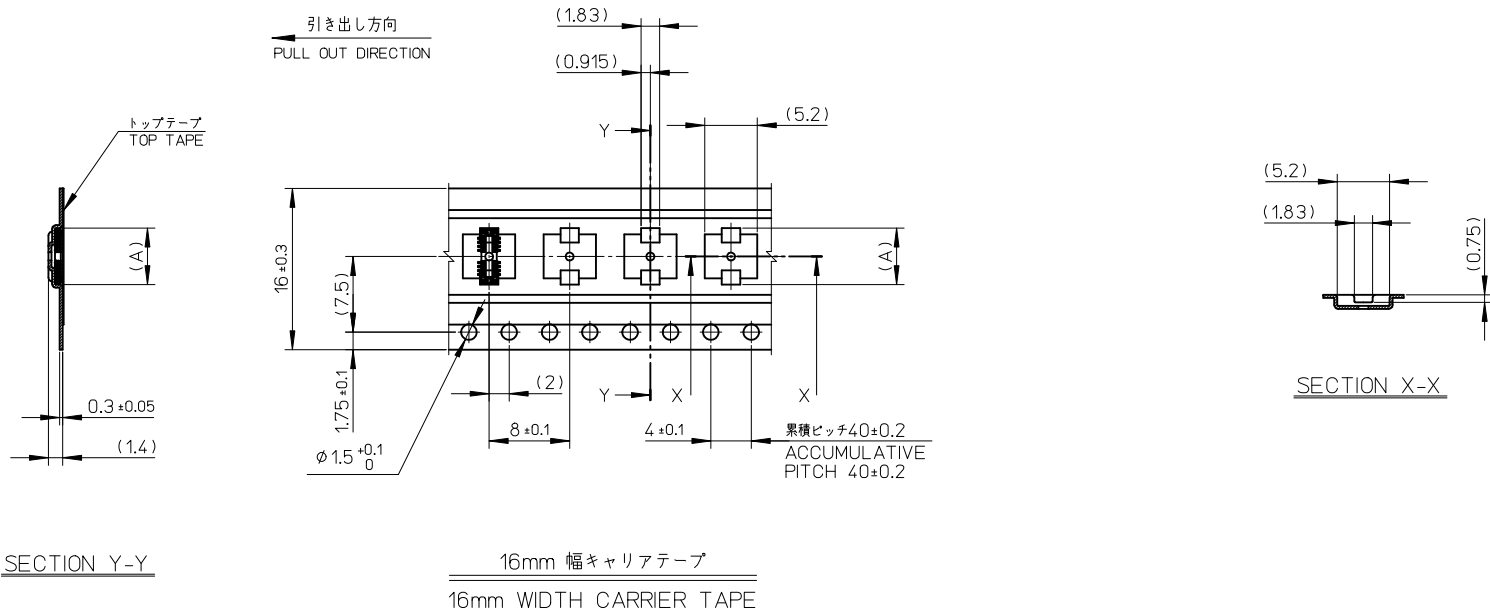


- トップテープの剥離強度：0.1N~1.3N(10gf~130gf)  
(剥離方向は下図参照)  
尚、本規格値は出荷時に適用。(但し、輸送時に剥離が発生しないこと。)  
PEELING OFF FORCE OF TOP TAPE : 0.1N~1.3N(10gf~130gf)  
(PEELING DIRECTION AS SHOWN IN FOLLOWING FIG.)  
THIS REQUIREMENT SHOULD BE APPLIED AT SHIPMENT.  
PEEL OFF SHOULD NOT BE ALLOWED, DURING TRANSPORTION.



- 材料 MATERIAL  
キャリアテープ (CARRIER TAPE) : ポリスチレン (POLYSTYRENE)  
トップテープ (TOP TAPE) : PET , OTHER  
リール (REEL) : ポリスチレン (PS) <リサイクル材を含む>  
POLYSTYRENE (PS) <RECYCLE MATERIAL CONTAINED>
- ELV 及び RoHS適合品  
ELV AND RoHS COMPLIANT

RELEASED EC NO: J2011-0380 DRWN:NAITO 2010/09/10 CHKD:RTAKEUCHI 2010/09/10 APPR:MSASAO	GENERAL TOLERANCES (UNLESS SPECIFIED)		DIMENSION STYLE MM ONLY		SCALE	DESIGN UNITS METRIC	MODEL NO. 503552-**20
	10 UNDER ± ---		DRAWN BY RTAKEUCHI DATE 2010/02/08		TITLE		
	10 OVER 30 UNDER ± ---		CHECKED BY THIRATA DATE 2010/02/08		0.4 B-TO-B CONN. HGT=0.7 HI-RETENTION PLUG ASSY CHECKER TYPE EMBSTP PKG		
	30 OVER ± ---		APPROVED BY MSASAO DATE 2010/02/08		MOLEX MOLEX INCORPORATED		
ANGULAR ± --- °		MATERIAL NO. SEE CHART		DOCUMENT NO. SD-503552-008		SHEET NO. 1 OF 2	
DRAFT WHERE APPLICABLE MUST REMAIN WITHIN DIMENSIONS		SIZE A3		THIS DRAWING CONTAINS INFORMATION THAT IS PROPRIETARY TO MOLEX INCORPORATED AND SHOULD NOT BE USED WITHOUT WRITTEN PERMISSION			



16	21.4	17.4	5.21	503552-1880	18
			4.81	503552-1680	16
			4.41	503552-1480	14
			4.01	503552-1280	12
			2.81	503552-0680	6
キャリアテープ幅 CARRIER TAPE WIDTH			C	B	(A)
			MODEL No.	503552-***80	CKT.

RELEASED EC NO: J2011-0380 DRW: NAITO 2010/09/10 CHK: RTAKEUCHI 2010/09/10 APPR: MSASAO	DESCRIPTION GENERAL TOLERANCES (UNLESS SPECIFIED)	DIMENSION STYLE MM ONLY		SCALE	DESIGN UNITS	THIRD ANGLE PROJECTION		
		10 UNDER ± ---		DRAWN BY RTAKEUCHI	DATE 2010/02/08	TITLE 0.4 B-TO-B CONN. HGT=0.7 HI-RETENTION PLUG ASSY CHECKER TYPE EMBSTP PKG		
		10 OVER 30 UNDER ± ---		CHECKED BY THIRATA	DATE 2010/02/08	MOLEX INCORPORATED		
		30 OVER ± ---		APPROVED BY MSASAO	DATE 2010/02/08	MATERIAL NO. SEE CHART	DOCUMENT NO. SD-503552-008	SHEET NO. 2 OF 2
		ANGULAR ± ° DRAFT WHERE APPLICABLE MUST REMAIN WITHIN DIMENSIONS		THIS DRAWING CONTAINS INFORMATION THAT IS PROPRIETARY TO MOLEX INCORPORATED AND SHOULD NOT BE USED WITHOUT WRITTEN PERMISSION				