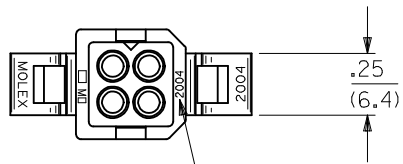


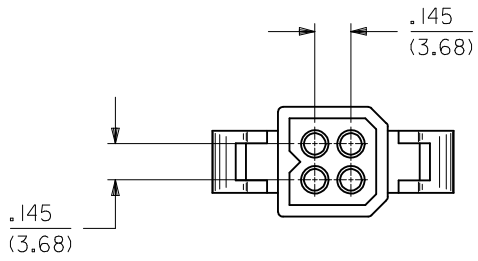
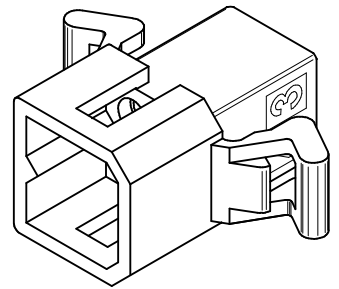
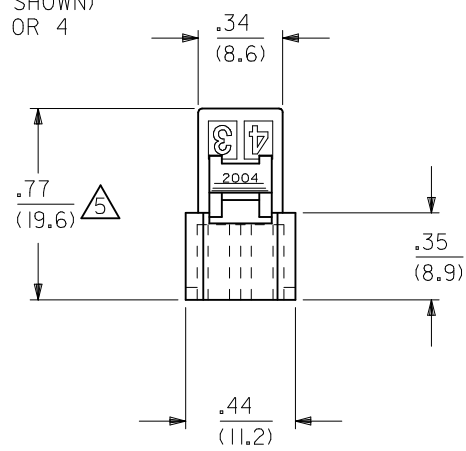
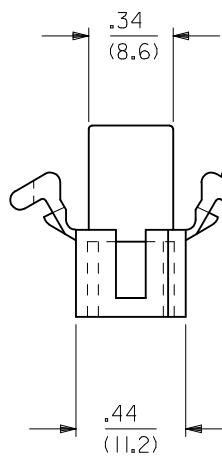
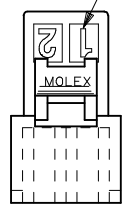
10 9 8 7 6 5 4 3 2 1



ENG. NO. LOCATION FOR PARTS W/O MTG. EARS

CIRCUIT I.D. $\triangle 7$

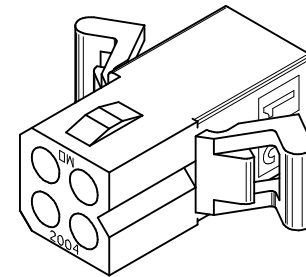
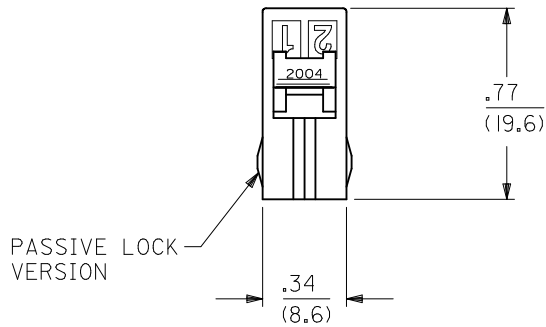
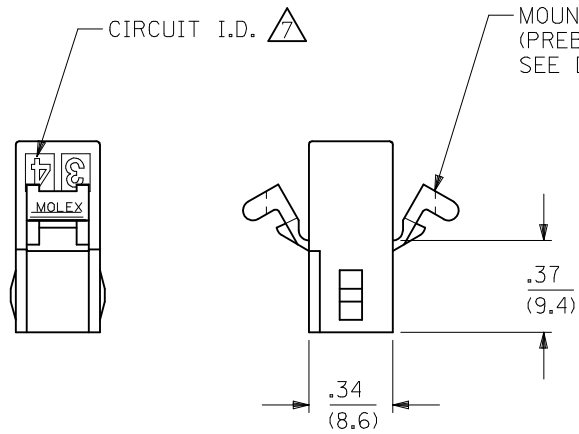
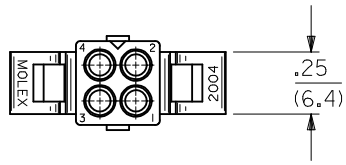
MOUNTING EAR (2 PL.) (PREBENT EAR SHOWN) SEE DETAIL 3 OR 4



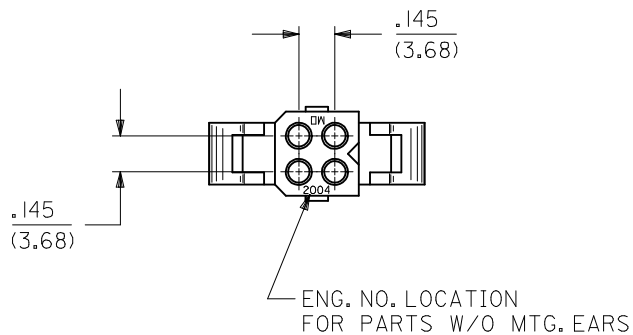
PLUG HOUSING

ADD 46999-0719 EC NO: UCP2015-4798 DRW:MKIPPER 2016/02/03 CHKD:JBELL 2016/02/03 APPR:FSMITH 2016/07/11 K1	DESCRIPTION REV	QUALITY SYMBOLS $\nabla 7=0$ $\nabla 7=0$ $\nabla 7=0$	GENERAL TOLERANCES (UNLESS SPECIFIED) mm INCH 4 PLACES ± --- ± --- 3 PLACES ± --- ± .010 2 PLACES ± 0.25 ± .014 1 PLACE ± 0.36 ± --- 0 PLACE ± --- ± ---	DIMENSION STYLE IN/MM DRAWN BY DATE GWC 1991/08/27 CHECKED BY DATE RW 1991/08/27 APPROVED BY DATE FSMITH 2016/07/11	SCALE 2:1 DESIGN UNITS INCH THIRD ANGLE PROJECTION	TITLE PLUG AND RECEPTACLE HOUSINGS, 4 CIRCUIT, .062 DIA., .145 CTRS.
		ANGULAR ± 1° DRAFT WHERE APPLICABLE MUST REMAIN WITHIN DIMENSIONS	MATERIAL NO. SEE CHART	DOCUMENT NO. SD-2004-*	SHEET NO. 1 OF 3	
		THIS DRAWING CONTAINS INFORMATION THAT IS PROPRIETARY TO MOLEX INCORPORATED AND SHOULD NOT BE USED WITHOUT WRITTEN PERMISSION				
		molex				

9 8 7 6 5 4 3 2 1



RECEPTACLE HOUSING



SEE SHEET 1 EC NO: UCP2015-4798 DRAWN: KIPPER 2016/02/03 CHKD: JBELL 2016/02/03 APPR: FSMITH 2016/07/11	DESCRIPTION REV K1	QUALITY SYMBOLS ▽/0 ▽/0 ▽/0	GENERAL TOLERANCES (UNLESS SPECIFIED) mm INCH 4 PLACES ± --- ± --- 3 PLACES ± --- ± .010 2 PLACES ± 0.25 ± .014 1 PLACE ± 0.36 ± --- 0 PLACE ± --- ± ---	DIMENSION STYLE IN/MM DRAWN BY DATE GWC 1991/08/27 CHECKED BY DATE RW 1991/08/27 APPROVED BY DATE FSMITH 2016/07/11	SCALE 2:1 DESIGN UNITS INCH THIRD ANGLE PROJECTION	TITLE PLUG AND RECEPTACLE HOUSINGS, 4 CIRCUIT, .062 DIA., .145 CTRS.	
		ANGULAR ± 1° DRAFT WHERE APPLICABLE MUST REMAIN WITHIN DIMENSIONS		MATERIAL NO. SEE CHART	DOCUMENT NO. SD-2004-*	SHEET NO. 2 OF 3	
		THIS DRAWING CONTAINS INFORMATION THAT IS PROPRIETARY TO MOLEX INCORPORATED AND SHOULD NOT BE USED WITHOUT WRITTEN PERMISSION					
		MOLEX					

PLUG	
PART NO.	ENG. NO.
03-06-2043	2004-P
03-06-7043	2004-PBK
03-06-2044	2004-PI
03-06-7044	2004-PIBK
46999-0719	2004-P2

RECEPTACLE	
PART NO.	ENG. NO.
03-06-1043	2004-R
03-06-6043	2004-RBK
03-06-1044	2004-R1
PRELIMINARY	2004-R2

LEGEND:

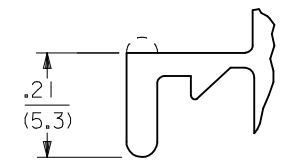
2004-***

P = PLUG
R = RECEPTACLE

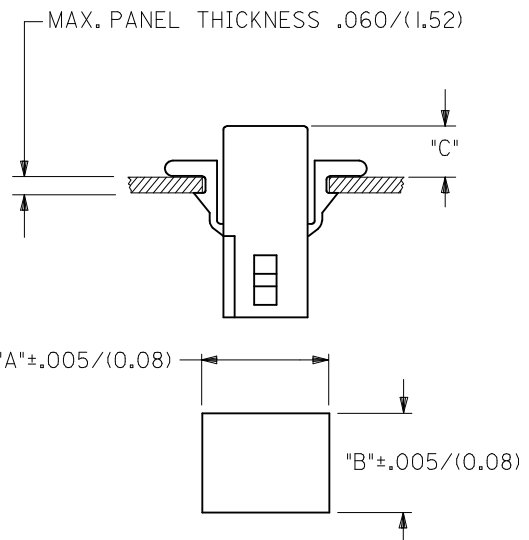
BLANK = WITH STANDARD EARS
1 = WITHOUT EARS
2 = WITH PREBENT EARS

COLOR:

BLANK = NATURAL
AM=AMBER BK=BLACK BU=BLUE
BN=BROWN GY=GRAY GN=GREEN
OR=ORANGE RD=RED YW=YELLOW



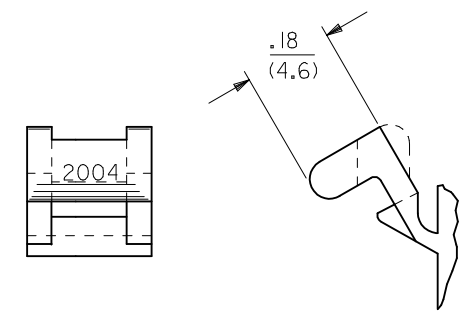
DETAIL 3
STANDARD MOUNTING EARS
(SCALE 4:1)



RECOMMENDED HOLE PATTERN

HOUSING	DIM. "A"	DIM. "B"	PREBENT EAR DIM. "C"	STD. EAR DIM. "C"
PLUG	.615 (15.62)	.465 (11.81)	.26 (6.6)	.26 (6.6)
RECEPTACLE	.506 (12.85)	.400 (10.16)	.24 (6.1)	.24 (6.1)

- NOTES:**
- MATERIAL: NYLON 6/6 UL94V-2, COLOR: SEE LEGEND
 - FINISH: NONE
 - PRODUCT SPECIFICATION: PS-02-06
 - PACKAGING SPECIFICATION: 20040000-PK
 - THIS DIMENSION DEPENDS ON TOOLING AND MAY BE 0.75/(9.1) ON SOME PARTS.
 - HOUSINGS FOR USE WITH MOLEX .062/(1.57) DIA. TERMINALS.
 - CIRCUIT I.D. NUMBERS ON SIDE OF HOUSING DEPENDS ON TOOLING AND MAY OR MAY NOT BE PRESENT.
 - PARTS CONFORM TO CLASS B REQUIREMENTS OF COSMETIC SPECIFICATION PS-45499-002.



DETAIL 4
PREBENT MOUNTING EARS
(SCALE 4:1)

SEE SHEET 1 EC NO: UCP2015-4798 DRAWN: KIPPER 2016/02/03 CHKD: JBELL 2016/02/03 APPR: FSMITH 2016/07/11 K1	QUALITY SYMBOLS ▽=0 ▽=0 ▽=0	GENERAL TOLERANCES (UNLESS SPECIFIED) mm INCH 4 PLACES ± --- ± --- 3 PLACES ± --- ± .010 2 PLACES ± 0.25 ± .014 1 PLACE ± 0.36 ± --- 0 PLACE ± --- ± ---	DIMENSION STYLE IN/MM DRAWN BY DATE GWC 1991/08/27 CHECKED BY DATE RW 1991/08/27 APPROVED BY DATE FSMITH 2016/07/11	SCALE 2:1 DESIGN UNITS INCH THIRD ANGLE PROJECTION	TITLE PLUG AND RECEPTACLE HOUSINGS, 4 CIRCUIT, .062 DIA., .145 CTRS.
		ANGULAR ± 1° DRAFT WHERE APPLICABLE MUST REMAIN WITHIN DIMENSIONS	MATERIAL NO. SEE CHART	DOCUMENT NO. SD-2004-*	SHEET NO. 3 OF 3
		THIS DRAWING CONTAINS INFORMATION THAT IS PROPRIETARY TO MOLEX INCORPORATED AND SHOULD NOT BE USED WITHOUT WRITTEN PERMISSION			
		SIZE B			