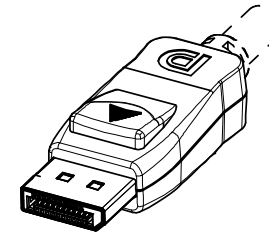
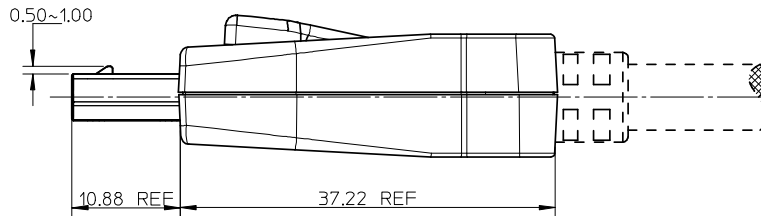
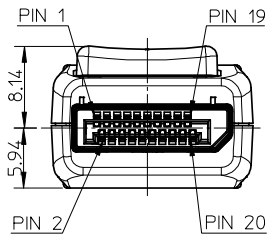
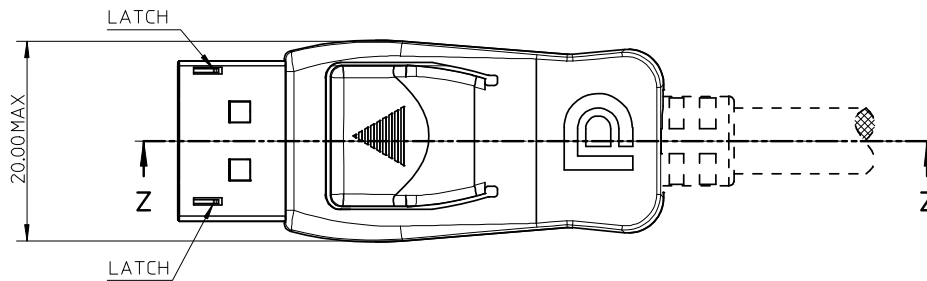


WITH LATCHES



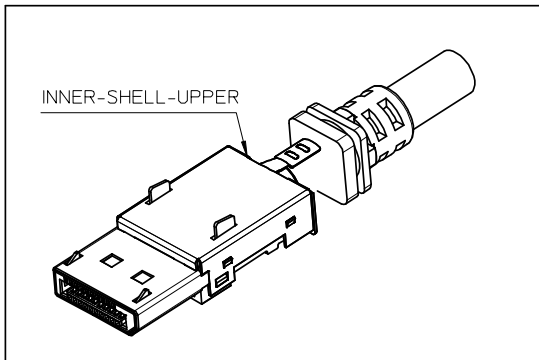
WITHOUT LATCHES



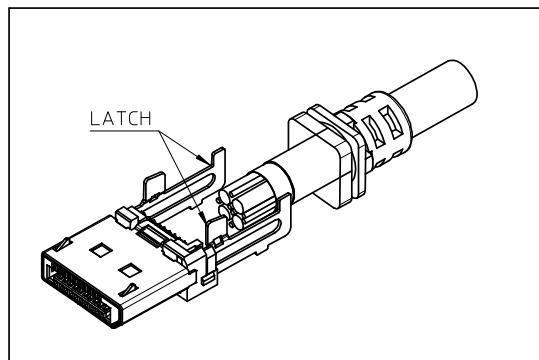
NOTES:

1. CABLE ASSEMBLY DRAWING ONLY FOR CUSTOMER REFERENCE. ALL COMPONENTS WILL BE DELIVERED DISPERSEDLY.
2. THIS PART MEET VESA PROPOSED STANDARD, VERSION1.1.
3. MATES WITH 47272-0001
4. USE WITH CABLE 28&30 AWG
5. MATERIAL :  
HOUSING : HGIIH TEMPERATURE THERMAL PLASTIC GLASS FILLED , BLACK, UL94V-0  
TERMINAL: COPPER ALLOY THICKNESS 0.3 MM  
SHIELD CASE : COPPER ALLOY THICKNESS 0.3 MM
6. PLATING :  
TERMINAL:  
CONTACT AREA : GOLD 0.76 MICROMETER MINIMUM.  
UNDER PLATING : NICKEL 1.27 MICROMETER MINIMUM.
7. PRODUCT SPEC: PS-47272-001
8. CONNECTOR DIRECT SOLDER WITH WIRE
9. PRODUCT COMPLANT TO ROHS DIERTIVE 2002/95/EC AND ELV DIRECTIVE 2000/53/EC

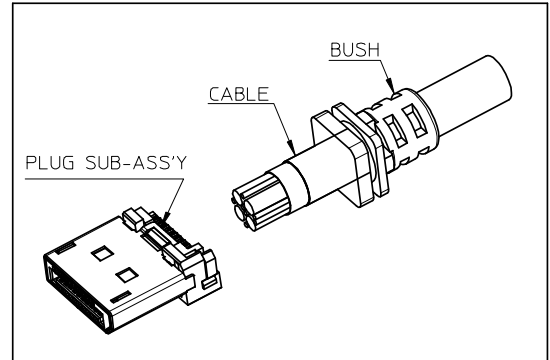
NEW RELEASE EC NO: SH2008-0288 DRWN: HHE 2008/04/07 CHKD: RZHANG 2008/04/07 APPR: HWANG 2008/04/25 REV DESCRIPTION	QUALITY SYMBOLS	GENERAL TOLERANCES (UNLESS SPECIFIED)	DIMENSION STYLE	SCALE	DESIGN UNITS	THIRD ANGLE PROJECTION
	$\nabla = 0$ $\text{C} = 0$	mm INCH 4 PLACES ± --- ± --- 3 PLACES ± --- ± --- 2 PLACES ± 0.15 ± --- 1 PLACE ± 0.15 ± --- ANGULAR ± 1 °	MM ONLY	2:1	METRIC	
		DRAFT WHERE APPLICABLE MUST REMAIN WITHIN DIMENSIONS	DRAWN BY QWFANG DATE 2006/09/05 CHECKED BY IWANG DATE 2006/09/05 APPROVED BY JNCHEN DATE 2006/09/05	TITLE	PLUG ASS'Y FOR DISPLAYPORT	
			MATERIAL NO. SEE SHEET 3	DOCUMENT NO. SD-47271-001	MOLEX INCORPORATED	
			SIZE A3	THIS DRAWING CONTAINS INFORMATION THAT IS PROPRIETARY TO MOLEX INCORPORATED AND SHOULD NOT BE USED WITHOUT WRITTEN PERMISSION		
						SHEET NO. 1 OF 5



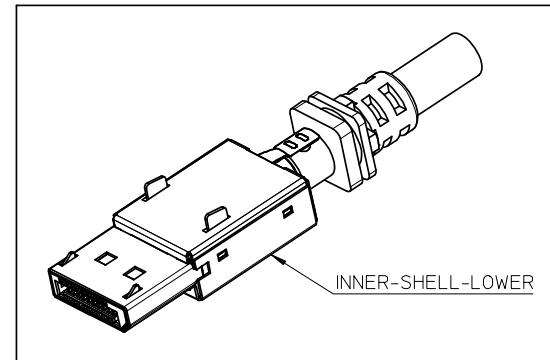
ASSEMBLING THE INNER-SHELL-UPPER



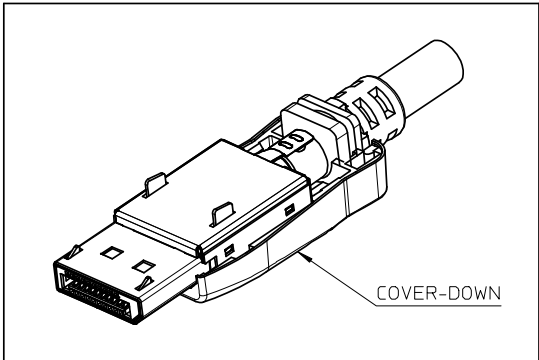
ASSEMBLING THE LATCHES  
(W/O LATCH TYPE NEEDN'T THIS STEP)



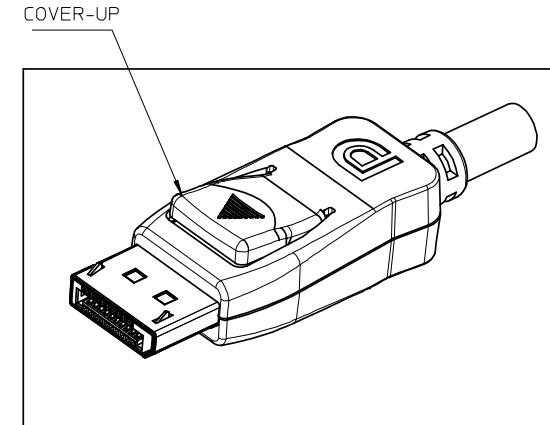
WELDING SUB-ASS'Y AND CABLE



ASSEMBLING THE INNER-SHELL-LOWER



ASSEMBLING THE COVER-DOWN



ASSEMBLING THE COVER-UP

ASSEMBLY PROCESS

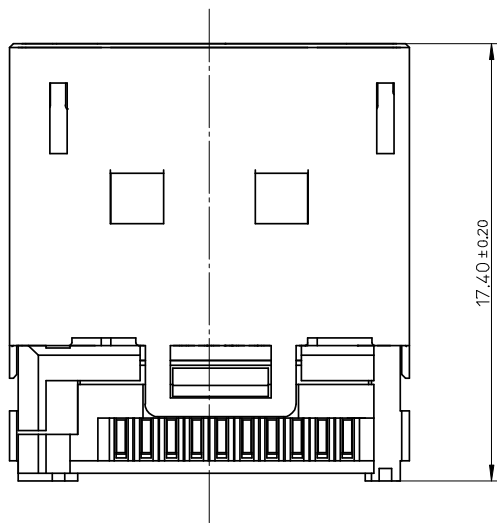
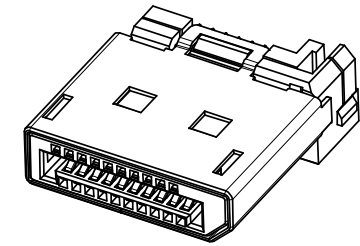
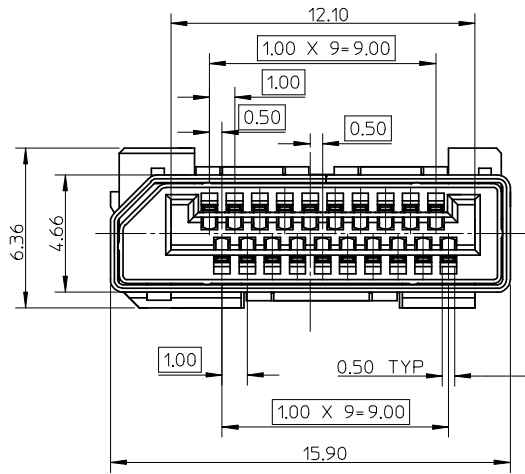
SEE SHEET 1 EC NO: SH2008-0288 DRWN: HHE 2008/04/07 CHKD: RZHANG 2008/04/08 APPR: HWANG 2008/04/25	QUALITY SYMBOLS ▽=0 ◻=0	GENERAL TOLERANCES (UNLESS SPECIFIED) <table border="1"> <thead> <tr> <th></th> <th>mm</th> <th>INCH</th> </tr> </thead> <tbody> <tr> <td>4 PLACES</td> <td>± ---</td> <td>± ---</td> </tr> <tr> <td>3 PLACES</td> <td>± ---</td> <td>± ---</td> </tr> <tr> <td>2 PLACES</td> <td>± 0.15</td> <td>± ---</td> </tr> <tr> <td>1 PLACE</td> <td>± 0.15</td> <td>± ---</td> </tr> </tbody> </table>		mm	INCH	4 PLACES	± ---	± ---	3 PLACES	± ---	± ---	2 PLACES	± 0.15	± ---	1 PLACE	± 0.15	± ---	DIMENSION STYLE MM ONLY	SCALE 2:1	DESIGN UNITS METRIC	THIRD ANGLE PROJECTION
		mm	INCH																		
	4 PLACES	± ---	± ---																		
	3 PLACES	± ---	± ---																		
	2 PLACES	± 0.15	± ---																		
1 PLACE	± 0.15	± ---																			
DRAWN BY QWFANG	DATE 2006/09/05	TITLE PLUG ASS'Y FOR DISPLAYPORT																			
CHECKED BY IWANG	DATE 2006/09/05	MOLEX INCORPORATED																			
APPROVED BY JNCHEN	DATE 2006/09/05	MATERIAL NO. SEE SHEET 3	DOCUMENT NO. SD-47271-001	SHEET NO. 2 OF 5																	
DRAFT WHERE APPLICABLE MUST REMAIN WITHIN DIMENSIONS																					

COMPONENT	PLUG SUB-ASS'Y	COVER-DOWN	COVER-UP	INNER-SHELL-UPPER	INNER-SHELL-LOWER	LATCH	LATCH	REMARK
COMPONENT P/N	47271-0011	47271-0005	47271-0004	47271-1008	47271-1009	47271-1016	47271-2016	WITH LATCH
	47271-1011	47271-0005	47271-1004	47271-3008	47271-1009	/	/	WITHOUT LATCH
	DETAIL SEE SD-47271-001	DETAIL SEE SD-47271-005	DETAIL SEE SD-47271-004	DETAIL SEE SD-47271-008	DETAIL SEE SD-47271-009	DETAIL SEE SD-47271-006		

NOTES:  
ALL COMPONENTS QUANTITY ARE 1.

SEE SHEET 1 EC NO: SH2008-0288 DRWN: HHE 2008/04/07 CHKD: RZHANG 2008/04/08 APPR: HWANG 2008/04/25	QUALITY SYMBOLS	GENERAL TOLERANCES (UNLESS SPECIFIED)		DIMENSION STYLE MM ONLY		SCALE 5:1	DESIGN UNITS METRIC	THIRD ANGLE PROJECTION	
	▽=0	4 PLACES	mm	INCH	DRAWN BY	DATE	TITLE		
	∇=0	3 PLACES	± ---	± ---	QWFANG	2006/09/05	PLUG ASS'Y FOR DISPLAYPORT		
		2 PLACES	± 0.15	± ---	CHECKED BY	DATE	MOLEX INCORPORATED		
	1 PLACE	± 0.15	± ---	IWANG	2006/09/05	APPROVED BY			
					JNCHEN	2006/09/05	DOCUMENT NO.		
					ANGULAR ± 1 °		MATERIAL NO.		SHEET NO.
					DRAFT WHERE APPLICABLE MUST REMAIN WITHIN DIMENSIONS		SEE TABLE		3 OF 5
					SIZE	THIS DRAWING CONTAINS INFORMATION THAT IS PROPRIETARY TO MOLEX INCORPORATED AND SHOULD NOT BE USED WITHOUT WRITTEN PERMISSION			
					A3				

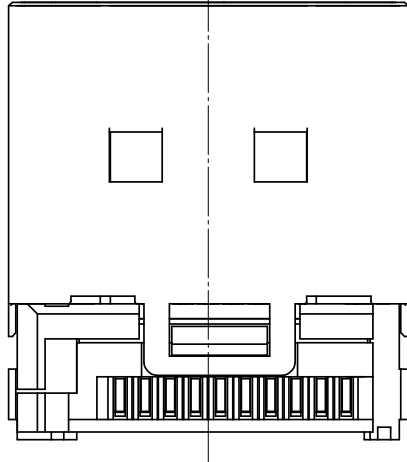
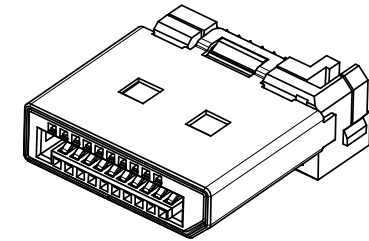
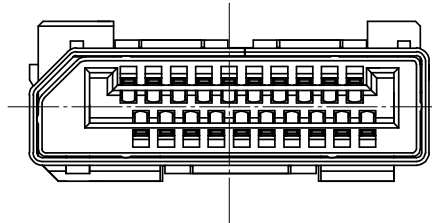
10 9 8 7 6 5 4 3 2 1



NOTES:  
THIS PART IS WITH LATCHES TYPE.  
CAN BE ASSEMBLED WITH LATCHES.

SEE SHEET1 EC NO: SH2008-0288 DRWN:HE 2008/04/07 CHKD:RZHANG 2008/04/08 APPR:HWANG 2008/04/25	DESCRIPTION QUALITY SYMBOLS ▽=0 ◻=0	GENERAL TOLERANCES (UNLESS SPECIFIED)		DIMENSION STYLE MM ONLY		SCALE 5:1	DESIGN UNITS METRIC	THIRD ANGLE PROJECTION		
			mm	INCH	DRAWN BY	DATE	TITLE PLUG ASS'Y FOR DISPLAYPORT			
		4 PLACES	± ---	± ---	QWFANG	2006/09/05				
			mm	INCH	CHECKED BY	DATE	MOLEX INCORPORATED			
3 PLACES	± ---	± ---	IWANG	2006/09/05						
	mm	INCH	APPROVED BY	DATE	MATERIAL NO. 47271-0011		DOCUMENT NO. SD-47271-001		SHEET NO. 4 OF 5	
	mm	INCH	ANGULAR ± 1 °		THIS DRAWING CONTAINS INFORMATION THAT IS PROPRIETARY TO MOLEX INCORPORATED AND SHOULD NOT BE USED WITHOUT WRITTEN PERMISSION					
DRAFT WHERE APPLICABLE MUST REMAIN WITHIN DIMENSIONS										

9 8 7 6 5 4 3 2 1



NOTES:  
 THIS PART IS WITHOUT LATCHES TYPE.  
 CAN'T BE ASSEMBLED WITH LATCHES.  
 UNSPECIFIED DIMENSIONS ARE SAME AS SHEET 4.

SEE SHEET1 EC NO: SH2008-0288 DRWN: HHE 2008/08/06/07 CHK: KDRZHANG 2008/04/08 APPR: HWANG 2008/04/25	DESCRIPTION REV	QUALITY SYMBOLS ▽=0 ◻=0	GENERAL TOLERANCES (UNLESS SPECIFIED)		DIMENSION STYLE MM ONLY		SCALE 5:1	DESIGN UNITS METRIC	THIRD ANGLE PROJECTION																										
			<table border="1"> <thead> <tr> <th></th> <th>mm</th> <th>INCH</th> </tr> </thead> <tbody> <tr> <td>4 PLACES</td> <td>± ---</td> <td>± ---</td> </tr> <tr> <td>3 PLACES</td> <td>± ---</td> <td>± ---</td> </tr> <tr> <td>2 PLACES</td> <td>± 0.15</td> <td>± ---</td> </tr> <tr> <td>1 PLACE</td> <td>± 0.15</td> <td>± ---</td> </tr> </tbody> </table>		mm	INCH	4 PLACES	± ---	± ---	3 PLACES	± ---	± ---	2 PLACES	± 0.15	± ---	1 PLACE	± 0.15	± ---	<table border="1"> <thead> <tr> <th>DRAWN BY</th> <th>DATE</th> <th>TITLE</th> </tr> </thead> <tbody> <tr> <td>QWFANG</td> <td>2006/09/05</td> <td rowspan="4" style="text-align: center; vertical-align: middle;">                     PLUG ASS'Y                      FOR DISPLAYPORT                       MOLEX INCORPORATED                 </td> </tr> <tr> <td>CHECKED BY</td> <td>DATE</td> </tr> <tr> <td>IWANG</td> <td>2006/09/05</td> </tr> <tr> <td>APPROVED BY</td> <td>DATE</td> </tr> </tbody> </table>	DRAWN BY	DATE	TITLE	QWFANG	2006/09/05	PLUG ASS'Y FOR DISPLAYPORT  MOLEX INCORPORATED	CHECKED BY	DATE	IWANG	2006/09/05	APPROVED BY	DATE	MATERIAL NO. 47271-1011		DOCUMENT NO. SD-47271-001	SHEET NO. 5 OF 5
			mm	INCH																															
		4 PLACES	± ---	± ---																															
3 PLACES	± ---	± ---																																	
2 PLACES	± 0.15	± ---																																	
1 PLACE	± 0.15	± ---																																	
DRAWN BY	DATE	TITLE																																	
QWFANG	2006/09/05	PLUG ASS'Y FOR DISPLAYPORT  MOLEX INCORPORATED																																	
CHECKED BY	DATE																																		
IWANG	2006/09/05																																		
APPROVED BY	DATE																																		
DRAFT WHERE APPLICABLE MUST REMAIN WITHIN DIMENSIONS			SIZE A3	THIS DRAWING CONTAINS INFORMATION THAT IS PROPRIETARY TO MOLEX INCORPORATED AND SHOULD NOT BE USED WITHOUT WRITTEN PERMISSION																															