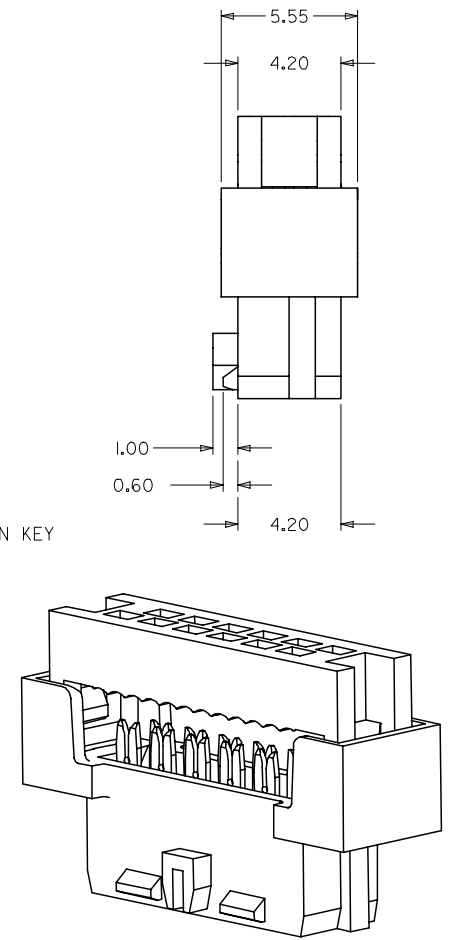
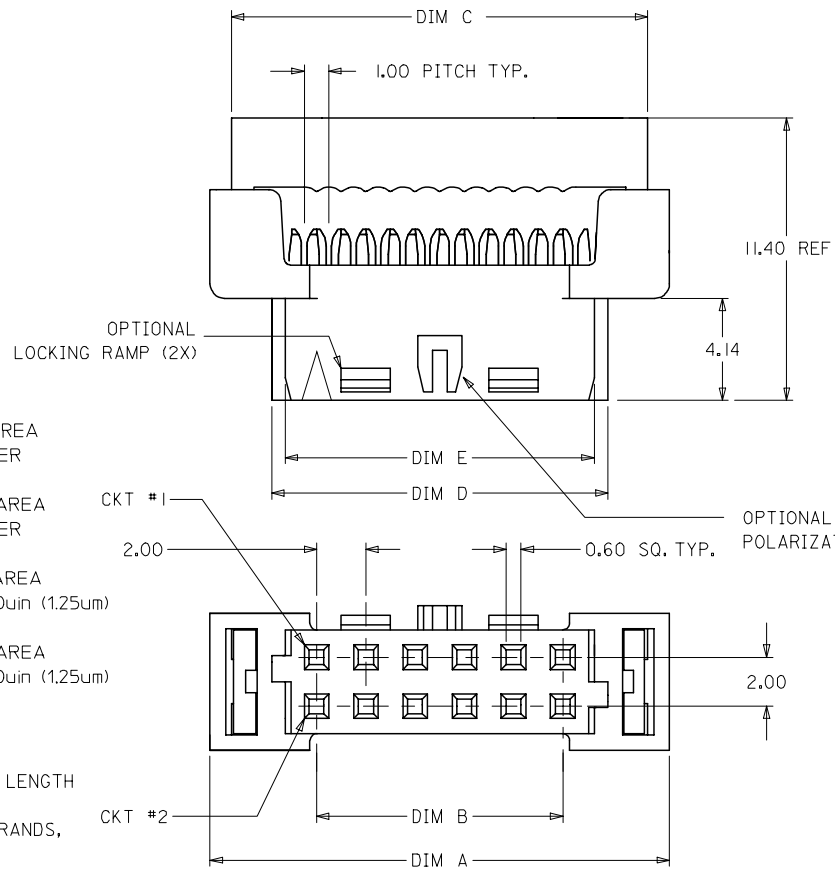


10 9 8 7 6 5 4 3 2 1

1. MATERIALS:
 HOUSING - PBT, GLASS FILLED UL94V-0 BLACK
 TERMINAL - COPPER ALLOY
2. FINISHES
- PLATING 1 - 15µin (0.38µm) SELECTIVE GOLD IN CONTACT AREA AND 75µin (1.88µm) TIN/LEAD IN IDT AREA OVER 50µin (1.25µm) NICKEL OVERALL.
- PLATING 2 - 30µin (0.76µm) SELECTIVE GOLD IN CONTACT AREA AND 75µin (1.88µm) TIN/LEAD IN IDT AREA OVER 50µin (1.25µm) NICKEL OVERALL.
- PLATING 3 - 15µin (0.38µm) SELECTIVE GOLD IN CONTACT AREA AND 75µin (1.88µm) TIN IN IDT AREA OVER 50µin (1.25µm) NICKEL OVERALL.
- PLATING 4 - 30µin (0.76µm) SELECTIVE GOLD IN CONTACT AREA AND 75µin (1.88µm) TIN IN IDT AREA OVER 50µin (1.25µm) NICKEL OVERALL.
3. PRODUCT SPEC PS-87568-004 APPLIES
4. FOR ILLUSTRATION PURPOSES, I2 CKT IS SHOWN
5. PART MATES WITH ALL MILLIGRID HEADERS WITH MATING LENGTH BETWEEN 2.50mm AND 4.20mm
6. PART IS DESIGNED FOR 1.00mm PITCH FLAT CABLE, 7 STRANDS, AWG #28, UL2651 AND UL2678
7. ALL OTHER CIRCUIT SIZES, CONTACT FACTORY.
8. STRAIN RELIEF TO BE PURCHASED SEPERATELY, REFER TO SD-87569-008

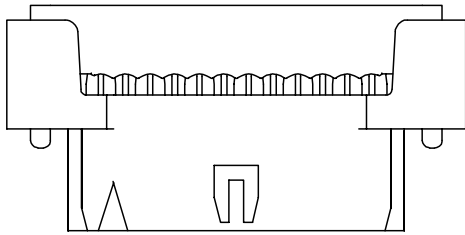


PDR No: S-001141-00-00 EC NO: S2006-0680 DRWN: LO/IAO CHKD: BOKOK APPR: PTL/IM	QUALITY SYMBOLS ▽=0 ▽C=0	GENERAL TOLERANCES (UNLESS SPECIFIED)		DIMENSION STYLE MM ONLY		SCALE NTS	DESIGN UNITS METRIC	THIRD ANGLE PROJECTION		
			mm	INCH	DRAWN BY	DATE	MGRID, 2MM DUAL ROW IDT RECEPTACLE			
		4 PLACES	± ---	± ---	AGARWAL	1997/08/05				
		3 PLACES	± ---	± ---	CHECKED BY	DATE	MOLEX INCORPORATED			
2 PLACES	± 0.15	± ---	SQUEK	1997/09/03						
1 PLACE	± ---	± ---	APPROVED BY	DATE	SD-87568-003					
ANGULAR ± 3 °			JAMES	1997/09/03						
DRAFT WHERE APPLICABLE MUST REMAIN WITHIN DIMENSIONS		SEE TABLE		MATERIAL NO.		DOCUMENT NO.		SHEET NO.		
				A3		THIS DRAWING CONTAINS INFORMATION THAT IS PROPRIETARY TO MOLEX INCORPORATED AND SHOULD NOT BE USED WITHOUT WRITTEN PERMISSION		1 OF 3		

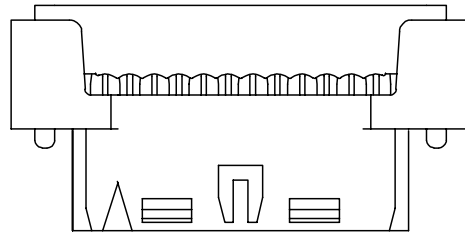
9 8 7 6 5 4 3 2 1

10 9 8 7 6 5 4 3 2 1

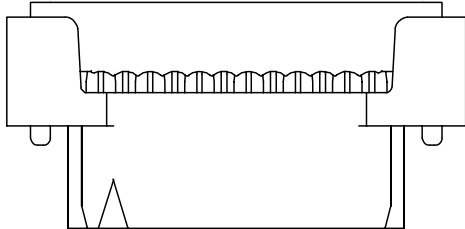
ENGINEERING NUMBER	CKT. SIZE	A	B	C	D	E
87568-10**	10	16.65	8.00	14.90	11.65	10.55
87568-12**	12	18.65	10.00	16.90	13.65	12.55
87568-14**	14	20.65	12.00	18.90	15.65	14.55
87568-16**	16	22.65	14.00	20.90	17.65	16.55
87568-20**	20	26.65	18.00	24.90	21.65	20.55
87568-22**	22	28.65	20.00	26.90	23.65	22.55
87568-24**	24	30.65	22.00	28.90	25.65	24.55
87568-26**	26	32.65	24.00	30.90	27.65	26.55
87568-30**	30	36.65	28.00	34.90	31.65	30.55
87568-34**	34	40.65	32.00	38.90	35.65	34.55
87568-36**	36	42.65	34.00	40.90	37.65	36.55
87568-40**	40	46.65	38.00	44.90	41.65	40.55
87568-44**	44	50.65	42.00	48.90	45.65	44.55
87568-50**	50	56.65	48.00	54.90	51.65	50.55



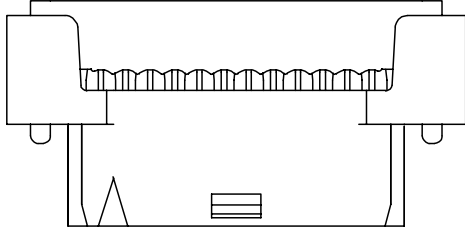
87568-***4*
POLARIZATION ONLY
(APPLICABLE FOR 14 TO 50 CKT)



87568-***9*
POLARIZATION AND RAMP LOCKING
(APPLICABLE FOR 14 TO 50 CKT)



87568-***6*
NO POLARIZATION/RAMP FEATURE
(APPLICABLE FOR 10 TO 50 CKT)



87568-***7*
SINGLE RAMP LOCKING ONLY
(APPLICABLE FOR 10 TO 12 CKT)

87568 - * * * *
CKT. SIZE

PLATING OPTION
(SEE NOTE 2)

POLARIZATION KEY
& LOCKING RAMP OPTION

- 4 - WITH POLARIZATION ONLY FOR 14 - 50 CKT
- 6 - WITHOUT POLARIZATION AND RAMP LOCKING
- 7 - WITH SINGLE RAMP LOCKING ONLY FOR 10 & 12 CKT
- 9 - WITH POLARIZATION AND RAMP LOCKING FOR 14 - 50 CKT

10-12 CIRCUIT SIZE HAS ONLY ONE RAMP
FOR LOCKING (OPTIONAL)

14-50 CIRCUIT SIZE HAS BOTH
POLARIZATION AND RAMP LOCKING (OPTIONAL)

PDR No: S-001141-00-00 EC NO: S2006-0680 DRWN: LO/IAO CHKD: BOKOK APPR: PTL/IM	2006/01/05 2006/01/05 2006/01/06	DESCRIPTION G2	QUALITY SYMBOLS ▽=0 ▽=0	GENERAL TOLERANCES (UNLESS SPECIFIED)		DIMENSION STYLE MM ONLY		SCALE NTS	DESIGN UNITS METRIC	THIRD ANGLE PROJECTION				
					mm	INCH	DRAWN BY JAMES	DATE 1998/06/23	TITLE MGRID, 2MM DUAL ROW IDT RECEPTACLE					
				4 PLACES	± ---	± ---	CHECKED BY SQUEK	DATE 1998/07/15						
				3 PLACES	± ---	± ---	APPROVED BY SKTOH	DATE 1998/07/16	MATERIAL NO. SKTOH DOCUMENT NO. SD-87568-003 SHEET NO. 2 OF 3					
				2 PLACES	± 0.15	± ---	DRAFT WHERE APPLICABLE MUST REMAIN WITHIN DIMENSIONS							
1 PLACE	± ---	± ---	ANGULAR ± 3 °											

9 8 7 6 5 4 3 2 1

10 9 8 7 6 5 4 3 2 1

F

E

D

C

B

A

F

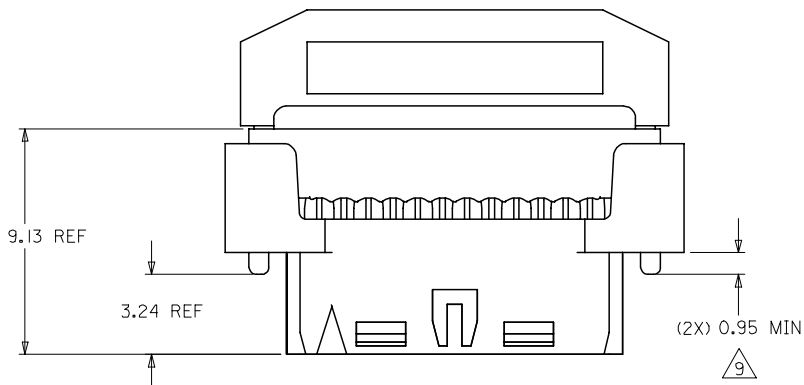
E

D

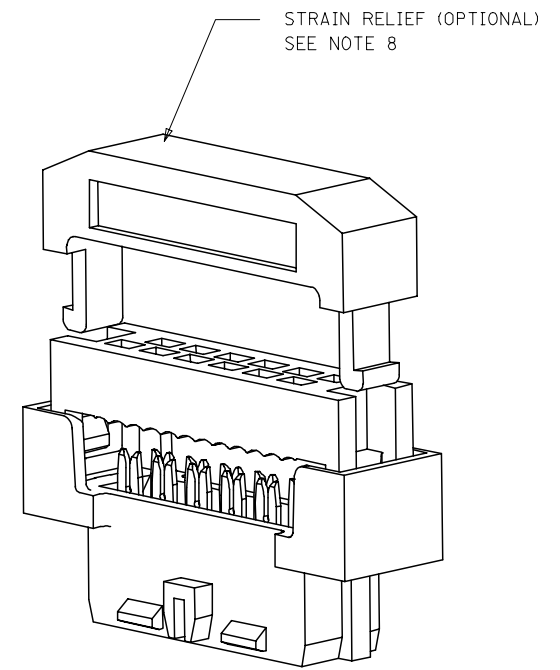
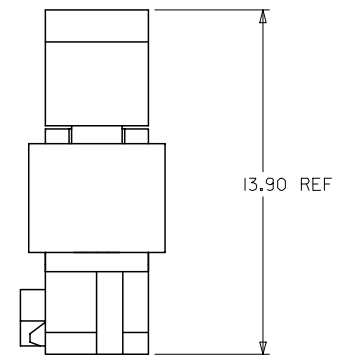
C

B

A



CABLE LOADED ASSEMBLY WITH STRAIN RELIEF



3D VIEW
(12 CKT SHOWN FOR ILLUSTRATION ONLY)

NOTES

9 THIS DIMENSION IS TO ENSURE GOOD CABLE TERMINATION.

PDR No: S-001141-00-00 EC NO: S2006-0680 DRWN: LO/IAO CHKD: BOKOK APPR: PTL/IM	2006/01/05 2006/01/05 2006/01/06	DESCRIPTION G2	QUALITY SYMBOLS	GENERAL TOLERANCES (UNLESS SPECIFIED)	DIMENSION STYLE	SCALE	DESIGN UNITS	THIRD ANGLE PROJECTION
			$\nabla=0$ $\triangle=0$	mm INCH	MM ONLY	NTS	METRIC	
			4 PLACES ± --- ± --- 3 PLACES ± --- ± --- 2 PLACES ± 0.15 ± --- 1 PLACE ± --- ± --- ANGULAR ± 3 °	DRAWN BY: MSAKTHI DATE: 1999/02/26 CHECKED BY: JSGOH DATE: 1999/07/19 APPROVED BY: JAMES DATE: 1999/07/19	TITLE			
			DRAFT WHERE APPLICABLE MUST REMAIN WITHIN DIMENSIONS	MATERIAL NO. DOCUMENT NO. SHEET NO.	MGRID, 2MM DUAL ROW IDT RECEPTACLE	MOLEX INCORPORATED	SD-87568-003	3 OF 3

9 8 7 6 5 4 3 2 1