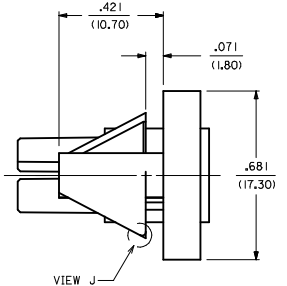
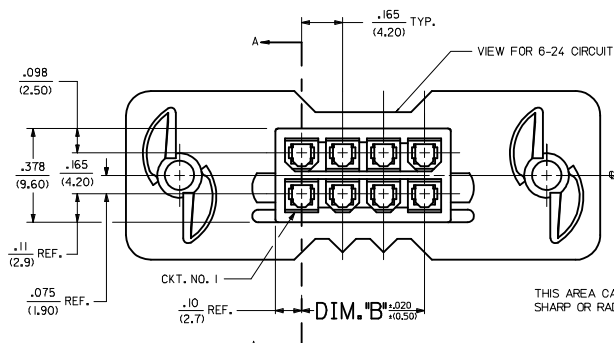
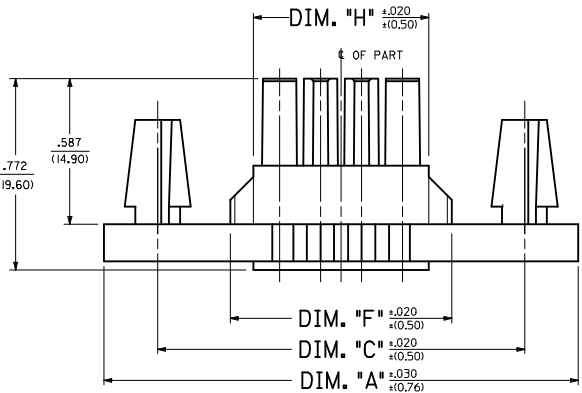


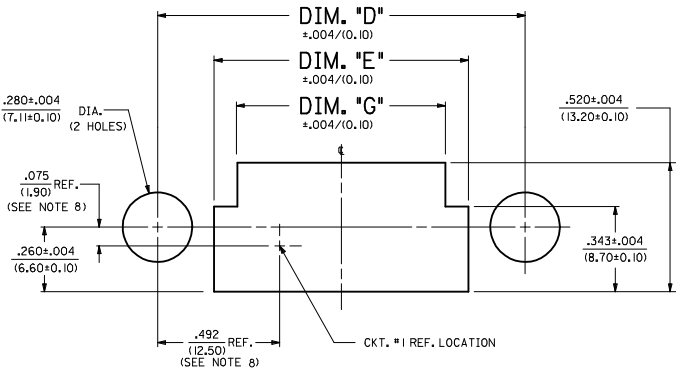
SECTION "A-A"
TERMINAL ORIENTATION



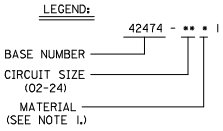
THIS AREA CAN BE SHARP OR RADIUS



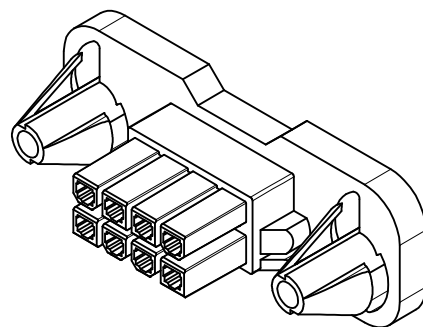
2-8 & 12-24 CIRCUIT HEADER
(SEE SHEET 2 FOR 10 CIRCUIT HEADER DESIGN)



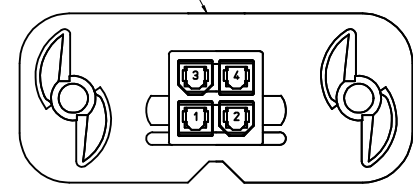
RECOMMENDED PANEL CUT-OUT FOR .050+0.012/(-0.127+0.30) THICK PANEL
(SEE NOTE 11)



| CKT. SIZE | DIM. "A" | DIM. "B" | DIM. "C" | DIM. "D" | DIM. "E" | DIM. "F" | DIM. "G" | DIM. "H" |
|-----------|------------------|------------------|------------------|------------------|------------------|------------------|------------------|------------------|
| 2 | 1.417 (36.00) | N/A | .984 (25.00) | .984 (25.00) | .528 (13.40) | .398 (10.10) | .343 (8.70) | .213 (5.40) |
| 4 | 1.583 (40.20) | .165 (4.20) | 1.150 (29.20) | 1.150 (29.20) | .693 (17.60) | .563 (14.30) | .508 (12.90) | .378 (9.60) |
| 6 | 1.749 (44.40) | .331 (8.40) | 1.315 (33.40) | 1.315 (33.40) | 1.128 (28.40) | .978 (24.90) | .873 (22.20) | .543 (13.80) |
| 8 | 1.913 (48.60) | .496 (12.60) | 1.480 (37.60) | 1.480 (37.60) | 1.224 (31.10) | 1.024 (26.00) | .894 (22.70) | .709 (18.00) |
| 10 | 2.078 (52.80) | .661 (16.80) | 1.645 (41.80) | 1.645 (41.80) | 1.389 (35.20) | 1.059 (26.90) | 1.004 (25.50) | .814 (20.80) |
| 12 | 2.244 (57.00) | .827 (21.00) | 1.811 (46.00) | 1.811 (46.00) | 1.354 (34.40) | 1.224 (31.10) | 1.169 (29.70) | 1.039 (26.40) |
| 14 | 2.409 (61.20) | .992 (25.20) | 1.976 (50.20) | 1.976 (50.20) | 1.320 (33.60) | 1.390 (35.30) | 1.335 (33.90) | 1.205 (30.60) |
| 16 | 2.575 (65.40) | 1.157 (29.40) | 2.142 (54.40) | 2.142 (54.40) | 1.585 (40.10) | 1.555 (39.50) | 1.500 (38.10) | 1.370 (34.80) |
| 18 | 2.740 (69.60) | 1.323 (33.60) | 2.307 (58.60) | 2.307 (58.60) | 1.850 (47.00) | 1.720 (43.70) | 1.665 (42.30) | 1.535 (39.00) |
| 20 | 2.906 (73.80) | 1.488 (37.80) | 2.472 (62.80) | 2.472 (62.80) | 2.016 (51.20) | 1.886 (47.90) | 1.831 (46.50) | 1.701 (43.20) |
| 22 | 3.071 (78.00) | 1.653 (42.00) | 2.638 (67.00) | 2.638 (67.00) | 2.181 (55.40) | 2.051 (52.10) | 1.996 (50.70) | 1.866 (47.40) |
| 24 | 3.236 (82.20) | 1.819 (46.20) | 2.803 (71.20) | 2.803 (71.20) | 2.346 (59.60) | 2.217 (56.30) | 2.161 (54.90) | 2.031 (51.60) |



VIEW FOR 2 AND 4 CIRCUIT
NOTCH REMOVED

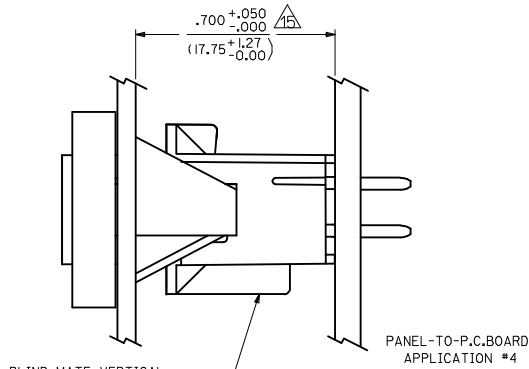
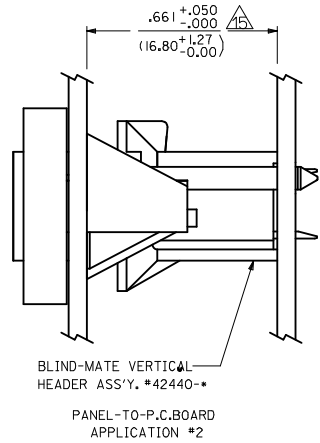
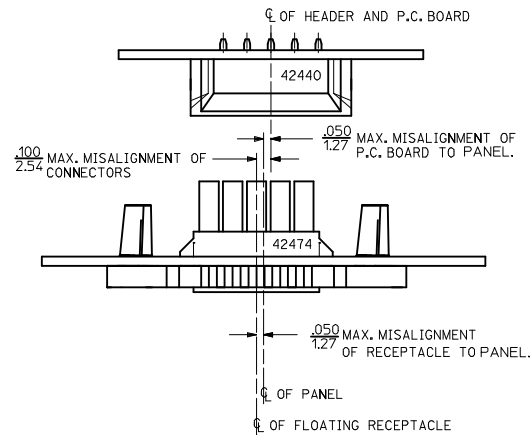
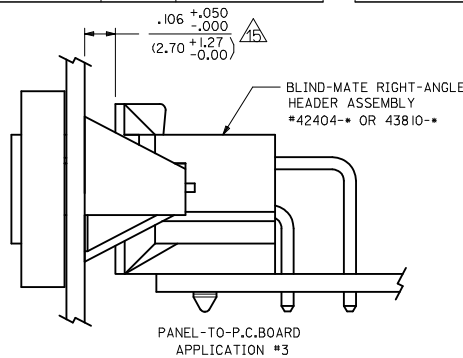
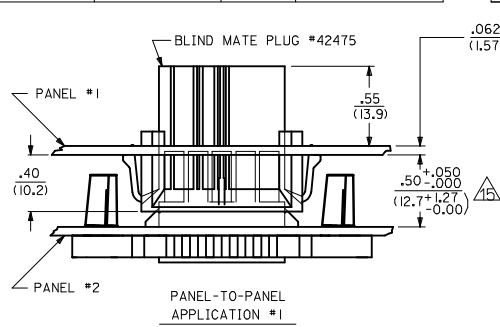


NOTES:

- MATERIAL:
*1 = NYLON UNFILLED 94V-2, COLOR: NATURAL (WHITE)
*2 = NYLON UNFILLED 94V-0, COLOR: NATURAL (WHITE)
*3 = NYLON UNFILLED 94V-2, COLOR: BLACK
*4 = NYLON UNFILLED 94V-0, COLOR: BLACK.
- FINISH: NOT APPLICABLE.
- PRODUCT SPECIFICATION: PS-5556-002
- PACKAGING: PK-42474-001
- PART MATES WITH MINI-FIT B.M.I. PLUG #42475, AND HEADERS 42404, 42440, 43810, 44068 & 43879.
- PART TO BE USED WITH MOLEX FEMALE TERMINAL #5556, 44476, 45750, OR 46018.
- THIS CONNECTOR ALLOWS FOR .050(1.27) MAX. MISALIGNMENT IN ANY DIRECTION.
- THIS DIMENSION IS TO BE USED FOR ALIGNMENT OF THE MATING CONNECTOR.
- CONNECTOR ASSEMBLIES ARE NOT TO BE MATED OR UNMATED WHILE CIRCUITS ARE LIVE.
- THIS PART IS INTENDED FOR ONE PANEL INSERTION ONLY. REMOVAL AND RE-INSERTION CAN DAMAGE THE MOUNTING SPIRALS.
- PANEL SHOULD BE PUNCHED IN THE DIRECTION OF CONNECTOR INSERTION.
- BOTH SPIRALS SHOULD BE INSERTED INTO THE PANEL AT THE SAME TIME. ROCKING THE PART INTO PLACE MAY CAUSE SPIRAL DAMAGE.
- THIS PART IS NOT INTENDED TO PROVIDE ANY ALIGNMENT OF CUSTOMER COMPONENTS OR MODULES, SUCH AS POWER SUPPLIES AND CHASSIS.
- IF THIS PRODUCT IS STORED IN AN ENVIRONMENT WITH A RELATIVE HUMIDITY OF LESS THAN 50%, MOISTURE MUST BE ADDED.
REFER TO TECHNICAL ADVISORY AS-45499-001 FOR INSTRUCTIONS.
- USING 5556 OR 44476 TERMINALS:
A MAXIMUM TOLERANCE OF .050(1.27) ALLOWS FOR 2 POINTS OF ELECTRICAL CONTACT.
A MAXIMUM TOLERANCE OF .020(0.51) ALLOWS FOR 4 POINTS OF CONTACT.
- USING 45750 OR 46018 TERMINALS:
A MAXIMUM TOLERANCE OF .020(0.51) ALLOWS FOR FULL CONTACT ENGAGEMENT.
- WIRES ARE TO BE DRESSED IN SUCH A MANNER TO ALLOW THE TERMINALS TO FLOAT FREELY IN THE POCKET.
- PART CONFORMS TO CLASS 'B' REQUIREMENTS OF COSMETIC SPECIFICATION PS-45499-002.

| | | | | | | |
|---|---|---|--|---|--|--|
| UPDATE NOTES 6 & 15 EEC NO. UCP2015-1555 DRAWN: DFOX 2014/10/14 CHKD: JRELL 2014/10/14 APPROVED: SMITH 2014/10/23 P11 | QUALITY SYMBOLS ∇=0 ∇=0 ∇=0 | GENERAL TOLERANCES (UNLESS SPECIFIED): mm INCH 4 PLACES ± --- ± --- 3 PLACES ± --- ± .015 2 PLACES ± 0.38 ± --- 1 PLACE ± --- ± --- ANGULAR ±1/2° | DIMENSION STYLE IN/MM SCALE 1:1 DESIGN UNITS METRIC | DRAWN BY GEP DATE 1989/08/24 CHECKED BY R/JF DATE 1989/08/24 APPROVED BY RAS DATE 1989/08/24 | TITLE PANEL-MOUNT RECEPTACLE BLIND MATE MINI-FIT JR. SERIES MOLEX INCORPORATED | |
| | DRAFT WHERE APPLICABLE MUST REMAIN WITHIN DIMENSIONS | | MATERIAL NO. SEE SHEET 2 | DOCUMENT NO. SD-42474-**** | SHEET NO. 1 OF 2 | |
| | THIS DRAWING CONTAINS INFORMATION THAT IS PROPRIETARY TO MOLEX INCORPORATED AND SHOULD NOT BE USED WITHOUT WRITTEN PERMISSION | | | | | |
| | SIZE D | | | | | |

| 13 | 12 | 11 | 10 | 9 | 8 | 7 | 6 | 5 | 4 | 3 | 2 | 1 | |
|-------------|-------------|-----------|------------------------|-------------|-------------|-----------|------------------------|-------------|-----------|------------------------|-------------|-----------|------------------------|
| PART NUMBER | ENG. NUMBER | CKT. SIZE | MATERIAL (SEE NOTE 1.) | PART NUMBER | ENG. NUMBER | CKT. SIZE | MATERIAL (SEE NOTE 1.) | ITEM NUMBER | CKT. SIZE | MATERIAL (SEE NOTE 1.) | ITEM NUMBER | CKT. SIZE | MATERIAL (SEE NOTE 1.) |
| NOT TOOLED | 42474-0211 | 2 | 94V-2 | NOT TOOLED | 42474-0221 | 2 | 94V-0 | NOT TOOLED | 2 | 94V-2 | NOT TOOLED | 2 | 94V-0 |
| 15-06-0040 | 42474-0411 | 4 | 94V-2 | 15-06-0041 | 42474-0421 | 4 | 94V-0 | 42474-0431 | 4 | 94V-2 | 42474-0441 | 4 | 94V-0 |
| 15-06-0060 | 42474-0611 | 6 | 94V-2 | 15-06-0061 | 42474-0621 | 6 | 94V-0 | 42474-0631 | 6 | 94V-2 | 42474-0641 | 6 | 94V-0 |
| 15-06-0080 | 42474-0811 | 8 | 94V-2 | 15-06-0081 | 42474-0821 | 8 | 94V-0 | 42474-0831 | 8 | 94V-2 | NOT TOOLED | 8 | 94V-0 |
| 15-06-0100 | 42474-1011 | 10 | 94V-2 | 15-06-0101 | 42474-1021 | 10 | 94V-0 | 42474-1031 | 10 | 94V-2 | 42474-1041 | 10 | 94V-0 |
| NOT TOOLED | 42474-1211 | 12 | 94V-2 | NOT TOOLED | 42474-1221 | 12 | 94V-0 | NOT TOOLED | 12 | 94V-2 | NOT TOOLED | 12 | 94V-0 |
| 15-06-0140 | 42474-1411 | 14 | 94V-2 | 15-06-0141 | 42474-1421 | 14 | 94V-0 | 42474-1431 | 14 | 94V-2 | 42474-1441 | 14 | 94V-0 |
| NOT TOOLED | 42474-1611 | 16 | 94V-2 | NOT TOOLED | 42474-1621 | 16 | 94V-0 | NOT TOOLED | 16 | 94V-2 | NOT TOOLED | 16 | 94V-0 |
| 15-06-0180 | 42474-1811 | 18 | 94V-2 | 15-06-0181 | 42474-1821 | 18 | 94V-0 | 42474-1831 | 18 | 94V-2 | 42474-1841 | 18 | 94V-0 |
| NOT TOOLED | 42474-2011 | 20 | 94V-2 | NOT TOOLED | 42474-2021 | 20 | 94V-0 | NOT TOOLED | 20 | 94V-2 | NOT TOOLED | 20 | 94V-0 |
| NOT TOOLED | 42474-2211 | 22 | 94V-2 | NOT TOOLED | 42474-2221 | 22 | 94V-0 | NOT TOOLED | 22 | 94V-2 | NOT TOOLED | 22 | 94V-0 |
| 15-06-0240 | 42474-2411 | 24 | 94V-2 | 15-06-0241 | 42474-2421 | 24 | 94V-0 | 42474-2431 | 24 | 94V-2 | 42474-2441 | 24 | 94V-0 |



| | | | | | | | |
|---|--------------------------------------|---|--------------------|---------------------------------|---|--------------------------------------|----------------------------|
| SEE SHEET 1 EC NO: UCP2015-1555 DRWN: JFOX 2014/10/14 CHKD: JBEL 2014/10/14 APPR: FSMITH 2014/10/23 P11 | QUALITY SYMBOLS ▽=0 ▽=0 ▽=0 | GENERAL TOLERANCES (UNLESS SPECIFIED) | | DIMENSION STYLE IN/MM | SCALE 1:1 | DESIGN UNITS METRIC | THIRD ANGLE PROJECTION |
| | | 4 PLACES ± --- INCH 3 PLACES ± --- ±.015 2 PLACES ± 0.38 ± --- 1 PLACE ± --- ± --- | DRAWN BY GEP | DATE 1989/08/24 | TITLE PANEL-MOUNT RECEPTACLE BLIND MATE MINI-FIT JR. SERIES | | |
| | | ANGULAR ± 1/2° | CHECKED BY RJF | DATE 1989/08/24 | MOLEX INCORPORATED | | |
| | | DRAFT WHERE APPLICABLE MUST REMAIN WITHIN DIMENSIONS | APPROVED BY RAS | DATE 1989/08/24 | MATERIAL NO. SEE CHART | DOCUMENT NO. SD-42474-**** | SHEET NO. 2 OF 2 |

THIS DRAWING CONTAINS INFORMATION THAT IS PROPRIETARY TO MOLEX INCORPORATED AND SHOULD NOT BE USED WITHOUT WRITTEN PERMISSION