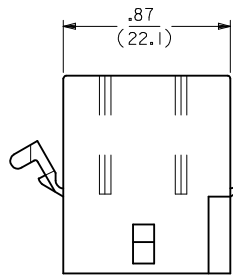


FACTORY I.D. CIRCUIT NUMBERS

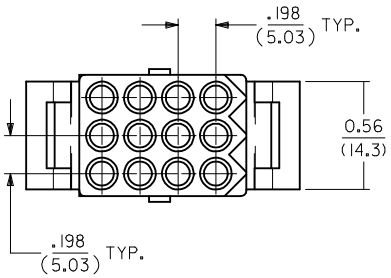
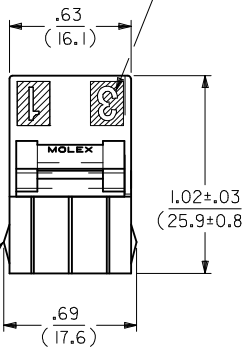
CIRCUIT I.D. NUMBERS



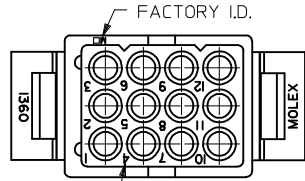
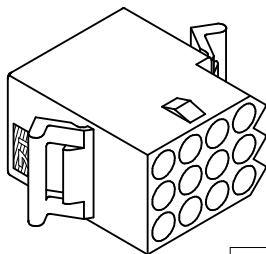
OPTIONAL MOUNTING EAR (PREBENT EAR SHOWN)

1.02±.03 (25.9±0.8)

OPTIONAL LOCKING RAMPS



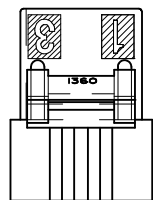
RECEPTACLE



FACTORY I.D.

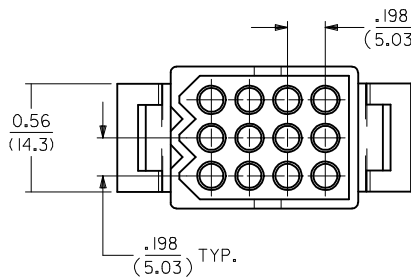
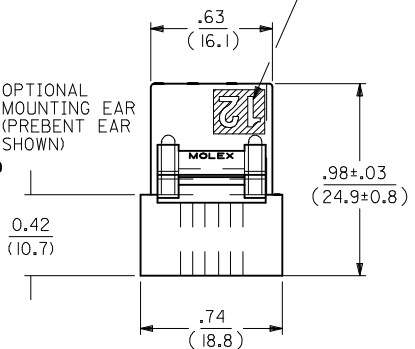
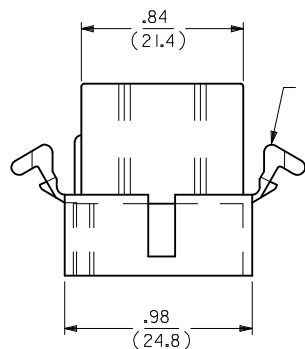
CIRCUIT NUMBERS

CIRCUIT I.D. NUMBERS

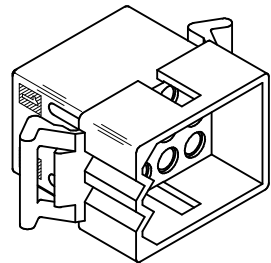


OPTIONAL MOUNTING EAR (PREBENT EAR SHOWN)

0.42 (10.7)



PLUG



OBSOLETE 1360-R1* EEC NO: UCP2015-1850 DRWN:JDOX 2014/11/03 CHKD:HK/PPER 2014/11/03 APPR:FSMITH 2014/11/13	QUALITY SYMBOLS	GENERAL TOLERANCES (UNLESS SPECIFIED)	DIMENSION STYLE	SCALE	DESIGN UNITS	THIRD ANGLE PROJECTION
	▽=0	mm INCH	IN/MM	2:1	INCH	
	▽=0	4 PLACES ± --- ± ---	DRAWN BY DATE	TITLE		
	▽=0	3 PLACES ± --- ±.010	CHECKED BY DATE	.093/(2.36) HOUSINGS PLUG AND RECEPTACLE 12 CKT, .198/(5.03)CTR.		
	▽=0	2 PLACES ± 0.25 ±.014	APPROVED BY DATE	molex		
0	1 PLACE ± 0.35 ± ---	FSMITH 2014/11/13	MATERIAL NO.	DOCUMENT NO.	SHEET NO.	
0	0 PLACE ± --- ± ---		SEE CHART	SD-1360-*	1 OF 2	
AE2	ANGULAR ± 2°	DRAFT WHERE APPLICABLE MUST REMAIN WITHIN DIMENSIONS	THIS DRAWING CONTAINS INFORMATION THAT IS PROPRIETARY TO MOLEX INCORPORATED AND SHOULD NOT BE USED WITHOUT WRITTEN PERMISSION			

PLUG	
ORDER NO	ENG NO
03-09-2121	I360-P
03-09-2122 $\triangle A$	I360-PI
03-09-7121	I360-PBK
03-09-7122 $\triangle A$	I360-PIBK
	OBSOLETE

RECEPTACLE	
ORDER NO	ENG NO
03-09-1121	I360-R $\triangle A$
03-09-1122	I360-R1
03-09-1125	I360-R2 $\triangle A$
03-09-1126	I360-R3
03-09-6121	I360-RBK
03-09-6122	I360-RIBK
03-09-6125	I360-R2BK
03-09-6126	I360-R3BK
03-09-6123	I360-RIRD
03-09-6124	I360-RIYW
	OBSOLETE
	OBSOLETE

LEGEND: PLUG

I360-P***

P = PLUG

BLANK = WITHOUT EARS
I = WITH MOUNTING EARS

COLOR:

BLANK = NATURAL COLOR
AM = AMBER BK = BLACK BU = BLUE
BN = BROWN GY = GRAY GN = GREEN
OR = ORANGE RD = RED YW = YELLOW

LEGEND: RECEPTACLE

I360-R***

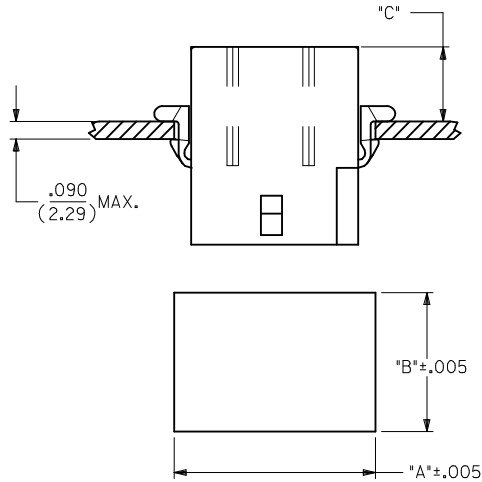
R = RECEPTACLE

OPTION	PREBENT EARS	LOCKING RAMP
BLANK	X	
1		
2	X	X
3		X

X = PRESENT

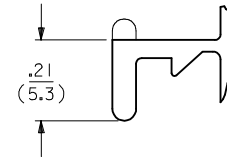
COLOR:

BLANK = NATURAL COLOR
AM = AMBER BK = BLACK BU = BLUE
BN = BROWN GY = GRAY GN = GREEN
OR = ORANGE RD = RED YW = YELLOW

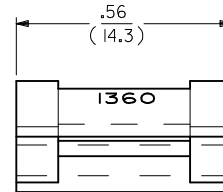


RECOMMENDED PANEL OPENING

HOUSING	DIM. "A"	DIM. "B"	"C" PREBENT EAR	"C" STANDARD EAR
PLUG	1.155/(29.34)	.760/(19.30)	.40/(10.2)	.36/(9.1)
RECEPT.	1.050/(26.67)	.725/(18.42)	.41/(10.4)	.37/(9.4)



DETAIL A
.093/(2.36) STANDARD MOUNTING EAR
(SCALE 4:1)



DETAIL B
.093/(2.36) PREBENT MOUNTING EAR
(SCALE 4:1)

NOTES:

- MATERIAL: NYLON TYPE 6/6, UL94V-2
- FINISH: N/A
- PRODUCT SPECIFICATION: PS-02-09, PS-43660-9999
- PACKAGING SPECIFICATION: PK-1360-001
- $\triangle A$ CIRCUIT I.D. NUMBERS ON SIDE OF HOUSING APPEAR ON PARTS FROM TOOLS BUILT AFTER 10/22/91
- $\triangle A$ WHERE DENOTED IN CHART, TOOLS ARE BUILT WITH PREBENT MOUNTING EARS PER DETAIL B AND SUPERSEDE ALL TOOLS PREVIOUSLY BUILT WITH THE STANDARD EARS.
- PARTS CONFORM TO CLASS B REQUIREMENTS OF COSMETIC SPECIFICATION PS-45499-002.

SEE SHEET 1 EC NO: UCP2015-1850 DRWN:JDOX 2014/11/03 CHKD:HKIPPER 2014/11/03 APPR:FSMITH 2014/11/13	QUALITY SYMBOLS $\nabla=0$ $\nabla=0$ $\nabla=0$	GENERAL TOLERANCES (UNLESS SPECIFIED)		DIMENSION STYLE	SCALE	DESIGN UNITS	THIRD ANGLE PROJECTION
				IN/MM	2:1	INCH	
				DRAWN BY	DATE	TITLE	
				CHECKED BY	DATE		
		4 PLACES \pm --- \pm --- 3 PLACES \pm --- \pm .010 2 PLACES \pm 0.25 \pm .014 1 PLACE \pm 0.35 \pm --- 0 PLACE \pm --- \pm ---		APPROVED BY	DATE	.093/(2.36) HOUSINGS PLUG AND RECEPTACLE 12 CKT, .198/(5.03)CTR.	
		ANGULAR \pm 2°		MATERIAL NO.	DOCUMENT NO.	molex SD-1360-*	
		DRAFT WHERE APPLICABLE MUST REMAIN WITHIN DIMENSIONS		SEE CHART		SHEET NO. 2 OF 2	
		THIS DRAWING CONTAINS INFORMATION THAT IS PROPRIETARY TO MOLEX INCORPORATED AND SHOULD NOT BE USED WITHOUT WRITTEN PERMISSION					