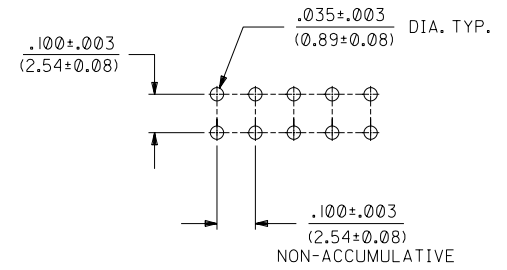


- NOTES:
- 1 - HOUSING MATERIAL: GLASS FILLED POLYESTER, UL 94V-0. COLOR: BLACK
  - 2 - TERMINAL MATERIAL: PHOSPHOR BRONZE
  - 3 - SEE ADDITIONAL SHEETS FOR CHARTS, PLATINGS, AND OVERALL DIMENSIONS
  - 4 - THIS PRODUCT CONFORMS TO PS-70181.

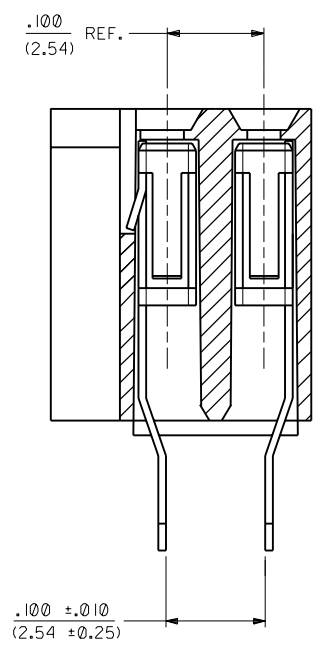
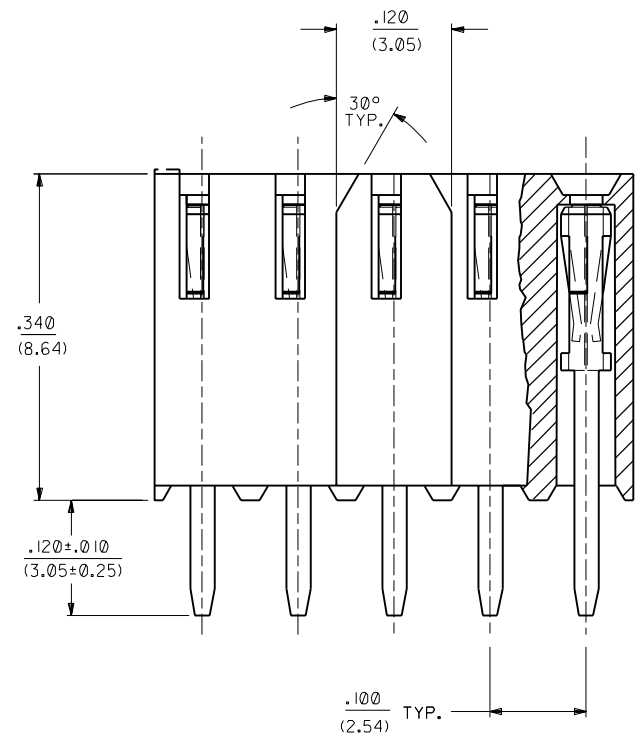
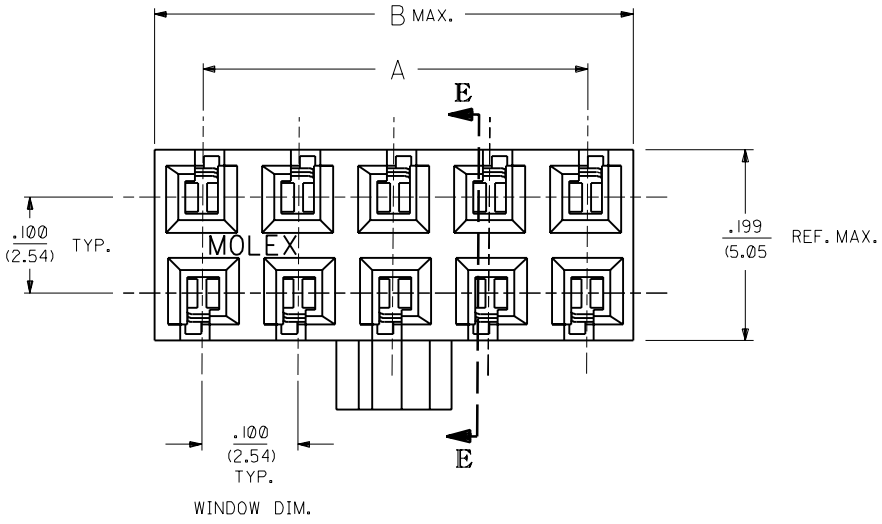


RECOMMENDED P.C. BOARD HOLE LAYOUT  
SCALE = 4:1

|   |   |
|---|---|
| C | LEAD FREE<br>UCP2004-1770<br>RWWHITE 04/04/28             |
| B | CHANGE PACK SPEC<br>ECAF UDT2000-0503<br>DMORGAN 99/12/09 |
| A | REVISE PLATE & BOX<br>PER U3 0572<br>09/10/93 MURPHY      |

| MFG. | SH. | REV. | LTR. | REVISIONS |
|------|-----|------|------|-----------|
| 3    | C   |      |      |           |
| 2    | A   |      |      |           |
| 1    | C   |      |      |           |

|  |               |   |   |
|--|---------------|---|---|
| DIMENSIONS SHOWN (METRIC) INCH                       |               | UNLESS OTHERWISE SPECIFIED TOLERANCES: ANGULAR ± 1/2° |   |
| 3 PLACE  | ± .010        | ---   | ---   |
| 2 PLACE  | ± .014        | ± 0.25  |   |
| 1 PLACE  | ---           | ± 0.35  |   |
| DRAFT WHERE APPLICABLE MUST REMAIN WITHIN DIMENSIONS |               |   |   |
| DRWG. BY: PM   | CHK'D. BY: PM | FILE NAME: SA70192X1 DGN                              | THIS DRAWING CONTAINS INFORMATION THAT IS PROPRIETARY TO MOLEX INC. AND SHOULD NOT BE USED WITHOUT WRITTEN PERMISSION |
| APP'D. BY: PM  | SCALE: 10:1   | SEE CHART   | SDA-70192-****  |
| PART NO. MOLEX INCORPORATED LISLE, ILL. 60532        |               | SHEET NO. U.S.A. 1 OF 3                               | DATE 09/10/93   |



NOTES:  
1 - SEE SHEET I FOR APPLICABLE NOTES.

**SINGAPORE ONLY  
OPTION -F-  
WITH POLARIZING KEY**

A SEE SHEET I

|  |  |                                  |  |  |  |
|--|--|----------------------------------|--|--|--|
| DIMENSIONS SHOWN (METRIC) INCH                       |  | ▽ = 0 ▼ = 0                      |  | REVISE ONLY ON CAD SYSTEM  |  |
| UNLESS OTHERWISE SPECIFIED TOLERANCES ANGULAR ± 1/2° |  | TITLE                            |  |  |  |
| 3 PLACE ±  |  | CONNECTOR, VERT. MOUNT, DUAL ROW |  |  |  |
| 2 PLACE ±  |  | (TOP ENTRY) .100 X .100          |  |  |  |
| 1 PLACE ±  |  | P.C. TAIL GRID                   |  |  |  |
| DRAFT WHERE APPLICABLE MUST REMAIN WITHIN DIMENSIONS |  | MOLEX INCORPORATED               |  | SHEET NO. DATE   |  |
|  |  | L15LEJLL 69532                   |  | 2 07/17/90   |  |
| PART NO.   |  | DRWG. NO.                        |  | U.S.A.   |  |
| SA 70192X2   |  | SEE CHART                        |  | SDA-70192-****   |  |
| DRWG. BY: PM   |  | CHK'D. BY: PM                    |  | DIV. SIZE  |  |
| APP'D. BY: PM  |  | SCALE: :                         |  | DA C   |  |
| FILE NAME: SA 70192X2.DWG                            |  |                                  |  | THIS DRAWING CONTAINS INFORMATION THAT IS PROPRIETARY TO MOLEX INC. AND SHOULD NOT BE USED WITHOUT WRITTEN PERMISSION. |  |

| J | CKT SIZE |       | PLATING: TIN<br>PACKAGING: PK-70873-0660 |              | PLATING: 15 GOLD<br>PACKAGING: PK-70873-0660 |              | PLATING: 30 GOLD<br>PACKAGING: PK-70873-0660 |              | OPTION F ASSEMBLY<br>TOOLED IN SINGAPORE ONLY<br>(SEE SHEET 2 FOR GEOMETRY) |              | DIM."A" |       | DIM."B" |        |
|---|----------|-------|--|--------------|--|--------------|--|--------------|---|--------------|---------|-------|---------|--------|
|   | PER ROW  | TOTAL | EDP NO.                                  | ENG NO.      | EDP NO.                                      | ENG NO.      | EDP NO.                                      | ENG NO.      | EDP NO.   | ENG NO.      | INCH    |       | MM      |        |
|   |          |       |  |              |  |              |  |              |   |              | INCH    | MM    | INCH    | MM     |
|   | 02       | 04    | 15-45-1302                               | A-70192-0065 | 15-44-3202                                   | A-70192-0129 | 15-44-4502                                   | A-70192-0193 |   |              | .100    | 2,54  | .199    | 5,05   |
|   | 03       | 06    | 15-45-1303                               | A-70192-0066 | 15-44-3203                                   | A-70192-0130 | 15-44-4503                                   | A-70192-0194 |   |              | .200    | 5,08  | .299    | 7,59   |
|   | 04       | 08    | 15-45-1304                               | A-70192-0067 | 15-44-3204                                   | A-70192-0131 | 15-44-4504                                   | A-70192-0195 |   |              | .300    | 7,62  | .399    | 10,13  |
| I | 05       | 10    | 15-45-1305                               | A-70192-0068 | 15-44-3205                                   | A-70192-0132 | 15-44-4505                                   | A-70192-0196 |   |              | .400    | 10,16 | .499    | 12,67  |
|   | 06       | 12    | 15-45-1306                               | A-70192-0069 | 15-44-3206                                   | A-70192-0133 | 15-44-4506                                   | A-70192-0197 |   |              | .500    | 12,70 | .599    | 15,21  |
|   | 07       | 14    | 15-45-1307                               | A-70192-0070 | 15-44-3207                                   | A-70192-0134 | 15-44-4507                                   | A-70192-0198 |   |              | .600    | 15,24 | .699    | 17,75  |
|   | 08       | 16    | 15-45-1308                               | A-70192-0071 | 15-44-3208                                   | A-70192-0135 | 15-44-4508                                   | A-70192-0199 |   |              | .700    | 17,78 | .799    | 20,29  |
|   | 09       | 18    | 15-45-1309                               | A-70192-0072 | 15-44-3209                                   | A-70192-0136 | 15-44-4509                                   | A-70192-0200 |   |              | .800    | 20,32 | .899    | 22,83  |
|   | 10       | 20    | 15-45-1310                               | A-70192-0073 | 15-44-3210                                   | A-70192-0137 | 15-44-4510                                   | A-70192-0201 |   |              | .900    | 22,86 | .999    | 25,37  |
| H | 11       | 22    | 15-45-1311                               | A-70192-0074 | 15-44-3211                                   | A-70192-0138 | 15-44-4511                                   | A-70192-0202 |   |              | 1.000   | 25,40 | 1.099   | 27,91  |
|   | 12       | 24    | 15-45-1312                               | A-70192-0075 | 15-44-3212                                   | A-70192-0139 | 15-44-4512                                   | A-70192-0203 |   |              | 1.100   | 27,94 | 1.199   | 30,45  |
|   | 13       | 26    | 15-45-1313                               | A-70192-0076 | 15-44-3213                                   | A-70192-0140 | 15-44-4513                                   | A-70192-0204 |   |              | 1.200   | 30,48 | 1.299   | 32,99  |
|   | 14       | 28    | 15-45-1314                               | A-70192-0077 | 15-44-3214                                   | A-70192-0141 | 15-44-4514                                   | A-70192-0205 |   |              | 1.300   | 33,02 | 1.399   | 35,53  |
|   | 15       | 30    | 15-45-1315                               | A-70192-0078 | 15-44-3215                                   | A-70192-0142 | 15-44-4515                                   | A-70192-0206 |   |              | 1.400   | 35,56 | 1.499   | 38,07  |
|   | 16       | 32    | 15-45-1316                               | A-70192-0079 | 15-44-3216                                   | A-70192-0143 | 15-44-4516                                   | A-70192-0207 |   |              | 1.500   | 38,10 | 1.599   | 40,61  |
|   | 17       | 34    | 15-45-1317                               | A-70192-0080 | 15-44-3217                                   | A-70192-0144 | 15-44-4517                                   | A-70192-0208 |   |              | 1.600   | 40,64 | 1.699   | 43,15  |
| G | 18       | 36    | 15-45-1318                               | A-70192-0081 | 15-44-3218                                   | A-70192-0145 | 15-44-4518                                   | A-70192-0209 |   |              | 1.700   | 43,18 | 1.799   | 45,69  |
|   | 19       | 38    | 15-45-1319                               | A-70192-0082 | 15-44-3219                                   | A-70192-0146 | 15-44-4519                                   | A-70192-0210 |   |              | 1.800   | 45,72 | 1.899   | 48,23  |
|   | 20       | 40    | 15-45-1320                               | A-70192-0083 | 15-44-3220                                   | A-70192-0147 | 15-44-4520                                   | A-70192-0211 |   |              | 1.900   | 48,26 | 1.999   | 50,77  |
|   | 21       | 42    | 15-45-1321                               | A-70192-0084 | 15-44-3221                                   | A-70192-0148 | 15-44-4521                                   | A-70192-0212 |   |              | 2.000   | 50,80 | 2.099   | 53,31  |
|   | 22       | 44    | 15-45-1322                               | A-70192-0085 | 15-44-3222                                   | A-70192-0149 | 15-44-4522                                   | A-70192-0213 |   |              | 2.100   | 53,34 | 2.199   | 55,85  |
|   | 23       | 46    | 15-45-1323                               | A-70192-0086 | 15-44-3223                                   | A-70192-0150 | 15-44-4523                                   | A-70192-0214 |   |              | 2.200   | 55,88 | 2.299   | 58,39  |
| F | 24       | 48    | 15-45-1324                               | A-70192-0087 | 15-44-3224                                   | A-70192-0151 | 15-44-4524                                   | A-70192-0215 |   |              | 2.300   | 58,42 | 2.399   | 60,93  |
|   | 25       | 50    | 15-45-1325                               | A-70192-0088 | 15-44-3225                                   | A-70192-0152 | 15-44-4525                                   | A-70192-0216 | 15-44-6625  | A-70192-0280 | 2.400   | 60,96 | 2.499   | 63,47  |
|   | 26       | 52    | 15-45-1326                               | A-70192-0089 | 15-44-3226                                   | A-70192-0153 | 15-44-4526                                   | A-70192-0217 |   |              | 2.500   | 63,50 | 2.599   | 66,01  |
|   | 27       | 54    | 15-45-1327                               | A-70192-0090 | 15-44-3227                                   | A-70192-0154 | 15-44-4527                                   | A-70192-0218 |   |              | 2.600   | 66,04 | 2.699   | 68,55  |
|   | 28       | 56    | 15-45-1328                               | A-70192-0091 | 15-44-3228                                   | A-70192-0155 | 15-44-4528                                   | A-70192-0219 |   |              | 2.700   | 68,58 | 2.799   | 71,09  |
|   | 29       | 58    | 15-45-1329                               | A-70192-0092 | 15-44-3229                                   | A-70192-0156 | 15-44-4529                                   | A-70192-0220 |   |              | 2.800   | 71,12 | 2.899   | 73,63  |
| E | 30       | 60    | 15-45-1330                               | A-70192-0093 | 15-44-3230                                   | A-70192-0157 | 15-44-4530                                   | A-70192-0221 |   |              | 2.900   | 73,66 | 2.999   | 76,17  |
|   | 31       | 62    | 15-45-1331                               | A-70192-0094 | 15-44-3231                                   | A-70192-0158 | 15-44-4531                                   | A-70192-0222 |   |              | 3.000   | 76,20 | 3.099   | 78,71  |
|   | 32       | 64    | 15-45-1332                               | A-70192-0095 | 15-44-3232                                   | A-70192-0159 | 15-44-4532                                   | A-70192-0223 |   |              | 3.100   | 78,74 | 3.199   | 81,25  |
|   | 33       | 66    | 15-45-1333                               | A-70192-0096 | 15-44-3233                                   | A-70192-0160 | 15-44-4533                                   | A-70192-0224 |   |              | 3.200   | 81,28 | 3.299   | 83,79  |
|   | 34       | 68    | 15-45-1334                               | A-70192-0097 | 15-44-3234                                   | A-70192-0161 | 15-44-4534                                   | A-70192-0225 |   |              | 3.300   | 83,82 | 3.399   | 86,33  |
|   | 35       | 70    | 15-45-1335                               | A-70192-0098 | 15-44-3235                                   | A-70192-0162 | 15-44-4535                                   | A-70192-0226 |   |              | 3.400   | 86,36 | 3.499   | 88,87  |
|   | 36       | 72    | 15-45-1336                               | A-70192-0099 | 15-44-3236                                   | A-70192-0163 | 15-44-4536                                   | A-70192-0227 |   |              | 3.500   | 88,90 | 3.599   | 91,41  |
| D | 37       | 74    | 15-45-1337                               | A-70192-0100 | 15-44-3237                                   | A-70192-0164 | 15-44-4537                                   | A-70192-0228 |   |              | 3.600   | 91,44 | 3.699   | 93,95  |
|   | 38       | 76    | 15-45-1338                               | A-70192-0101 | 15-44-3238                                   | A-70192-0165 | 15-44-4538                                   | A-70192-0229 |   |              | 3.700   | 93,98 | 3.799   | 96,49  |
|   | 39       | 78    | 15-45-1339                               | A-70192-0102 | 15-44-3239                                   | A-70192-0166 | 15-44-4539                                   | A-70192-0230 |   |              | 3.800   | 96,52 | 3.899   | 99,03  |
|   | 40       | 80    | 15-45-1340                               | A-70192-0103 | 15-44-3240                                   | A-70192-0167 | 15-44-4540                                   | A-70192-0231 |   |              | 3.900   | 99,06 | 3.999   | 101,57 |

C

B  
 \*THE PRIMARY SHIPPING CARTON WILL BE LABELED "COMPLIANT TO  
 RoHS DIRECTIVE 2002/95/EC AND ELV ANNEX II OF DIRECTIVE 2000/53/EC".  
 CARTONS WITHOUT THIS LABEL MAY CONTAIN PRODUCT WITH LEAD.

PLATING:  
 TIN (3.75 MICROMETER)/150 MICROINCH MINIMUM TIN OVER  
 (1.25 MICROMETER)/50 MICROINCH MINIMUM NICKEL OVERALL.  
 15 GOLD (0.37 MICROMETER)/15 MICROINCH MINIMUM SELECTIVE GOLD IN THE CONTACT AREA;  
 (1.88 MICROMETER)/75 MICROINCH MINIMUM SELECTIVE TIN IN THE PC TAIL AREA OVER  
 (1.25 MICROMETER)/50 MICROINCH MINIMUM NICKEL OVERALL.  
 30 GOLD (0.75 MICROMETER)/30 MICROINCH MINIMUM SELECTIVE GOLD IN THE CONTACT AREA;  
 (1.88 MICROMETER)/75 MICROINCH MINIMUM SELECTIVE TIN IN THE PC TAIL AREA OVER  
 (1.25 MICROMETER)/50 MICROINCH MINIMUM NICKEL OVERALL.

|   |                |
|---|----------------|
| DIMENSIONS SHOWN (METRIC) INCH                        |                |
| UNLESS OTHERWISE SPECIFIED TOLERANCES: ANGULAR ± 1/2° |                |
| 5 PLACE ± .0001                                       | METRIC         |
| 2 PLACE ± .005  | ± .005         |
| 1 PLACE ± .05   | ± .05          |
| DRAFT WHERE APPLICABLE MUST REMAIN WITHIN DIMENSIONS  |                |
| DRWG. BY: T.M   | CHK'D. BY: MGB |
| APP'D. BY: MGB  | SCALE: 10:1    |

|  |   |                              |
|--|---|------------------------------|
| <input checked="" type="checkbox"/> = 0<br><input type="checkbox"/> = 0<br>REVISE ONLY ON CAD SYSTEM<br>TITLE<br>VERTICAL MOUNT ASSY DUAL<br>ROW TOP ENTRY .100 X .100<br>P.C. TAIL GRID | FROM: MOLEX INCORPORATED<br>L15LEJLL 60532<br>U.S.A.<br>PART NO.<br>SDA-70192-****<br>DRWG. NO. | SHEET NO. 3<br>DATE 07/17/90 |
| FILE NAME: SA70192X3.DWG<br>THIS DRAWING CONTAINS INFORMATION THAT IS PROPRIETARY TO MOLEX INC. AND SHOULD NOT BE USED WITHOUT WRITTEN PERMISSION.                                       | DIV: DA<br>SIZE: C  |                              |