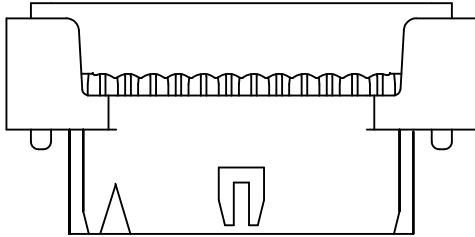


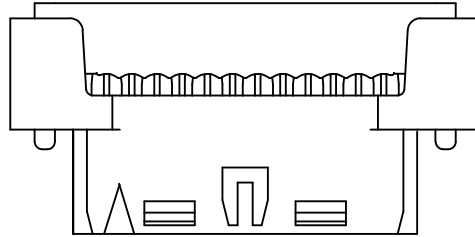
1. MATERIALS:  
HOUSING - PBT, GLASS FILLED UL94V-0 BLACK  
TERMINAL - COPPER ALLOY
2. FINISHES  
PLATING 3 - 15uin (0.38um) SELECTIVE GOLD IN CONTACT AREA AND 75uin (1.88um) TIN IN IDT AREA OVER 50uin (1.25um) NICKEL OVERALL.  
PLATING 4 - 30uin (0.76um) SELECTIVE GOLD IN CONTACT AREA AND 75uin (1.88um) TIN IN IDT AREA OVER 50uin (1.25um) NICKEL OVERALL.  
PLATING 5 - 2uin (0.05um) SELECTIVE GOLD IN CONTACT AREA AND 75uin (1.88um) TIN IN IDT AREA OVER 50uin (1.25um) NICKEL OVERALL.

3. PRODUCT SPEC PS-87568-004 APPLIES
4. FOR ILLUSTRATION PURPOSES, I2 CKT IS SHOWN
5. PART MATES WITH ALL MILLIGRID HEADERS WITH MATING LENGTH BETWEEN 2.50mm AND 4.20mm
6. PART IS DESIGNED FOR 1.00mm PITCH FLAT CABLE, 7 STRANDS, AWG #28, UL2651 AND UL2678
7. ALL OTHER CIRCUIT SIZES, CONTACT FACTORY.
8. STRAIN RELIEF TO BE PURCHASED SEPERATELY, REFER TO SD-87569-008

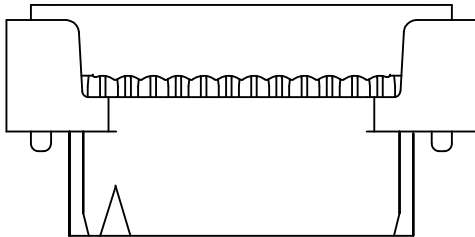
|   |   |                                       |  |                            |   |                              |  |                        |  |  |
|---|---|---------------------------------------|--|----------------------------|---|------------------------------|--|------------------------|--|--|
| ADD AU FLASH OPTION<br>EC NO: S2011-1004<br>DRWN:SKANG 2011/05/31<br>CHKD:ATSEE 2011/06/14<br>APPR:MLONG 2011/06/14 | QUALITY SYMBOLS<br>$F_{A0}$<br>$F_{C0}$<br>$F_{P0}$ | GENERAL TOLERANCES (UNLESS SPECIFIED) |  | DIMENSION STYLE<br>MM ONLY |   | SCALE<br>NTS                 | DESIGN UNITS<br>METRIC                     | THIRD ANGLE PROJECTION |  |  |
|   |   |                                       | mm   | INCH                       | DRAWN BY<br>AGARWAL   | DATE<br>1997/08/05           | TITLE<br>MGRID 2MM DUAL ROW IDT RECEPTACLE |                        |  |  |
|   |   | 4 PLACES                              | ± ---  | ± ---                      | CHECKED BY<br>SQUEK   | DATE<br>1997/09/03           | MOLEX INCORPORATED                         |                        |  |  |
|   |   | 3 PLACES                              | ± ---  | ± ---                      | APPROVED BY<br>MLONG  | DATE<br>2009/11/13           |  |                        |  |  |
| 2 PLACES  | ± 0.15  | ± ---                                 | ANGULAR ± 3 °  |                            | MATERIAL NO.<br>SEE TABLE   | DOCUMENT NO.<br>SD-87568-003 | SHEET NO.<br>1 OF 3                        |                        |  |  |
| 1 PLACE   | ± ---   | ± ---                                 | DRAFT WHERE APPLICABLE MUST REMAIN WITHIN DIMENSIONS |                            | THIS DRAWING CONTAINS INFORMATION THAT IS PROPRIETARY TO MOLEX INCORPORATED AND SHOULD NOT BE USED WITHOUT WRITTEN PERMISSION |                              |  |                        |  |  |



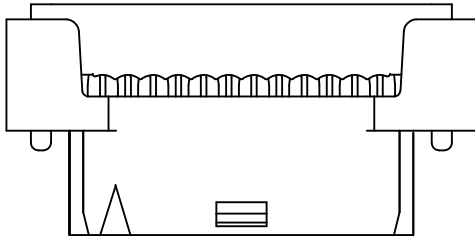
87568-\*\*\*4\*  
POLARIZATION ONLY  
(APPLICABLE FOR 14 TO 50 CKT)



87568-\*\*\*9\*  
POLARIZATION AND RAMP LOCKING  
(APPLICABLE FOR 14 TO 50 CKT)



87568-\*\*\*6\*  
NO POLARIZATION/RAMP FEATURE  
(APPLICABLE FOR 10 TO 50 CKT)



87568-\*\*\*7\*  
SINGLE RAMP LOCKING ONLY  
(APPLICABLE FOR 10 TO 12 CKT)

| ENGINEERING NUMBER | CKT. SIZE | A     | B     | C     | D     | E     |
|--------------------|-----------|-------|-------|-------|-------|-------|
| 87568-10**         | 10        | 16.65 | 8.00  | 14.90 | 11.65 | 10.55 |
| 87568-12**         | 12        | 18.65 | 10.00 | 16.90 | 13.65 | 12.55 |
| 87568-14**         | 14        | 20.65 | 12.00 | 18.90 | 15.65 | 14.55 |
| 87568-16**         | 16        | 22.65 | 14.00 | 20.90 | 17.65 | 16.55 |
| 87568-20**         | 20        | 26.65 | 18.00 | 24.90 | 21.65 | 20.55 |
| 87568-22**         | 22        | 28.65 | 20.00 | 26.90 | 23.65 | 22.55 |
| 87568-24**         | 24        | 30.65 | 22.00 | 28.90 | 25.65 | 24.55 |
| 87568-26**         | 26        | 32.65 | 24.00 | 30.90 | 27.65 | 26.55 |
| 87568-30**         | 30        | 36.65 | 28.00 | 34.90 | 31.65 | 30.55 |
| 87568-32**         | 32        | 38.65 | 30.00 | 36.90 | 33.65 | 32.55 |
| 87568-34**         | 34        | 40.65 | 32.00 | 38.90 | 35.65 | 34.55 |
| 87568-36**         | 36        | 42.65 | 34.00 | 40.90 | 37.65 | 36.55 |
| 87568-40**         | 40        | 46.65 | 38.00 | 44.90 | 41.65 | 40.55 |
| 87568-44**         | 44        | 50.65 | 42.00 | 48.90 | 45.65 | 44.55 |
| 87568-50**         | 50        | 56.65 | 48.00 | 54.90 | 51.65 | 50.55 |

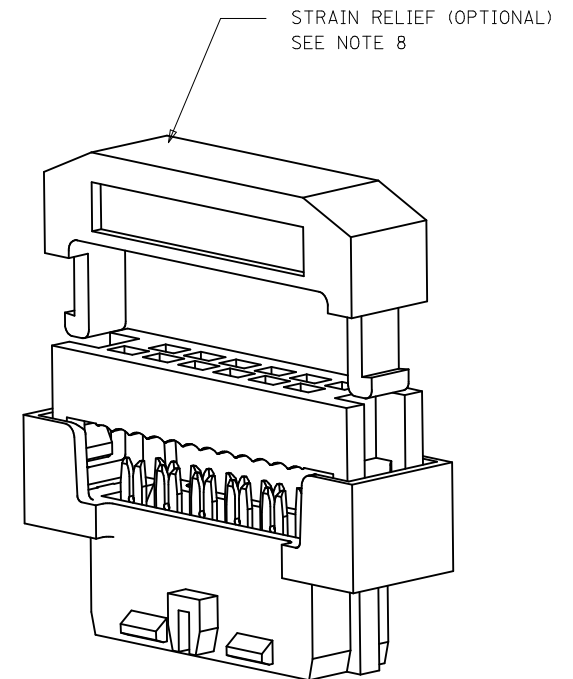
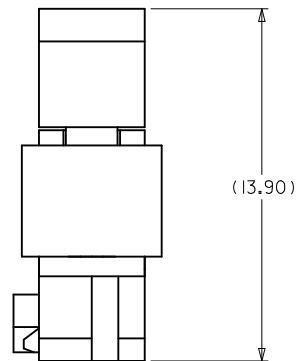
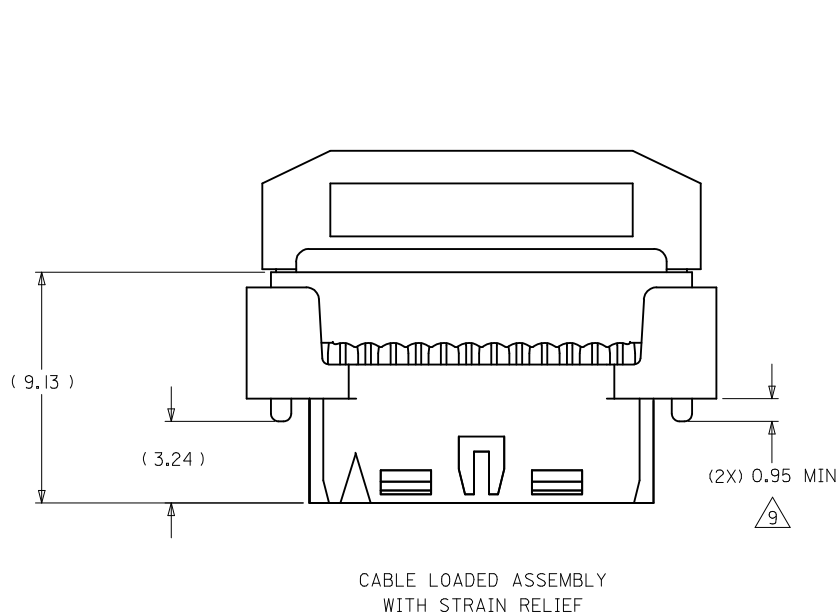
87568 - \* \* \* \*  
 CKT. SIZE    PLATING OPTION (SEE NOTE 2)  
                     POLARIZATION KEY & LOCKING RAMP OPTION

- 4 - WITH POLARIZATION ONLY FOR 14 - 50 CKT
- 6 - WITHOUT POLARIZATION AND RAMP LOCKING
- 7 - WITH SINGLE RAMP LOCKING ONLY FOR 10 & 12 CKT
- 9 - WITH POLARIZATION AND RAMP LOCKING FOR 14 - 50 CKT

10-12 CIRCUIT SIZE HAS ONLY ONE RAMP FOR LOCKING (OPTIONAL)

14-50 CIRCUIT SIZE HAS BOTH POLARIZATION AND RAMP LOCKING (OPTIONAL)

|  |  |                    |   |                                       |   |        |              |                        |
|--|--|--------------------|---|---------------------------------------|---|--------|--------------|------------------------|
| ADD AU FLASH OPTION<br>EC NO: S2011-1004<br>DRWN:SKANG<br>CHKD:ATSEE<br>APPR:MLONG | 2011/05/31<br>2011/06/14<br>2011/06/14                 | DESCRIPTION<br>REV | QUALITY SYMBOLS   | GENERAL TOLERANCES (UNLESS SPECIFIED) | DIMENSION STYLE                         | SCALE  | DESIGN UNITS | THIRD ANGLE PROJECTION |
|  | $F_{\Delta} = 0$<br>$F_{\sigma} = 0$<br>$F_{\rho} = 0$ |                    | mm    INCH<br>4 PLACES ± --- ± ---<br>3 PLACES ± --- ± ---<br>2 PLACES ± 0.15 ± ---<br>1 PLACE ± --- ± ---<br>ANGULAR ± 3 ° | MM ONLY                               | NTS                                     | METRIC |              |                        |
|  |  |                    | DRAWN BY: AGARWAL    DATE: 1997/08/05<br>CHECKED BY: SQUEK    DATE: 1997/09/03<br>APPROVED BY: MLONG    DATE: 2009/11/13    | TITLE                                 | MGRID<br>2MM DUAL ROW<br>IDT RECEPTACLE |        |              |                        |
|  | DRAFT WHERE APPLICABLE MUST REMAIN WITHIN DIMENSIONS   |                    | MATERIAL NO.    DOCUMENT NO.    SHEET NO.<br>SEE TABLE    SD-87568-003    2 OF 3  | MOLEX INCORPORATED                    |   |        |              |                        |



NOTES

△ THIS DIMENSION IS TO ENSURE GOOD CABLE TERMINATION.

|   |                               |  |       |                 |   |                    |                        |
|---|-------------------------------|--|-------|-----------------|---|--------------------|------------------------|
| ADD AU FLASH OPTION<br>EC NO: S2011-1004<br>DRWN:SKANG 2011/05/31<br>CHKD:ATSEE 2011/06/14<br>APPR:MLONG 2011/06/14 | QUALITY SYMBOLS               | GENERAL TOLERANCES (UNLESS SPECIFIED)                |       | DIMENSION STYLE | SCALE   | DESIGN UNITS       | THIRD ANGLE PROJECTION |
|   | $F_A=0$<br>$F_C=0$<br>$F_P=0$ | mm   | INCH  | MM ONLY         | NTS   | METRIC             |                        |
|   |                               | 4 PLACES   | ± --- | ± ---           | DRAWN BY  | DATE               | TITLE                  |
|   |                               | 3 PLACES   | ± --- | ± ---           | AGARWAL   | 1997/08/05         | MGRID                  |
|   | 2 PLACES                      | ± 0.15   | ± --- | CHECKED BY      | DATE  | 2MM DUAL ROW       |                        |
|   | 1 PLACE                       | ± ---  | ± --- | SQUEK           | 1997/09/03  | IDT RECEPTACLE     |                        |
|   |                               | ANGULAR ± 3 °  |       | APPROVED BY     | DATE  | MOLEX INCORPORATED |                        |
|   |                               | DRAFT WHERE APPLICABLE MUST REMAIN WITHIN DIMENSIONS |       | MLONG           | 2009/11/13  |                    |                        |
|   |                               |  |       | MATERIAL NO.    | DOCUMENT NO.  |                    |                        |
|   |                               |  |       | SEE TABLE       |   | SD-87568-003       |                        |
|   |                               |  |       | SIZE            | THIS DRAWING CONTAINS INFORMATION THAT IS PROPRIETARY TO MOLEX INCORPORATED AND SHOULD NOT BE USED WITHOUT WRITTEN PERMISSION |                    |                        |
|   |                               |  |       | A3              |   |                    |                        |
|   |                               |  |       |                 |   | SHEET NO.          |                        |
|   |                               |  |       |                 |   | 3 OF 3             |                        |