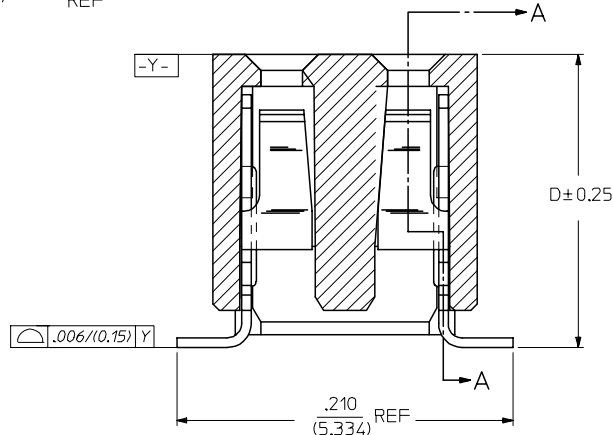
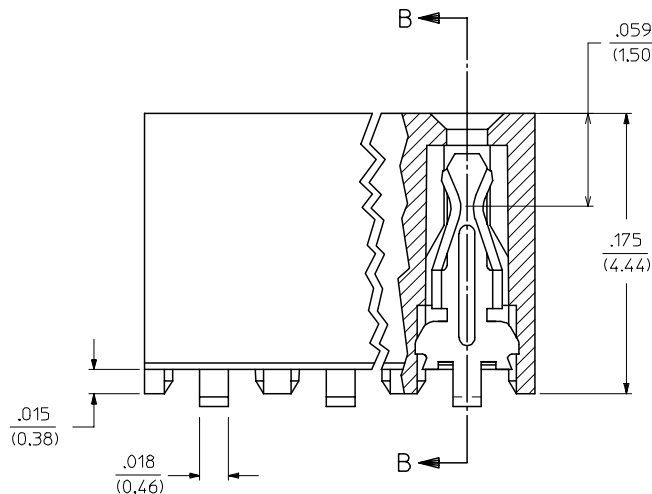


**NOTES:**

1. HOUSING MATERIAL:  
LCP, GLASS FILLED, UL 94V-0  
COLOUR BLACK.
2. TERMINAL MATERIAL:  
PHOSPHOR BRONZE
3. SEE APPROPRIATE SHEET FOR CIRCUIT SIZE,  
PART NUMBERS AND OVERALL DIMENSIONS.
4. FOR ILLUSTRATION, 6 CKT ASSY SHOWN.
5. REFER TO PRODUCT SPEC PS-79107.  
PS-79107 DOES NOT APPLY TO PLATING NO. 608.
6. TUBE PACKAGING PER PK-70873-0217 OR  
TAPE PACKAGING PER PK-70873-0259
7. SEE SHT 4 FOR PEG OPTION ASSEMBLIES.
8. CKT LOCATIONS ARE NUMBERED FROM LEFT TO  
RIGHT WHEN VIEWING ASSY FROM TOP WITH  
THE GATE RECESS ON THE RIGHT AS SHOWN.
9. SEE SHT 7,8 & 9 FOR VOIDED CIRCUIT PART NUMBERS.

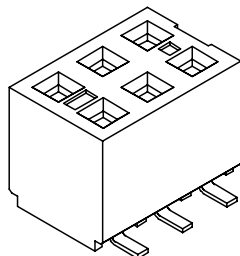
**PLATING OPTION:**

1. 30u" (0.75um) MIN. GOLD PLATE IN SELECTED AREA AND  
75u" (1.88um) MIN. TIN/LEAD PLATE IN SELECTED AREA OVER  
50u" (1.25um) MIN. NICKEL OVERALL.
2. 15u" (0.38um) MIN. GOLD PLATE IN SELECTED AREA AND  
75u" (1.88um) MIN. TIN/LEAD PLATE IN SELECTED AREA OVER  
50u" (1.25um) MIN. NICKEL OVERALL.
3. 5u" (0.13um) MIN. GOLD PLATE IN SELECTED AREA AND  
75u" (1.88um) MIN. TIN/LEAD PLATE IN SELECTED AREA OVER  
50u" (1.25um) MIN. NICKEL OVERALL.
4. 30u" (0.75um) MIN. GOLD PLATE IN SELECTED AREA AND  
75u" (1.88um) MIN. TIN PLATE IN SELECTED AREA OVER  
50u" (1.25um) MIN. NICKEL OVERALL.
5. 15u" (0.38um) MIN. GOLD PLATE IN SELECTED AREA AND  
75u" (1.88um) MIN. TIN PLATE IN SELECTED AREA OVER  
50u" (1.25um) MIN. NICKEL OVERALL.
6. 5u" (0.13um) MIN. GOLD PLATE IN SELECTED AREA AND  
75u" (1.88um) MIN. TIN PLATE IN SELECTED AREA OVER  
50u" (1.25um) MIN. NICKEL OVERALL.



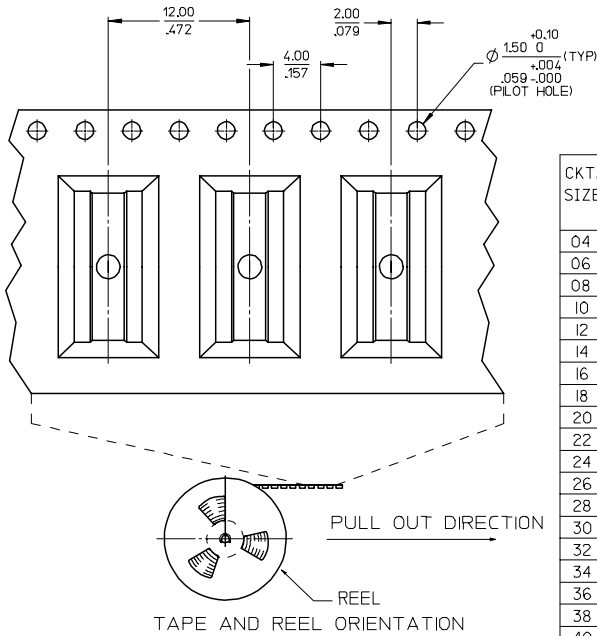
SECTION A-A

SECTION B-B



|   |                               |                                       |  |  |                |   |                        |       |
|---|-------------------------------|---------------------------------------|--|--|----------------|---|------------------------|-------|
| UPDATE REVISION<br>EC NO: S2005-0714<br>DRWN:KSEE<br>CHKD:BLW<br>APPR:PTLIM<br>2005/10/19<br>2005/10/19<br>2005/11/06 | QUALITY SYMBOLS<br>▽=0<br>▽=0 | GENERAL TOLERANCES (UNLESS SPECIFIED) |  | DIMENSION STYLE  | SCALE          | DESIGN UNITS  | THIRD ANGLE PROJECTION |       |
|   |                               |                                       |  | IN/MM  | NTS            | INCH  |                        |       |
|   |                               |                                       |  | mm   | INCH           |   |                        |       |
|   |                               |                                       |  | 4 PLACES ± --- ± ---   |                | DRAWN BY  | DATE                   | TITLE |
|   |                               | 3 PLACES ± --- ± .010                 |  | AAB  | 1989/05/15     | SALES DRAWING<br>2MM DUAL ROW<br>VERTICAL RECEPTACLE, SMT |                        |       |
|   |                               | 2 PLACES ± 0.25 ± .015                |  | CHECKED BY   | DATE           |   |                        |       |
|   |                               | 1 PLACE ± 0.38 ± ---                  |  | MJM  | 1989/05/15     |   |                        |       |
|   |                               | ANGULAR ± 3 °                         |  | APPROVED BY  | DATE           |   |                        |       |
|   |                               |                                       |  | WAZ  | 1989/05/15     |   |                        |       |
|   |                               |                                       |  | MATERIAL NO.   | DOCUMENT NO.   | SHEET NO.   |                        |       |
|   |                               |                                       |  | SEE TABLE  | SDA-79109-**** | 1 OF 9  |                        |       |
|   |                               |                                       |  | DRAFT WHERE APPLICABLE<br>MUST REMAIN<br>WITHIN DIMENSIONS   |                |   |                        |       |
|   |                               |                                       |  | THIS DRAWING CONTAINS INFORMATION THAT IS PROPRIETARY TO MOLEX<br>INCORPORATED AND SHOULD NOT BE USED WITHOUT WRITTEN PERMISSION |                |   |                        |       |

TIN/LEAD OPTION

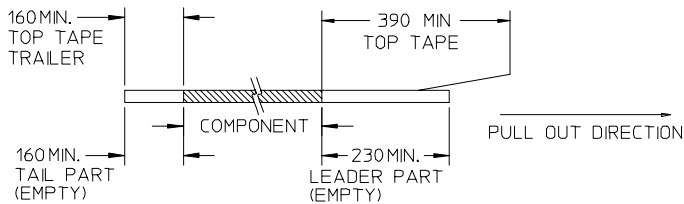


| CKT. SIZE | DIM. "A" |         | DIM. "B" |         | DIM. "D" |        | PLATING OPTION 2                   |                                 | PLATING OPTION 1                   |                                 | PLATING OPTION 3                   |                                 |
|-----------|----------|---------|----------|---------|----------|--------|------------------------------------|---------------------------------|------------------------------------|---------------------------------|------------------------------------|---------------------------------|
|           | INCH     | MM      | INCH     | MM      | INCH     | MM     | ITEM NO. TUBE PACKED (WITHOUT CAP) | ITEM NO. TAPE PACKED (WITH CAP) | ITEM NO. TUBE PACKED (WITHOUT CAP) | ITEM NO. TAPE PACKED (WITH CAP) | ITEM NO. TUBE PACKED (WITHOUT CAP) | ITEM NO. TAPE PACKED (WITH CAP) |
| 04        | .079     | (2.00)  | .165     | (4.19)  | .183     | (4.65) | 79109-0001                         | 79109-8001                      | 79109-0051                         | 79109-8051                      | X                                  | 79109-0101                      |
| 06        | .157     | (4.00)  | .244     | (6.19)  | .183     | (4.65) | 79109-0002                         | 79109-8002                      | 79109-0052                         | 79109-8052                      | X                                  | 79109-0102                      |
| 08        | .236     | (6.00)  | .322     | (8.19)  | .183     | (4.65) | 79109-0003                         | 79109-8003                      | 79109-0053                         | 79109-8053                      | X                                  | 79109-0103                      |
| 10        | .315     | (8.00)  | .401     | (10.19) | .183     | (4.65) | 79109-0004                         | 79109-8004                      | 79109-0054                         | 79109-8054                      | X                                  | 79109-0104                      |
| 12        | .394     | (10.00) | .480     | (12.19) | .183     | (4.65) | 79109-0005                         | 79109-8005                      | 79109-0055                         | 79109-8055                      | X                                  | 79109-0105                      |
| 14        | .472     | (12.00) | .559     | (14.19) | .183     | (4.65) | 79109-0006                         | 79109-8006                      | 79109-0056                         | 79109-8056                      | X                                  | 79109-0106                      |
| 16        | .551     | (14.00) | .637     | (16.19) | .183     | (4.65) | 79109-0007                         | 79109-8007                      | 79109-0057                         | 79109-8057                      | X                                  | 79109-0107                      |
| 18        | .630     | (16.00) | .716     | (18.19) | .183     | (4.65) | 79109-0008                         | 79109-8008                      | 79109-0058                         | 79109-8058                      | X                                  | 79109-0108                      |
| 20        | .709     | (18.00) | .795     | (20.19) | .183     | (4.65) | 79109-0009                         | 79109-8009                      | 79109-0059                         | 79109-8059                      | X                                  | 79109-0109                      |
| 22        | .787     | (20.00) | .874     | (22.19) | .183     | (4.65) | 79109-0010                         | 79109-8010                      | 79109-0060                         | 79109-8060                      | X                                  | 79109-0110                      |
| 24        | .866     | (22.00) | .952     | (24.19) | .183     | (4.65) | 79109-0011                         | 79109-8011                      | 79109-0061                         | 79109-8061                      | X                                  | 79109-0111                      |
| 26        | .945     | (24.00) | 1.031    | (26.19) | .183     | (4.65) | 79109-0012                         | 79109-8012                      | 79109-0062                         | 79109-8062                      | X                                  | 79109-0112                      |
| 28        | 1.024    | (26.00) | 1.110    | (28.19) | .183     | (4.65) | 79109-0013                         | 79109-8013                      | 79109-0063                         | 79109-8063                      | X                                  | 79109-0113                      |
| 30        | 1.102    | (28.00) | 1.188    | (30.19) | .183     | (4.65) | 79109-0014                         | 79109-8014                      | 79109-0064                         | 79109-8064                      | X                                  | 79109-0114                      |
| 32        | 1.181    | (30.00) | 1.267    | (32.19) | .183     | (4.65) | 79109-0015                         | 79109-8015                      | 79109-0065                         | 79109-8065                      | X                                  | 79109-0115                      |
| 34        | 1.260    | (32.00) | 1.346    | (34.19) | .183     | (4.65) | 79109-0016                         | 79109-8016                      | 79109-0066                         | 79109-8066                      | X                                  | 79109-0116                      |
| 36        | 1.338    | (34.00) | 1.425    | (36.19) | .183     | (4.65) | 79109-0017                         | 79109-8017                      | 79109-0067                         | 79109-8067                      | X                                  | 79109-0117                      |
| 38        | 1.417    | (36.00) | 1.504    | (38.19) | .183     | (4.65) | 79109-0018                         | 79109-8018                      | 79109-0068                         | 79109-8068                      | X                                  | 79109-0118                      |
| 40        | 1.496    | (38.00) | 1.582    | (40.19) | .183     | (4.65) | 79109-0019                         | 79109-8019                      | 79109-0069                         | 79109-8069                      | X                                  | 79109-0119                      |
| 42        | 1.575    | (40.00) | 1.661    | (42.19) | .183     | (4.65) | 79109-0020                         | 79109-8020                      | 79109-0070                         | 79109-8070                      | X                                  | 79109-0120                      |
| 44        | 1.654    | (42.00) | 1.740    | (44.19) | .183     | (4.65) | 79109-0021                         | 79109-8021                      | 79109-0071                         | 79109-8071                      | X                                  | 79109-0121                      |
| 46        | 1.732    | (44.00) | 1.818    | (46.19) | .183     | (4.65) | 79109-0022                         | 79109-8022                      | 79109-0072                         | 79109-8072                      | X                                  | 79109-0122                      |
| 48        | 1.811    | (46.00) | 1.897    | (48.19) | .183     | (4.65) | 79109-0023                         | 79109-8023                      | 79109-0073                         | 79109-8073                      | X                                  | 79109-0123                      |
| 50        | 1.890    | (48.00) | 1.976    | (50.19) | .183     | (4.65) | 79109-0024                         | 79109-8024                      | 79109-0074                         | 79109-8074                      | X                                  | 79109-0124                      |

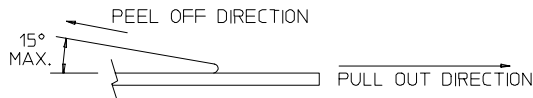
\*X INDICATES TOOLING NOT AVAILABLE

NOTES:

1. LEADER AND TRAILER TAPE



2. PEELING OFF FORCE OF THE TOP TAPE: 20-80gf. (PEELING DIRECTION AS SHOWN IN FOLLOWING FIGURE)



3. PACKAGING STANDARD IS AS PER EIA-481.

4. TAPE & REEL QUANTITY = 500 PCS/REEL

SPECIAL PACKAGING (TAPE PACKED WITHOUT CAP)

| CKT. SIZE | DIM. "A" |         | DIM. "B" |         | DIM. "D" |        | ITEM NO.   | PLATING OPTION SEE SHEET 1 |
|-----------|----------|---------|----------|---------|----------|--------|------------|----------------------------|
|           | INCH     | MM      | INCH     | MM      | INCH     | MM     |            |                            |
| 06        | .157     | (4.00)  | .244     | (6.19)  | .183     | (4.65) | 79109-9000 | 2                          |
| 20        | .709     | (18.00) | .795     | (20.19) | .183     | (4.65) | 79109-9001 | 2                          |
| 50        | 1.890    | (48.00) | 1.976    | (50.19) | .183     | (4.65) | 79109-9002 | 2                          |
| 34        | 1.260    | (32.00) | 1.346    | (34.19) | .183     | (4.65) | 79109-9003 | 2                          |

|  |                               |  |                                  |                          |   |                     |                      |                        |
|--|-------------------------------|--|----------------------------------|--------------------------|---|---------------------|----------------------|------------------------|
| ADD LEADER & TRAILER<br>EC NO: S2005-0714<br>DRWN:KSEE<br>CHKD:BLHOW<br>APPR:PTLIM<br>2005/10/19<br>2005/10/19<br>2005/11/06 | QUALITY SYMBOLS<br>▽=0<br>▽=0 | GENERAL TOLERANCES (UNLESS SPECIFIED)  |                                  | DIMENSION STYLE<br>IN/MM |   | SCALE<br>NTS        | DESIGN UNITS<br>INCH | THIRD ANGLE PROJECTION |
|  |                               | 4 PLACES ± --- ± ---<br>3 PLACES ± --- ± .010<br>2 PLACES ± 0.25 ± .015<br>1 PLACE ± 0.38 ± ---<br>ANGULAR ± 3 ° | DRAWN BY<br>AAB<br>1989/05/15    | DATE<br>1989/05/15       | SALES DRAWING<br>2MM DUAL ROW<br>VERTICAL RECEPTACLE, SMT |                     |                      |                        |
|  |                               | DRAFT WHERE APPLICABLE<br>MUST REMAIN<br>WITHIN DIMENSIONS   | CHECKED BY<br>MJM<br>1989/05/15  | DATE<br>1989/05/15       | MOLEX INCORPORATED  |                     |                      |                        |
|  |                               | MATERIAL NO.<br>SEE TABLE  | APPROVED BY<br>WAZ<br>1989/05/15 | DATE<br>1989/05/15       | DOCUMENT NO.<br>SDA-79109-***                             | SHEET NO.<br>2 OF 9 |                      |                        |

THIS DRAWING CONTAINS INFORMATION THAT IS PROPRIETARY TO MOLEX INCORPORATED AND SHOULD NOT BE USED WITHOUT WRITTEN PERMISSION

TIN OPTION

| CKT. SIZE | DIM. "A" |         | DIM. "B" |         | DIM. "D" |        | PLATING OPTION 5                   |                                 | PLATING OPTION 4                   |                                 | PLATING OPTION 6                   |                                 |   |
|-----------|----------|---------|----------|---------|----------|--------|------------------------------------|---------------------------------|------------------------------------|---------------------------------|------------------------------------|---------------------------------|---|
|           | INCH     | MM      | INCH     | MM      | INCH     | MM     | ITEM NO. TUBE PACKED (WITHOUT CAP) | ITEM NO. TAPE PACKED (WITH CAP) | ITEM NO. TUBE PACKED (WITHOUT CAP) | ITEM NO. TAPE PACKED (WITH CAP) | ITEM NO. TUBE PACKED (WITHOUT CAP) | ITEM NO. TAPE PACKED (WITH CAP) |   |
| 04        | .079     | (2.00)  | .165     | (4.19)  | .183     | (4.65) | 79109-1001                         | 79109-8401                      | 79109-1051                         | 79109-8451                      | X                                  | 79109-1101                      | - |
| 06        | .157     | (4.00)  | .244     | (6.19)  | .183     | (4.65) | 79109-1002                         | 79109-8402                      | 79109-1052                         | 79109-8452                      | X                                  | 79109-1102                      | - |
| 08        | .236     | (6.00)  | .322     | (8.19)  | .183     | (4.65) | 79109-1003                         | 79109-8403                      | 79109-1053                         | 79109-8453                      | X                                  | 79109-1103                      | - |
| 10        | .315     | (8.00)  | .401     | (10.19) | .183     | (4.65) | 79109-1004                         | 79109-8404                      | 79109-1054                         | 79109-8454                      | X                                  | 79109-1104                      | - |
| 12        | .394     | (10.00) | .480     | (12.19) | .183     | (4.65) | 79109-1005                         | 79109-8405                      | 79109-1055                         | 79109-8455                      | X                                  | 79109-1105                      | - |
| 14        | .472     | (12.00) | .559     | (14.19) | .183     | (4.65) | 79109-1006                         | 79109-8406                      | 79109-1056                         | 79109-8456                      | X                                  | 79109-1106                      | - |
| 16        | .551     | (14.00) | .637     | (16.19) | .183     | (4.65) | 79109-1007                         | 79109-8407                      | 79109-1057                         | 79109-8457                      | X                                  | 79109-1107                      | - |
| 18        | .630     | (16.00) | .716     | (18.19) | .183     | (4.65) | 79109-1008                         | 79109-8408                      | 79109-1058                         | 79109-8458                      | X                                  | 79109-1108                      | - |
| 20        | .709     | (18.00) | .795     | (20.19) | .183     | (4.65) | 79109-1009                         | 79109-8409                      | 79109-1059                         | 79109-8459                      | X                                  | 79109-1109                      | - |
| 22        | .787     | (20.00) | .874     | (22.19) | .183     | (4.65) | 79109-1010                         | 79109-8410                      | 79109-1060                         | 79109-8460                      | X                                  | 79109-1110                      | - |
| 24        | .866     | (22.00) | .952     | (24.19) | .183     | (4.65) | 79109-1011                         | 79109-8411                      | 79109-1061                         | 79109-8461                      | X                                  | 79109-1111                      | - |
| 26        | .945     | (24.00) | 1.031    | (26.19) | .183     | (4.65) | 79109-1012                         | 79109-8412                      | 79109-1062                         | 79109-8462                      | X                                  | 79109-1112                      | - |
| 28        | 1.024    | (26.00) | 1.110    | (28.19) | .183     | (4.65) | 79109-1013                         | 79109-8413                      | 79109-1063                         | 79109-8463                      | X                                  | 79109-1113                      | - |
| 30        | 1.102    | (28.00) | 1.188    | (30.19) | .183     | (4.65) | 79109-1014                         | 79109-8414                      | 79109-1064                         | 79109-8464                      | X                                  | 79109-1114                      | - |
| 32        | 1.181    | (30.00) | 1.267    | (32.19) | .183     | (4.65) | 79109-1015                         | 79109-8415                      | 79109-1065                         | 79109-8465                      | X                                  | 79109-1115                      | - |
| 34        | 1.260    | (32.00) | 1.346    | (34.19) | .183     | (4.65) | 79109-1016                         | 79109-8416                      | 79109-1066                         | 79109-8466                      | X                                  | 79109-1116                      | - |
| 36        | 1.338    | (34.00) | 1.425    | (36.19) | .183     | (4.65) | 79109-1017                         | 79109-8417                      | 79109-1067                         | 79109-8467                      | X                                  | 79109-1117                      | - |
| 38        | 1.417    | (36.00) | 1.504    | (38.19) | .183     | (4.65) | 79109-1018                         | 79109-8418                      | 79109-1068                         | 79109-8468                      | X                                  | 79109-1118                      | - |
| 40        | 1.496    | (38.00) | 1.582    | (40.19) | .183     | (4.65) | 79109-1019                         | 79109-8419                      | 79109-1069                         | 79109-8469                      | X                                  | 79109-1119                      | - |
| 42        | 1.575    | (40.00) | 1.661    | (42.19) | .183     | (4.65) | 79109-1020                         | 79109-8420                      | 79109-1070                         | 79109-8470                      | X                                  | 79109-1120                      | - |
| 44        | 1.654    | (42.00) | 1.740    | (44.19) | .183     | (4.65) | 79109-1021                         | 79109-8421                      | 79109-1071                         | 79109-8471                      | X                                  | 79109-1121                      | - |
| 46        | 1.732    | (44.00) | 1.818    | (46.19) | .183     | (4.65) | 79109-1022                         | 79109-8422                      | 79109-1072                         | 79109-8472                      | X                                  | 79109-1122                      | - |
| 48        | 1.811    | (46.00) | 1.897    | (48.19) | .183     | (4.65) | 79109-1023                         | 79109-8423                      | 79109-1073                         | 79109-8473                      | X                                  | 79109-1123                      | - |
| 50        | 1.890    | (48.00) | 1.976    | (50.19) | .183     | (4.65) | 79109-1024                         | 79109-8424                      | 79109-1074                         | 79109-8474                      | X                                  | 79109-1124                      | - |

\*X\* INDICATES TOOLING NOT AVAILABLE

SPECIAL PACKAGING (TAPE PACKED WITHOUT CAP)

| CKT. SIZE | DIM. "A" |         | DIM. "B" |         | DIM. "D" |        | ITEM NO.   | PLATING OPTION<br>SEE SHEET 1 |
|-----------|----------|---------|----------|---------|----------|--------|------------|-------------------------------|
|           | INCH     | MM      | INCH     | MM      | INCH     | MM     |            |                               |
| 06        | .157     | (4.00)  | .244     | (6.19)  | .183     | (4.65) | 79109-9004 | 5                             |
| 20        | .709     | (18.00) | .795     | (20.19) | .183     | (4.65) | 79109-9005 | 5                             |
| 50        | 1.890    | (48.00) | 1.976    | (50.19) | .183     | (4.65) | 79109-9006 | 5                             |
| 34        | 1.260    | (32.00) | 1.346    | (34.19) | .183     | (4.65) | 79109-9007 | 5                             |

UPDATE REVISION  
EC NO: S2005-0714  
2005/10/19  
DRWN:KSEE  
2005/10/19  
CHKD:BLW  
2005/11/06  
APPR:PTLIM

QUALITY SYMBOLS  
▽=0  
▽C=0

GENERAL TOLERANCES (UNLESS SPECIFIED)

|          | mm     | INCH    |
|----------|--------|---------|
| 4 PLACES | ± .010 | ± .0004 |
| 3 PLACES | ± .015 | ± .0005 |
| 2 PLACES | ± 0.25 | ± .010  |
| 1 PLACE  | ± 0.38 | ± .015  |

ANGULAR ± 3°

DRAFT WHERE APPLICABLE  
MUST REMAIN WITHIN DIMENSIONS

DIMENSION STYLE  
IN/MM

DRAWN BY DATE  
AAB 1989/05/15

CHECKED BY DATE  
MJM 1989/05/15

APPROVED BY DATE  
WAZ 1989/05/15

MATERIAL NO.  
SEE TABLE

SCALE NTS  
DESIGN UNITS INCH

THIRD ANGLE PROJECTION

SALES DRAWING  
2MM DUAL ROW  
VERTICAL RECEPTACLE, SMT

MOLEX INCORPORATED

DOCUMENT NO. SDA-79109-\*\*\*  
SHEET NO. 3 OF 9

THIS DRAWING CONTAINS INFORMATION THAT IS PROPRIETARY TO MOLEX INCORPORATED AND SHOULD NOT BE USED WITHOUT WRITTEN PERMISSION

10 9 8 7 6 5 4 3 2 1

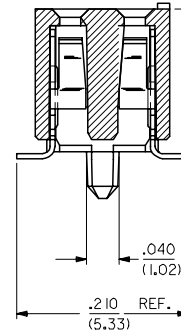
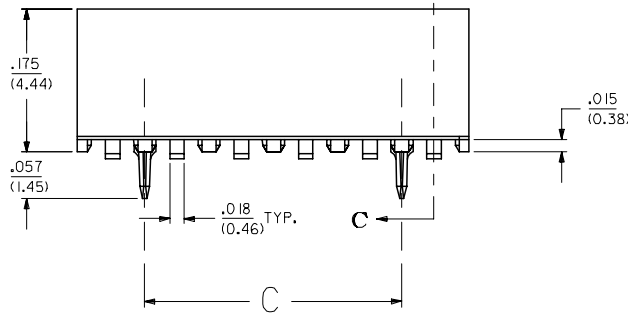
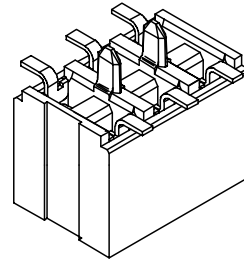
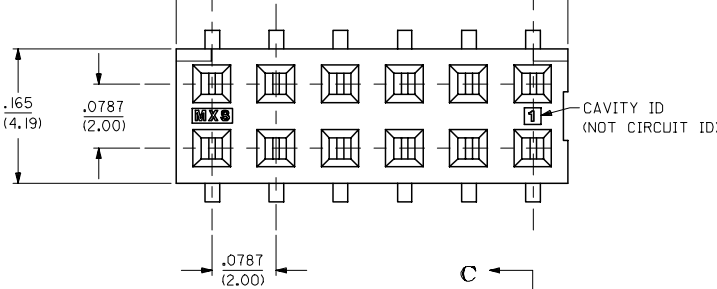
**PEG OPTION**

**PLATING OPTION:**

- ( 1 ) 30µin (0.75µm) MIN. GOLD PLATE IN SELECTED AREA AND 75µin (1.88µm) MIN. TIN/LEAD IN SELECTED AREA OVER 50µin (1.25µm) MIN. NICKEL OVER-ALL.
- ( 2 ) 15µin (0.38µm) MIN. GOLD PLATE IN SELECTED AREA AND 75µin (1.88µm) MIN. TIN/LEAD IN SELECTED AREA OVER 50µin (1.25µm) MIN. NICKEL OVER-ALL.
- ( 3 ) 5µin (0.13µm) MIN. GOLD PLATE IN SELECTED AREA AND 75µin (1.88µm) MIN. TIN/LEAD IN SELECTED AREA OVER 50µin (1.25µm) MIN. NICKEL OVER-ALL.
- ( 4 ) 30µin (0.75µm) MIN. GOLD PLATE IN SELECTED AREA AND 75µin (1.88µm) MIN. TIN IN SELECTED AREA OVER 50µin (1.25µm) MIN. NICKEL OVER-ALL.
- ( 5 ) 15µin (0.38µm) MIN. GOLD PLATE IN SELECTED AREA AND 75µin (1.88µm) MIN. TIN IN SELECTED AREA OVER 50µin (1.25µm) MIN. NICKEL OVER-ALL.
- ( 6 ) 5µin (0.13µm) MIN. GOLD PLATE IN SELECTED AREA AND 75µin (1.88µm) MIN. TIN IN SELECTED AREA OVER 50µin (1.25µm) MIN. NICKEL OVER-ALL.

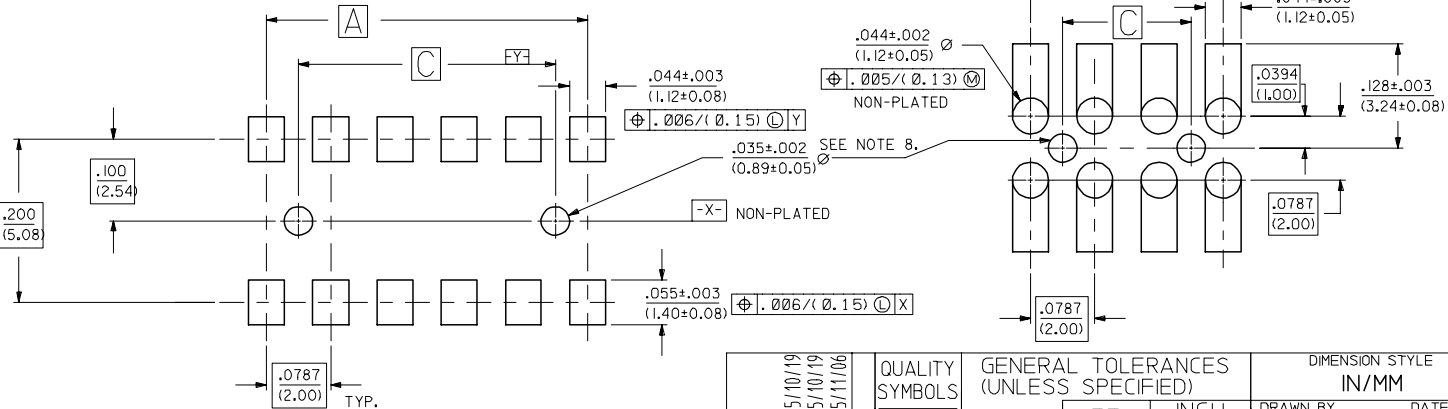
**NOTES:**

- 1 - HOUSING MATERIAL: GLASS FILLED HIGH TEMP. THERMOPLASTIC. COLOR: BLACK.
- 2 - TERMINAL MATERIAL: PHOSPHOR BRONZE
- 3 - SEE APPROPRIATE SHEET FOR CIRCUIT SIZE, PART NUMBERS AND OVER-ALL DIMENSIONS.
- 4 - FOR ILLUSTRATION, 6&12 CIRCUIT ASSEMBLY SHOWN.
- 5 - REFER TO PRODUCT SPECIFICATION PS-79107. PS-79107 DOES NOT APPLY TO 608 PLATING.
- 6 - TUBE PACKAGING PER PK-70873-0217 OR TAPE PACKAGING PER PK-70873-0259.
- 7 - SEE PSX-79107 FOR SUGGESTED BOTTOM ENTRY PIN LENGTHS.
- 8 - .035 DIA. FOR PRESS FIT ONLY. USE .039±.002 FOR ALIGNMENT PURPOSES ON PICK AND PLACE.



**SECTION C-C**

**Bottom Entry Layout**



**Recommended P.C. Board Layouts**

|   |                          |  |   |   |   |  |  |
|---|--------------------------|--|---|---|---|--|--|
| UPDATE REVISION<br>EC NO: S2005-0714<br>DRWN:KSEE<br>CHKD:BLW<br>APPR:PTLIM<br>2005/10/19<br>2005/10/19<br>2005/11/06 | DESCRIPTION<br>L3<br>REV | QUALITY SYMBOLS<br>▽=0<br>▽=0                              | GENERAL TOLERANCES (UNLESS SPECIFIED)<br>mm      INCH<br>4 PLACES ± --- ± ---<br>3 PLACES ± --- ± .010<br>2 PLACES ± 0.25 ± .015<br>1 PLACE ± 0.38 ± ---<br>ANGULAR ± 3 ° | DIMENSION STYLE<br>IN/MM<br>DRAWN BY      DATE<br>RWB            1991/07/01<br>CHECKED BY    DATE<br>JD              1991/07/01<br>APPROVED BY    DATE<br>WAZ              1991/07/01 | SCALE<br>NTS<br>DESIGN UNITS<br>INCH<br>THIRD ANGLE PROJECTION  | TITLE<br>SALES DRAWING<br>2MM DUAL ROW<br>VERTICAL RECEPTACLE, SMT<br>MOLEX INCORPORATED | MATERIAL NO.<br>SEE TABLE<br>DOCUMENT NO.<br>SDA-79109-****<br>SHEET NO.<br>4 OF 9 |
|   |                          | DRAFT WHERE APPLICABLE<br>MUST REMAIN<br>WITHIN DIMENSIONS |   |   | THIS DRAWING CONTAINS INFORMATION THAT IS PROPRIETARY TO MOLEX INCORPORATED AND SHOULD NOT BE USED WITHOUT WRITTEN PERMISSION |  |  |
|   |                          |  |   |   |   |  |  |
|   |                          |  |   |   |   |  |  |

9 8 7 6 5 4 3 2 1

PEG OPTION (TIN/LEAD)

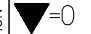
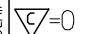
| CKT. SIZE | DIM. "A" |         | DIM. "B" |         | DIM. "C" |         | DIM. "D" |        | PLATING OPTION 2                   |                                 | PLATING OPTION 1                   |                                 | PLATING OPTION 3                   |                                 |
|-----------|----------|---------|----------|---------|----------|---------|----------|--------|------------------------------------|---------------------------------|------------------------------------|---------------------------------|------------------------------------|---------------------------------|
|           | INCH     | MM      | INCH     | MM      | INCH     | MM      | INCH     | MM     | ITEM NO. TUBE PACKED (WITHOUT CAP) | ITEM NO. TAPE PACKED (WITH CAP) | ITEM NO. TUBE PACKED (WITHOUT CAP) | ITEM NO. TAPE PACKED (WITH CAP) | ITEM NO. TUBE PACKED (WITHOUT CAP) | ITEM NO. TAPE PACKED (WITH CAP) |
| 04        | .079     | (2.00)  | .165     | (4.19)  | -        | -       | .183     | (4.65) | 79109-0201                         | 79109-8201                      | 79109-0251                         | 79109-8251                      | X                                  | 79109-0301                      |
| 06        | .157     | (4.00)  | .244     | (6.19)  | .079     | (2.00)  | .183     | (4.65) | 79109-0202                         | 79109-8202                      | 79109-0252                         | 79109-8252                      | X                                  | 79109-0302                      |
| 08        | .236     | (6.00)  | .322     | (8.19)  | .157     | (4.00)  | .183     | (4.65) | 79109-0203                         | 79109-8203                      | 79109-0253                         | 79109-8253                      | X                                  | 79109-0303                      |
| 10        | .315     | (8.00)  | .401     | (10.19) | .236     | (6.00)  | .183     | (4.65) | 79109-0204                         | 79109-8204                      | 79109-0254                         | 79109-8254                      | X                                  | 79109-0304                      |
| 12        | .394     | (10.00) | .480     | (12.19) | .315     | (8.00)  | .183     | (4.65) | 79109-0205                         | 79109-8205                      | 79109-0255                         | 79109-8255                      | X                                  | 79109-0305                      |
| 14        | .472     | (12.00) | .559     | (14.19) | .394     | (10.00) | .183     | (4.65) | 79109-0206                         | 79109-8206                      | 79109-0256                         | 79109-8256                      | X                                  | 79109-0306                      |
| 16        | .551     | (14.00) | .637     | (16.19) | .472     | (12.00) | .183     | (4.65) | 79109-0207                         | 79109-8207                      | 79109-0257                         | 79109-8257                      | X                                  | 79109-0307                      |
| 18        | .630     | (16.00) | .716     | (18.19) | .551     | (14.00) | .183     | (4.65) | 79109-0208                         | 79109-8208                      | 79109-0258                         | 79109-8258                      | X                                  | 79109-0308                      |
| 20        | .709     | (18.00) | .795     | (20.19) | .630     | (16.00) | .183     | (4.65) | 79109-0209                         | 79109-8209                      | 79109-0259                         | 79109-8259                      | X                                  | 79109-0309                      |
| 22        | .787     | (20.00) | .874     | (22.19) | .709     | (18.00) | .183     | (4.65) | 79109-0210                         | 79109-8210                      | 79109-0260                         | 79109-8260                      | X                                  | 79109-0310                      |
| 24        | .866     | (22.00) | .952     | (24.19) | .787     | (20.00) | .183     | (4.65) | 79109-0211                         | 79109-8211                      | 79109-0261                         | 79109-8261                      | X                                  | 79109-0311                      |
| 26        | .945     | (24.00) | 1.031    | (26.19) | .866     | (22.00) | .183     | (4.65) | 79109-0212                         | 79109-8212                      | 79109-0262                         | 79109-8262                      | X                                  | 79109-0312                      |
| 28        | 1.024    | (26.00) | 1.110    | (28.19) | .945     | (24.00) | .183     | (4.65) | 79109-0213                         | 79109-8213                      | 79109-0263                         | 79109-8263                      | X                                  | 79109-0313                      |
| 30        | 1.102    | (28.00) | 1.188    | (30.19) | 1.024    | (26.00) | .183     | (4.65) | 79109-0214                         | 79109-8214                      | 79109-0264                         | 79109-8264                      | X                                  | 79109-0314                      |
| 32        | 1.181    | (30.00) | 1.267    | (32.19) | 1.102    | (28.00) | .183     | (4.65) | 79109-0215                         | 79109-8215                      | 79109-0265                         | 79109-8265                      | X                                  | 79109-0315                      |
| 34        | 1.260    | (32.00) | 1.346    | (34.19) | 1.181    | (30.00) | .183     | (4.65) | 79109-0216                         | 79109-8216                      | 79109-0266                         | 79109-8266                      | X                                  | 79109-0316                      |
| 36        | 1.338    | (34.00) | 1.425    | (36.19) | 1.260    | (32.00) | .183     | (4.65) | 79109-0217                         | 79109-8217                      | 79109-0267                         | 79109-8267                      | X                                  | 79109-0317                      |
| 38        | 1.417    | (36.00) | 1.504    | (38.19) | 1.338    | (34.00) | .183     | (4.65) | 79109-0218                         | 79109-8218                      | 79109-0268                         | 79109-8268                      | X                                  | 79109-0318                      |
| 40        | 1.496    | (38.00) | 1.582    | (40.19) | 1.417    | (36.00) | .183     | (4.65) | 79109-0219                         | 79109-8219                      | 79109-0269                         | 79109-8269                      | X                                  | 79109-0319                      |
| 42        | 1.575    | (40.00) | 1.661    | (42.19) | 1.496    | (38.00) | .183     | (4.65) | 79109-0220                         | 79109-8220                      | 79109-0270                         | 79109-8270                      | X                                  | 79109-0320                      |
| 44        | 1.654    | (42.00) | 1.740    | (44.19) | 1.575    | (40.00) | .183     | (4.65) | 79109-0221                         | 79109-8221                      | 79109-0271                         | 79109-8271                      | X                                  | 79109-0321                      |
| 46        | 1.732    | (44.00) | 1.818    | (46.19) | 1.654    | (42.00) | .183     | (4.65) | 79109-0222                         | 79109-8222                      | 79109-0272                         | 79109-8272                      | X                                  | 79109-0322                      |
| 48        | 1.811    | (46.00) | 1.897    | (48.19) | 1.732    | (44.00) | .183     | (4.65) | 79109-0223                         | 79109-8223                      | 79109-0273                         | 79109-8273                      | X                                  | 79109-0323                      |
| 50        | 1.890    | (48.00) | 1.976    | (50.19) | 1.811    | (46.00) | .183     | (4.65) | 79109-0224                         | 79109-8224                      | 79109-0274                         | 79109-8274                      | X                                  | 79109-0324                      |

\*X\* INDICATES TOOLING NOT AVAILABLE

SPECIAL PACKAGING (TAPE PACKED WITHOUT CAP)

| CKT. SIZE | DIM. "A" |         | DIM. "B" |         | DIM. "D" |        | ITEM NO.   | PLATING OPTION<br>SEE SHEET 1 |
|-----------|----------|---------|----------|---------|----------|--------|------------|-------------------------------|
|           | INCH     | MM      | INCH     | MM      | INCH     | MM     |            |                               |
| 50        | 1.890    | (48.00) | 1.976    | (50.19) | .183     | (4.65) | 79109-9102 | 2                             |

UPDATE REVISION  
 EC NO: S2005-0714  
 2005/10/19  
 DRWN:KSEE  
 2005/10/19  
 CHKD:BLHOW  
 2005/11/06  
 APPR:PTLIM

QUALITY SYMBOLS  
 =0  
 =0

GENERAL TOLERANCES (UNLESS SPECIFIED)

|               | mm     | INCH   |
|---------------|--------|--------|
| 4 PLACES      | ± ---  | ± ---  |
| 3 PLACES      | ± ---  | ± .010 |
| 2 PLACES      | ± 0.25 | ± .015 |
| 1 PLACE       | ± 0.38 | ± ---  |
| ANGULAR ± 3 ° |        |        |

DRAFT WHERE APPLICABLE  
 MUST REMAIN WITHIN DIMENSIONS

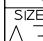
DIMENSION STYLE  
 IN/MM

DRAWN BY DATE  
 RWB 1991/07/01

CHECKED BY DATE  
 JD 1991/07/01

APPROVED BY DATE  
 WAZ 1991/07/01

MATERIAL NO.  
 SEE TABLE

SIZE  


SCALE  
 NTS

DESIGN UNITS  
 INCH

THIRD ANGLE PROJECTION

TITLE  
 SALES DRAWING  
 2MM DUAL ROW, WITH PEG  
 VERTICAL RECEPTACLE, SMT

MOLEX INCORPORATED

DOCUMENT NO.  
 SDA-79109-\*\*\*\*

SHEET NO.  
 5 OF 9

THIS DRAWING CONTAINS INFORMATION THAT IS PROPRIETARY TO MOLEX INCORPORATED AND SHOULD NOT BE USED WITHOUT WRITTEN PERMISSION

PEG OPTION (TIN)

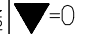
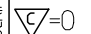
| CKT. SIZE | DIM. "A" |         | DIM. "B" |         | DIM. "C" |         | DIM. "D" |        | PLATING OPTION 5                   |                                 | PLATING OPTION 4                   |                                 | PLATING OPTION 6                   |                                 |
|-----------|----------|---------|----------|---------|----------|---------|----------|--------|------------------------------------|---------------------------------|------------------------------------|---------------------------------|------------------------------------|---------------------------------|
|           | INCH     | MM      | INCH     | MM      | INCH     | MM      | INCH     | MM     | ITEM NO. TUBE PACKED (WITHOUT CAP) | ITEM NO. TAPE PACKED (WITH CAP) | ITEM NO. TUBE PACKED (WITHOUT CAP) | ITEM NO. TAPE PACKED (WITH CAP) | ITEM NO. TUBE PACKED (WITHOUT CAP) | ITEM NO. TAPE PACKED (WITH CAP) |
| 04        | .079     | (2.00)  | .165     | (4.19)  | -        | -       | .183     | (4.65) | 79109-1201                         | 79109-8601                      | 79109-1251                         | 79109-8651                      | X                                  | 79109-1301                      |
| 06        | .157     | (4.00)  | .244     | (6.19)  | .079     | (2.00)  | .183     | (4.65) | 79109-1202                         | 79109-8602                      | 79109-1252                         | 79109-8652                      | X                                  | 79109-1302                      |
| 08        | .236     | (6.00)  | .322     | (8.19)  | .157     | (4.00)  | .183     | (4.65) | 79109-1203                         | 79109-8603                      | 79109-1253                         | 79109-8653                      | X                                  | 79109-1303                      |
| 10        | .315     | (8.00)  | .401     | (10.19) | .236     | (6.00)  | .183     | (4.65) | 79109-1204                         | 79109-8604                      | 79109-1254                         | 79109-8654                      | X                                  | 79109-1304                      |
| 12        | .394     | (10.00) | .480     | (12.19) | .315     | (8.00)  | .183     | (4.65) | 79109-1205                         | 79109-8605                      | 79109-1255                         | 79109-8655                      | X                                  | 79109-1305                      |
| 14        | .472     | (12.00) | .559     | (14.19) | .394     | (10.00) | .183     | (4.65) | 79109-1206                         | 79109-8606                      | 79109-1256                         | 79109-8656                      | X                                  | 79109-1306                      |
| 16        | .551     | (14.00) | .637     | (16.19) | .472     | (12.00) | .183     | (4.65) | 79109-1207                         | 79109-8607                      | 79109-1257                         | 79109-8657                      | X                                  | 79109-1307                      |
| 18        | .630     | (16.00) | .716     | (18.19) | .551     | (14.00) | .183     | (4.65) | 79109-1208                         | 79109-8608                      | 79109-1258                         | 79109-8658                      | X                                  | 79109-1308                      |
| 20        | .709     | (18.00) | .795     | (20.19) | .630     | (16.00) | .183     | (4.65) | 79109-1209                         | 79109-8609                      | 79109-1259                         | 79109-8659                      | X                                  | 79109-1309                      |
| 22        | .787     | (20.00) | .874     | (22.19) | .709     | (18.00) | .183     | (4.65) | 79109-1210                         | 79109-8610                      | 79109-1260                         | 79109-8660                      | X                                  | 79109-1310                      |
| 24        | .866     | (22.00) | .952     | (24.19) | .787     | (20.00) | .183     | (4.65) | 79109-1211                         | 79109-8611                      | 79109-1261                         | 79109-8661                      | X                                  | 79109-1311                      |
| 26        | .945     | (24.00) | 1.031    | (26.19) | .866     | (22.00) | .183     | (4.65) | 79109-1212                         | 79109-8612                      | 79109-1262                         | 79109-8662                      | X                                  | 79109-1312                      |
| 28        | 1.024    | (26.00) | 1.110    | (28.19) | .945     | (24.00) | .183     | (4.65) | 79109-1213                         | 79109-8613                      | 79109-1263                         | 79109-8663                      | X                                  | 79109-1313                      |
| 30        | 1.102    | (28.00) | 1.188    | (30.19) | 1.024    | (26.00) | .183     | (4.65) | 79109-1214                         | 79109-8614                      | 79109-1264                         | 79109-8664                      | X                                  | 79109-1314                      |
| 32        | 1.181    | (30.00) | 1.267    | (32.19) | 1.102    | (28.00) | .183     | (4.65) | 79109-1215                         | 79109-8615                      | 79109-1265                         | 79109-8665                      | X                                  | 79109-1315                      |
| 34        | 1.260    | (32.00) | 1.346    | (34.19) | 1.181    | (30.00) | .183     | (4.65) | 79109-1216                         | 79109-8616                      | 79109-1266                         | 79109-8666                      | X                                  | 79109-1316                      |
| 36        | 1.338    | (34.00) | 1.425    | (36.19) | 1.260    | (32.00) | .183     | (4.65) | 79109-1217                         | 79109-8617                      | 79109-1267                         | 79109-8667                      | X                                  | 79109-1317                      |
| 38        | 1.417    | (36.00) | 1.504    | (38.19) | 1.338    | (34.00) | .183     | (4.65) | 79109-1218                         | 79109-8618                      | 79109-1268                         | 79109-8668                      | X                                  | 79109-1318                      |
| 40        | 1.496    | (38.00) | 1.582    | (40.19) | 1.417    | (36.00) | .183     | (4.65) | 79109-1219                         | 79109-8619                      | 79109-1269                         | 79109-8669                      | X                                  | 79109-1319                      |
| 42        | 1.575    | (40.00) | 1.661    | (42.19) | 1.496    | (38.00) | .183     | (4.65) | 79109-1220                         | 79109-8620                      | 79109-1270                         | 79109-8670                      | X                                  | 79109-1320                      |
| 44        | 1.654    | (42.00) | 1.740    | (44.19) | 1.575    | (40.00) | .183     | (4.65) | 79109-1221                         | 79109-8621                      | 79109-1271                         | 79109-8671                      | X                                  | 79109-1321                      |
| 46        | 1.732    | (44.00) | 1.818    | (46.19) | 1.654    | (42.00) | .183     | (4.65) | 79109-1222                         | 79109-8622                      | 79109-1272                         | 79109-8672                      | X                                  | 79109-1322                      |
| 48        | 1.811    | (46.00) | 1.897    | (48.19) | 1.732    | (44.00) | .183     | (4.65) | 79109-1223                         | 79109-8623                      | 79109-1273                         | 79109-8673                      | X                                  | 79109-1323                      |
| 50        | 1.890    | (48.00) | 1.976    | (50.19) | 1.811    | (46.00) | .183     | (4.65) | 79109-1224                         | 79109-8624                      | 79109-1274                         | 79109-8674                      | X                                  | 79109-1324                      |

\*X\* INDICATES TOOLING NOT AVAILABLE

SPECIAL PACKAGING (TAPE PACKED WITHOUT CAP)


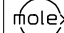
| CKT. SIZE | DIM. "A" |         | DIM. "B" |         | DIM. "D" |        | ITEM NO.   | PLATING OPTION<br>SEE SHEET 1 |
|-----------|----------|---------|----------|---------|----------|--------|------------|-------------------------------|
|           | INCH     | MM      | INCH     | MM      | INCH     | MM     |            |                               |
| 50        | 1.890    | (48.00) | 1.976    | (50.19) | .183     | (4.65) | 79109-9103 | 5                             |

|                   |             |            |            |
|-------------------|-------------|------------|------------|
| UPDATE REVISION   | 2005/10/19  | 2005/10/19 | 2005/11/07 |
| EC NO: S2005-0714 | DRWN:KSEE   | CHKD:BLHOW | APPR:PTLIM |
| REV               | DESCRIPTION |            |            |
| L3                |             |            |            |

QUALITY SYMBOLS  
 = 0  
 = 0

| GENERAL TOLERANCES (UNLESS SPECIFIED)                | DIMENSION STYLE |        |
|--|-----------------|--------|
|  | mm              | INCH   |
| 4 PLACES   | ± ---           | ± ---  |
| 3 PLACES   | ± ---           | ± .010 |
| 2 PLACES   | ± 0.25          | ± .015 |
| 1 PLACE  | ± 0.38          | ± ---  |
| ANGULAR ± 3 °  |                 |        |
| DRAFT WHERE APPLICABLE MUST REMAIN WITHIN DIMENSIONS |                 |        |

| DRAWN BY     |  | DATE       |
|--------------|--|------------|
| RWB          |  | 1991/07/01 |
| CHECKED BY   |  | DATE       |
| JD           |  | 1991/07/01 |
| APPROVED BY  |  | DATE       |
| WAZ          |  | 1991/07/01 |
| MATERIAL NO. |  |            |
| SEE TABLE    |  |            |

| SCALE   | DESIGN UNITS | THIRD ANGLE PROJECTION  |
|---|--------------|---|
| NTS   | INCH         |  |
| SALES DRAWING<br>2MM DUAL ROW<br>VERTICAL RECEPTACLE, SMT   |              |   |
|  MOLEX INCORPORATED                      |              |   |
| DOCUMENT NO.  |              | SHEET NO.   |
| SDA-79109-****  |              | 6 OF 9  |
| THIS DRAWING CONTAINS INFORMATION THAT IS PROPRIETARY TO MOLEX INCORPORATED AND SHOULD NOT BE USED WITHOUT WRITTEN PERMISSION |              |   |

SPECIAL - PEG OPTION WITH CUSTOM TERMINAL FEET (TIN/LEAD)

| CKT. SIZE | DIM. "A" |         | DIM. "B" |         | DIM. "C" |         | DIM. "D" |        | PLATING OPTION 2                   |                                 | PLATING OPTION 2                   |                                 | PLATE                              |                                 |   |      |
|-----------|----------|---------|----------|---------|----------|---------|----------|--------|------------------------------------|---------------------------------|------------------------------------|---------------------------------|------------------------------------|---------------------------------|---|------|
|           | INCH     | MM      | INCH     | MM      | INCH     | MM      | INCH     | MM     | ITEM NO. TUBE PACKED (WITHOUT CAP) | ITEM NO. TAPE PACKED (WITH CAP) | ITEM NO. TUBE PACKED (WITHOUT CAP) | ITEM NO. TAPE PACKED (WITH CAP) | ITEM NO. TUBE PACKED (WITHOUT CAP) | ITEM NO. TAPE PACKED (WITH CAP) |   |      |
| 04        | .079     | (2.00)  | .165     | (4.19)  | -        | -       | .185     | (4.70) | X                                  |                                 | X                                  | 79109-8351                      | X                                  |                                 | X |      |
| 06        | .157     | (4.00)  | .244     | (6.19)  | .079     | (2.00)  | .185     | (4.70) | X                                  |                                 | X                                  | 79109-8352                      | X                                  |                                 | X |      |
| 08        | .236     | (6.00)  | .322     | (8.19)  | .157     | (4.00)  | .185     | (4.70) | X                                  |                                 | X                                  | 79109-8353                      | X                                  |                                 | X |      |
| 10        | .315     | (8.00)  | .401     | (10.19) | .236     | (6.00)  | .185     | (4.70) | X                                  |                                 | X                                  | 79109-8354                      | X                                  |                                 | X |      |
| 12        | .394     | (10.00) | .480     | (12.19) | .315     | (8.00)  | .185     | (4.70) | X                                  |                                 | X                                  | 79109-8355                      | X                                  |                                 | X |      |
| 14        | .472     | (12.00) | .559     | (14.19) | .394     | (10.00) | .185     | (4.70) | X                                  |                                 | X                                  | 79109-8356                      | X                                  |                                 | X |      |
| 16        | .551     | (14.00) | .637     | (16.19) | .472     | (12.00) | .185     | (4.70) | X                                  |                                 | X                                  | 79109-8357                      | X                                  |                                 | X |      |
| 18        | .630     | (16.00) | .716     | (18.19) | .551     | (14.00) | .185     | (4.70) | X                                  |                                 | X                                  | 79109-8358                      | X                                  |                                 | X |      |
| 20        | .709     | (18.00) | .795     | (20.19) | .630     | (16.00) | .185     | (4.70) | X                                  |                                 | X                                  | 79109-8359                      | X                                  |                                 | X |      |
| 22        | .787     | (20.00) | .874     | (22.19) | .709     | (18.00) | .185     | (4.70) | X                                  |                                 | X                                  | 79109-8360                      | X                                  |                                 | X |      |
| 24        | .866     | (22.00) | .952     | (24.19) | .787     | (20.00) | .185     | (4.70) | X                                  |                                 | X                                  | 79109-8361                      | X                                  |                                 | X |      |
| 26        | .945     | (24.00) | 1.031    | (26.19) | .866     | (22.00) | .185     | (4.70) | X                                  |                                 | X                                  | 79109-8362                      | X                                  |                                 | X |      |
| 28        | 1.024    | (26.00) | 1.110    | (28.19) | .945     | (24.00) | .185     | (4.70) | X                                  |                                 | X                                  | 79109-8363                      | X                                  |                                 | X |      |
| 30        | 1.102    | (28.00) | 1.188    | (30.19) | 1.024    | (26.00) | .185     | (4.70) |                                    | 79109-7000                      |                                    | 79109-8364                      | X                                  |                                 | X |      |
| 32        | 1.181    | (30.00) | 1.267    | (32.19) | 1.102    | (28.00) | .185     | (4.70) | X                                  |                                 | X                                  | 79109-8365                      | X                                  |                                 | X |      |
| 34        | 1.260    | (32.00) | 1.346    | (34.19) | 1.181    | (30.00) | .185     | (4.70) | X                                  |                                 | X                                  | 79109-8366                      | X                                  |                                 | X |      |
| 36        | 1.338    | (34.00) | 1.425    | (36.19) | 1.260    | (32.00) | .185     | (4.70) | X                                  |                                 | X                                  | 79109-8367                      | X                                  |                                 | X |      |
| 38        | 1.417    | (36.00) | 1.504    | (38.19) | 1.338    | (34.00) | .185     | (4.70) | X                                  |                                 | X                                  | 79109-8368                      | X                                  |                                 | X |      |
| 40        | 1.496    | (38.00) | 1.582    | (40.19) | 1.417    | (36.00) | .185     | (4.70) | X                                  |                                 | X                                  | 79109-8369                      | X                                  |                                 | X |      |
| 42        | 1.575    | (40.00) | 1.661    | (42.19) | 1.496    | (38.00) | .185     | (4.70) | X                                  |                                 | X                                  | N.A.                            | X                                  |                                 | X | N.A. |
| 44        | 1.654    | (42.00) | 1.740    | (44.19) | 1.575    | (40.00) | .185     | (4.70) |                                    | 79109-7006                      | X                                  | N.A.                            | X                                  |                                 | X | N.A. |
| 46        | 1.732    | (44.00) | 1.818    | (46.19) | 1.654    | (42.00) | .185     | (4.70) | X                                  |                                 | X                                  | N.A.                            | X                                  |                                 | X | N.A. |
| 48        | 1.811    | (46.00) | 1.897    | (48.19) | 1.732    | (44.00) | .185     | (4.70) | X                                  |                                 | X                                  | N.A.                            | X                                  |                                 | X | N.A. |
| 50        | 1.890    | (48.00) | 1.976    | (50.19) | 1.811    | (46.00) | .185     | (4.70) |                                    | 79109-7005                      | X                                  | N.A.                            | X                                  |                                 | X | N.A. |

\*X INDICATES TOOLING NOT AVAILABLE

SPECIAL - PEG OPTION WITH CUSTOM T.F & VOIDED CIRCUITS (TIN/LEAD)

| CKT. SIZE | ASSEMBLY                           |                                 | VOID LOCATION(S)<br>SEE SHEET 1 FOR CONVENTION |             | PLATING OPTION | DIM. "A" |         | DIM. "B" |         | DIM. "C" |         | DIM. "D" |        |
|-----------|------------------------------------|---------------------------------|--|-------------|----------------|----------|---------|----------|---------|----------|---------|----------|--------|
|           | ITEM NO. TUBE PACKED (WITHOUT CAP) | ITEM NO. TAPE PACKED (WITH CAP) | ROW  | CKT. NO.(S) |                | INCH     | MM      | INCH     | MM      | INCH     | MM      | INCH     | MM     |
| 48        | 79109-7001                         | X 79109-8381                    | ROW A  | 1, 24       | 2              | 1.811    | (46.00) | 1.897    | (48.19) | 1.732    | (44.00) | .185     | (4.70) |
| 42        | 79109-7002                         | X 79109-8382                    | ROW A  | 1, 21       | 2              | 1.575    | (40.00) | 1.661    | (42.19) | 1.496    | (38.00) | .185     | (4.70) |
| 20        | 79109-7003                         | 79109-8383                      | ROW A  | 1, 10       | 2              | .709     | (18.00) | .795     | (20.19) | .630     | (16.00) | .185     | (4.70) |
| 50        | 79109-7004                         | X 79109-8384                    | ROW B  | 13          | 2              | 1.890    | (48.00) | 1.976    | (50.19) | 1.811    | (46.00) | .185     | (4.70) |

|   |                               |  |  |                                    |  |  |                      |   |  |                     |
|---|-------------------------------|--|--|------------------------------------|--|--|----------------------|---|--|---------------------|
| UPDATE REVISION<br>EC NO: S2005-0714<br>DRWN:KSEE<br>CHKD:BLHOW<br>APPR:PTLIM<br>2005/10/19<br>2005/10/19<br>2005/11/07 | QUALITY SYMBOLS<br>▽=0<br>▽=0 | GENERAL TOLERANCES (UNLESS SPECIFIED)  |  | DIMENSION STYLE<br>IN/MM           |  | SCALE<br>NTS   | DESIGN UNITS<br>INCH | THIRD ANGLE PROJECTION  |  |                     |
|   |                               | 4 PLACES ± --- ± ---<br>3 PLACES ± --- ± .010<br>2 PLACES ± 0.25 ± .015<br>1 PLACE ± 0.38 ± ---<br>ANGULAR ± 3 ° |  | DRAWN BY DATE<br>RWB 1991/07/18    |  | TITLE<br>SALES DRAWING<br>2MM DUAL ROW<br>VERTICAL RECEPTACLE, SMT |                      | MOLEX INCORPORATED  |  |                     |
|   |                               | DRAFT WHERE APPLICABLE MUST REMAIN WITHIN DIMENSIONS   |  | APPROVED BY DATE<br>JD 1991/07/18  |  | MATERIAL NO.   |                      | DOCUMENT NO.<br>SDA-79109-***   |  | SHEET NO.<br>7 OF 9 |
|   |                               | SEE TABLE  |  | APPROVED BY DATE<br>WAZ 1991/07/18 |  | SIZE<br>A3   |                      | THIS DRAWING CONTAINS INFORMATION THAT IS PROPRIETARY TO MOLEX INCORPORATED AND SHOULD NOT BE USED WITHOUT WRITTEN PERMISSION |  |                     |

SPECIAL - PEG OPTION WITH CUSTOM TERMINAL FEET (TIN)

| CKT. SIZE | DIM. "A" |         | DIM. "B" |         | DIM. "C" |         | DIM. "D" |        | PLATING OPTION 5                   |                                 | PLATING OPTION 5                   |                                 | PLATE                              |                                 |   |      |
|-----------|----------|---------|----------|---------|----------|---------|----------|--------|------------------------------------|---------------------------------|------------------------------------|---------------------------------|------------------------------------|---------------------------------|---|------|
|           | INCH     | MM      | INCH     | MM      | INCH     | MM      | INCH     | MM     | ITEM NO. TUBE PACKED (WITHOUT CAP) | ITEM NO. TAPE PACKED (WITH CAP) | ITEM NO. TUBE PACKED (WITHOUT CAP) | ITEM NO. TAPE PACKED (WITH CAP) | ITEM NO. TUBE PACKED (WITHOUT CAP) | ITEM NO. TAPE PACKED (WITH CAP) |   |      |
| 04        | .079     | (2.00)  | .165     | (4.19)  | -        | -       | .185     | (4.70) | X                                  |                                 | X                                  | 79109-8751                      | X                                  |                                 | X |      |
| 06        | .157     | (4.00)  | .244     | (6.19)  | .079     | (2.00)  | .185     | (4.70) | X                                  |                                 | X                                  | 79109-8752                      | X                                  |                                 | X |      |
| 08        | .236     | (6.00)  | .322     | (8.19)  | .157     | (4.00)  | .185     | (4.70) | X                                  |                                 | X                                  | 79109-8753                      | X                                  |                                 | X |      |
| 10        | .315     | (8.00)  | .401     | (10.19) | .236     | (6.00)  | .185     | (4.70) | X                                  |                                 | X                                  | 79109-8754                      | X                                  |                                 | X |      |
| 12        | .394     | (10.00) | .480     | (12.19) | .315     | (8.00)  | .185     | (4.70) | X                                  |                                 | X                                  | 79109-8755                      | X                                  |                                 | X |      |
| 14        | .472     | (12.00) | .559     | (14.19) | .394     | (10.00) | .185     | (4.70) | X                                  |                                 | X                                  | 79109-8756                      | X                                  |                                 | X |      |
| 16        | .551     | (14.00) | .637     | (16.19) | .472     | (12.00) | .185     | (4.70) | X                                  |                                 | X                                  | 79109-8757                      | X                                  |                                 | X |      |
| 18        | .630     | (16.00) | .716     | (18.19) | .551     | (14.00) | .185     | (4.70) | X                                  |                                 | X                                  | 79109-8758                      | X                                  |                                 | X |      |
| 20        | .709     | (18.00) | .795     | (20.19) | .630     | (16.00) | .185     | (4.70) | X                                  |                                 | X                                  | 79109-8759                      | X                                  |                                 | X |      |
| 22        | .787     | (20.00) | .874     | (22.19) | .709     | (18.00) | .185     | (4.70) | X                                  |                                 | X                                  | 79109-8760                      | X                                  |                                 | X |      |
| 24        | .866     | (22.00) | .952     | (24.19) | .787     | (20.00) | .185     | (4.70) | X                                  |                                 | X                                  | 79109-8761                      | X                                  |                                 | X |      |
| 26        | .945     | (24.00) | 1.031    | (26.19) | .866     | (22.00) | .185     | (4.70) | X                                  |                                 | X                                  | 79109-8762                      | X                                  |                                 | X |      |
| 28        | 1.024    | (26.00) | 1.110    | (28.19) | .945     | (24.00) | .185     | (4.70) | X                                  |                                 | X                                  | 79109-8763                      | X                                  |                                 | X |      |
| 30        | 1.102    | (28.00) | 1.188    | (30.19) | 1.024    | (26.00) | .185     | (4.70) |                                    | 79109-7010                      |                                    | 79109-8764                      |                                    | 79109-7065                      | X | X    |
| 32        | 1.181    | (30.00) | 1.267    | (32.19) | 1.102    | (28.00) | .185     | (4.70) | X                                  |                                 | X                                  | 79109-8765                      | X                                  |                                 | X |      |
| 34        | 1.260    | (32.00) | 1.346    | (34.19) | 1.181    | (30.00) | .185     | (4.70) | X                                  |                                 | X                                  | 79109-8766                      | X                                  |                                 | X |      |
| 36        | 1.338    | (34.00) | 1.425    | (36.19) | 1.260    | (32.00) | .185     | (4.70) | X                                  |                                 | X                                  | 79109-8767                      | X                                  |                                 | X |      |
| 38        | 1.417    | (36.00) | 1.504    | (38.19) | 1.338    | (34.00) | .185     | (4.70) | X                                  |                                 | X                                  | 79109-8768                      | X                                  |                                 | X |      |
| 40        | 1.496    | (38.00) | 1.582    | (40.19) | 1.417    | (36.00) | .185     | (4.70) | X                                  |                                 | X                                  | 79109-8769                      | X                                  |                                 | X |      |
| 42        | 1.575    | (40.00) | 1.661    | (42.19) | 1.496    | (38.00) | .185     | (4.70) | X                                  |                                 | X                                  | N.A.                            | X                                  |                                 | X | N.A. |
| 44        | 1.654    | (42.00) | 1.740    | (44.19) | 1.575    | (40.00) | .185     | (4.70) |                                    | 79109-7016                      | X                                  | N.A.                            | X                                  |                                 | X | N.A. |
| 46        | 1.732    | (44.00) | 1.818    | (46.19) | 1.654    | (42.00) | .185     | (4.70) | X                                  |                                 | X                                  | N.A.                            | X                                  |                                 | X | N.A. |
| 48        | 1.811    | (46.00) | 1.897    | (48.19) | 1.732    | (44.00) | .185     | (4.70) | X                                  |                                 | X                                  | N.A.                            | X                                  |                                 | X | N.A. |
| 50        | 1.890    | (48.00) | 1.976    | (50.19) | 1.811    | (46.00) | .185     | (4.70) |                                    | 79109-7015                      | X                                  | N.A.                            | X                                  |                                 | X | N.A. |

\*X INDICATES TOOLING NOT AVAILABLE

SPECIAL - PEG OPTION WITH CUSTOM T.F & VOIDED CIRCUITS (TIN)

| CKT. SIZE | ASSEMBLY                           |                                 | VOID LOCATION(S)<br>SEE SHEET 1 FOR CONVENTION |             | PLATING OPTION | DIM. "A" |         | DIM. "B" |         | DIM. "C" |         | DIM. "D" |        |
|-----------|------------------------------------|---------------------------------|--|-------------|----------------|----------|---------|----------|---------|----------|---------|----------|--------|
|           | ITEM NO. TUBE PACKED (WITHOUT CAP) | ITEM NO. TAPE PACKED (WITH CAP) | ROW  | CKT. NO.(S) |                | INCH     | MM      | INCH     | MM      | INCH     | MM      | INCH     | MM     |
| 48        | 79109-7011                         | X 79109-8385                    | ROW A  | 1, 24       | 5              | 1.811    | (46.00) | 1.897    | (48.19) | 1.732    | (44.00) | .185     | (4.70) |
| 42        | 79109-7012                         | X 79109-8386                    | ROW A  | 1, 21       | 5              | 1.575    | (40.00) | 1.661    | (42.19) | 1.496    | (38.00) | .185     | (4.70) |
| 20        | 79109-7013                         | 79109-8387                      | ROW A  | 1, 10       | 5              | .709     | (18.00) | .795     | (20.19) | .630     | (16.00) | .185     | (4.70) |
| 50        | 79109-7014                         | X 79109-8388                    | ROW B  | 13          | 5              | 1.890    | (48.00) | 1.976    | (50.19) | 1.811    | (46.00) | .185     | (4.70) |

|   |                               |  |  |                          |  |                                |  |                        |  |  |
|---|-------------------------------|--|--|--------------------------|--|--------------------------------|--|------------------------|--|--|
| UPDATE REVISION<br>EC NO: S2005-0714<br>DRWN:KSEE<br>CHKD:BLHOW<br>APPR:PTLIM<br>2005/10/19<br>2005/10/19<br>2005/11/07 | QUALITY SYMBOLS<br>▽=0<br>▽=0 | GENERAL TOLERANCES (UNLESS SPECIFIED)  |  | DIMENSION STYLE<br>IN/MM |  | SCALE<br>NTS                   | DESIGN UNITS<br>INCH   | THIRD ANGLE PROJECTION |  |  |
|   |                               | 4 PLACES ± --- ± ---<br>3 PLACES ± --- ± .010<br>2 PLACES ± 0.25 ± .015<br>1 PLACE ± 0.38 ± ---<br>ANGULAR ± 3 ° |  | DRAWN BY<br>RWB          |  | DATE<br>1991/07/18             | TITLE<br>SALES DRAWING<br>2MM DUAL ROW<br>VERTICAL RECEPTACLE, SMT |                        |  |  |
|   |                               | DRAFT WHERE APPLICABLE<br>MUST REMAIN<br>WITHIN DIMENSIONS   |  | APPROVED BY<br>WAZ       |  | DATE<br>1991/07/18             | MOLEX INCORPORATED   |                        |  |  |
|   |                               | SIZE<br>A3   |  | SEE TABLE                |  | DOCUMENT NO.<br>SDA-79109-**** |  | SHEET NO.<br>8 OF 9    |  |  |



# VOIDED CIRCUIT OPTION

## ASSEMBLIES WITHOUT PEGS

| CKT. SIZE | ASSEMBLY (WITHOUT CAP IN TUBE) |            | VOID LOCATION(S) SEE SHEET 1 FOR CONVENTION |             | PLATING OPTION | DIM. "A" |         | DIM. "B" |         | DIM. "D" |        | PLATING OPTION |
|-----------|--------------------------------|------------|---|-------------|----------------|----------|---------|----------|---------|----------|--------|----------------|
|           | ITEM NO.                       | ENG. NO.   | ROW   | CKT. NO.(S) |                | INCH     | MM      | INCH     | MM      | INCH     | MM     |                |
| 22        | 79109-5001                     | 79109-5001 | ROW A                                       | 2           | 1              | .787     | (20.00) | .874     | (22.19) | .183     | (4.65) | TIN/LEAD       |
| 6         | 79109-5002                     | 79109-5002 | ROW A                                       | 2           | 2              | .157     | (4.00)  | .244     | (6.19)  | .183     | (4.65) |                |
| 22        | 79109-5011                     | 79109-5011 | ROW A                                       | 2           | 4              | .787     | (20.00) | .874     | (22.19) | .183     | (4.65) | TIN            |
| 6         | 79109-5012                     | 79109-5012 | ROW A                                       | 2           | 5              | .157     | (4.00)  | .244     | (6.19)  | .183     | (4.65) |                |

## ASSEMBLIES WITH PEGS

| CKT. SIZE | ASSEMBLY (WITHOUT CAP IN TUBE) |            | VOID LOCATION(S) SEE SHEET 1 FOR CONVENTION |             | PLATING OPTION | DIM. "A" |         | DIM. "B" |         | DIM. "C" |         | DIM. "D" |        | PLATING OPTION |
|-----------|--------------------------------|------------|---|-------------|----------------|----------|---------|----------|---------|----------|---------|----------|--------|----------------|
|           | ITEM NO.                       | ENG. NO.   | ROW   | CKT. NO.(S) |                | INCH     | MM      | INCH     | MM      | INCH     | MM      | INCH     | MM     |                |
| 48        | 79109-6001                     | 79109-6001 | ROW A                                       | 1, 24       | 2              | 1.811    | (46.00) | 1.897    | (48.19) | 1.732    | (44.00) | .183     | (4.65) | TIN/LEAD       |
| 44        | 79109-6002                     | 79109-6002 | ROW B                                       | 10          | 2              | 1.654    | (42.00) | 1.740    | (44.19) | 1.575    | (42.00) | .183     | (4.65) |                |
| 48        | 79109-6011                     | 79109-6011 | ROW A                                       | 1, 24       | 5              | 1.811    | (46.00) | 1.897    | (48.19) | 1.732    | (44.00) | .183     | (4.65) | TIN            |
| 44        | 79109-6012                     | 79109-6012 | ROW B                                       | 10          | 5              | 1.654    | (42.00) | 1.740    | (44.19) | 1.575    | (42.00) | .183     | (4.65) |                |

**NOTES:**

1. TERMINALS WILL BE PRESENT IN VOIDED LOCATIONS HOWEVER, PIN WINDOWS WILL BE CLOSED.
2. VOIDS CAN ONLY BE PRESENT IN ONE ROW OF A CONNECTOR.

|   |  |                               |                    |   |  |                          |  |                     |                      |   |  |                                |  |
|---|--|-------------------------------|--------------------|---|--|--------------------------|--|---------------------|----------------------|---|--|--------------------------------|--|
| UPDATE REVISION<br>EC NO: S2005-0714<br>DRWN:SEE<br>CHKD:BLW<br>APPR:PTL:IM | 2005/10/19<br>2005/10/19<br>2005/11/08 | QUALITY SYMBOLS<br>▽=0<br>◻=0 | DESCRIPTION<br>REV | GENERAL TOLERANCES (UNLESS SPECIFIED)                   |  | DIMENSION STYLE<br>IN/MM |  | SCALE<br>NTS        | DESIGN UNITS<br>INCH | THIRD ANGLE PROJECTION  |  |                                |  |
|   |  |                               |                    |   |  | DRAWN BY<br>RWB          |  | DATE<br>1991/07/18  |                      | SALES DRAWING<br>2MM DUAL ROW<br>VERTICAL RECEPTACLE, SMT<br>MOLEX INCORPORATED   |  |                                |  |
|   |  |                               |                    |   |  | CHECKED BY<br>JD         |  | DATE<br>1991/07/18  |                      |   |  |                                |  |
|   |  |                               |                    |   |  | APPROVED BY<br>WAZ       |  | DATE<br>1991/07/18  |                      | MATERIAL NO.  |  | DOCUMENT NO.<br>SDA-79109-**** |  |
|   |  |                               |                    | DRAFT WHERE APPLICABLE<br>MUST REMAIN WITHIN DIMENSIONS |  | SEE TABLE                |  | SHEET NO.<br>9 OF 9 |                      | THIS DRAWING CONTAINS INFORMATION THAT IS PROPRIETARY TO MOLEX INCORPORATED AND SHOULD NOT BE USED WITHOUT WRITTEN PERMISSION |  |                                |  |