

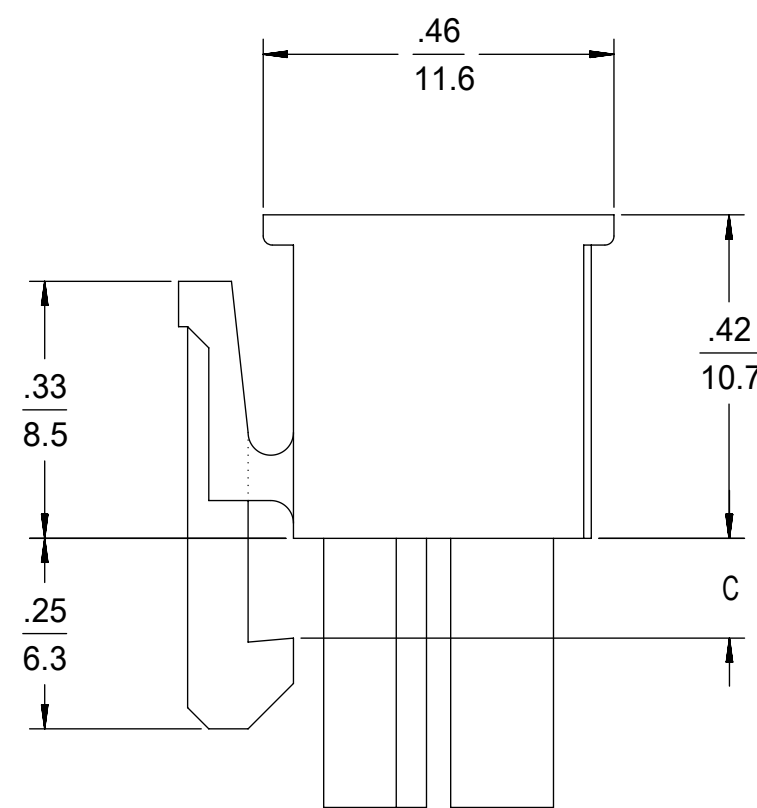
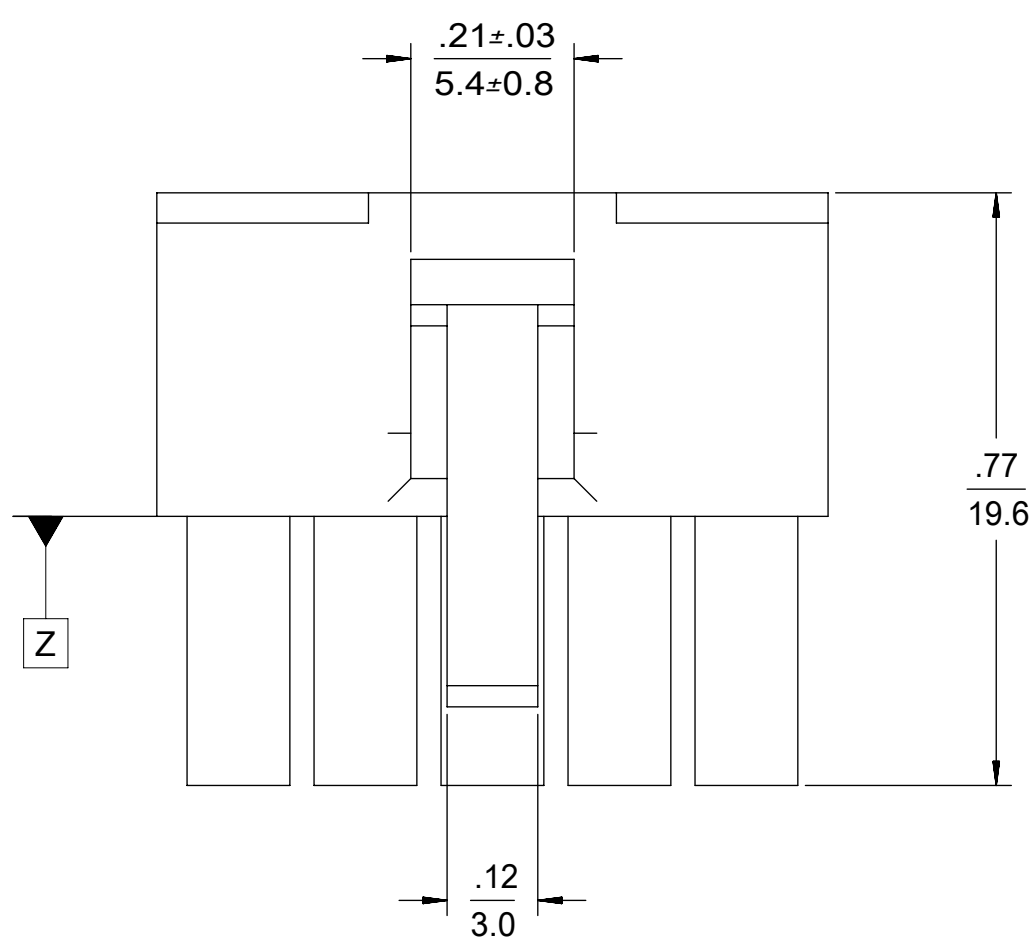
4 CKT SHOWN

NOTES:

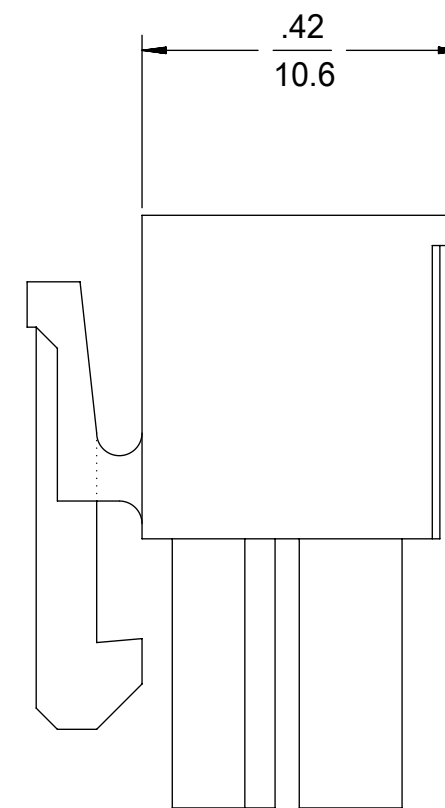
- 1) MATERIAL:
 "BLANK" = NYLON 6/6, UNFILLED UL94V-2, COLOR: NATURAL.
 "BL" = NYLON 6/6, UNFILLED UL94V-2, COLOR: BLACK.
 "BU" = NYLON 6/6, UNFILLED UL94V-2, COLOR: BLUE.
 "RE" = NYLON 6/6, UNFILLED UL94V-2, COLOR: RED.
 "YE" = NYLON 6/6, UNFILLED UL94V-2, COLOR: YELLOW
 "GRE" = NYLON 6/6, UNFILLED UL94V-2, COLOR: GREEN.
 "210" = NYLON 6/6, UNFILLED UL94V-0, COLOR: NATURAL.
 "400" = NYLON 6/6, UNFILLED UL94V-0, COLOR: BLACK.
- 2) FINISH: NOT APPLICABLE
- 3) PRODUCT SPECIFICATION: PS-5556-001
- 4) PACKAGING: BULK
- 5) PART MATES WITH MOLEX PLUG #5559 AND HEADERS #5566, #5569.
- 6) PART TO BE USED WITH MOLEX FEMALE TERMINAL #5556.
- 7) PART IS NOT DESIGNED FOR CURRENT SHARING.
- 8) CONNECTORS ARE NOT TO BE MATED OR UNMATED WHILE CIRCUITS ARE LIVE.
- 9) WIRES ARE TO BE DRESSED IN SUCH A MANNER TO ALLOW THE TERMINALS TO FLOAT FREELY IN THE POCKET.
- 10) PART CONFORMS TO CLASS "B" REQUIREMENTS OF COSMETIC SPECIFICATION PS-45499-002 WITH THE EXCEPTION OF DISCOLORATION, FLASH AND SINK MEET CLASS "C" REQUIREMENTS.

¹¹ TO BE MEASURED AT SURFACE [Z]

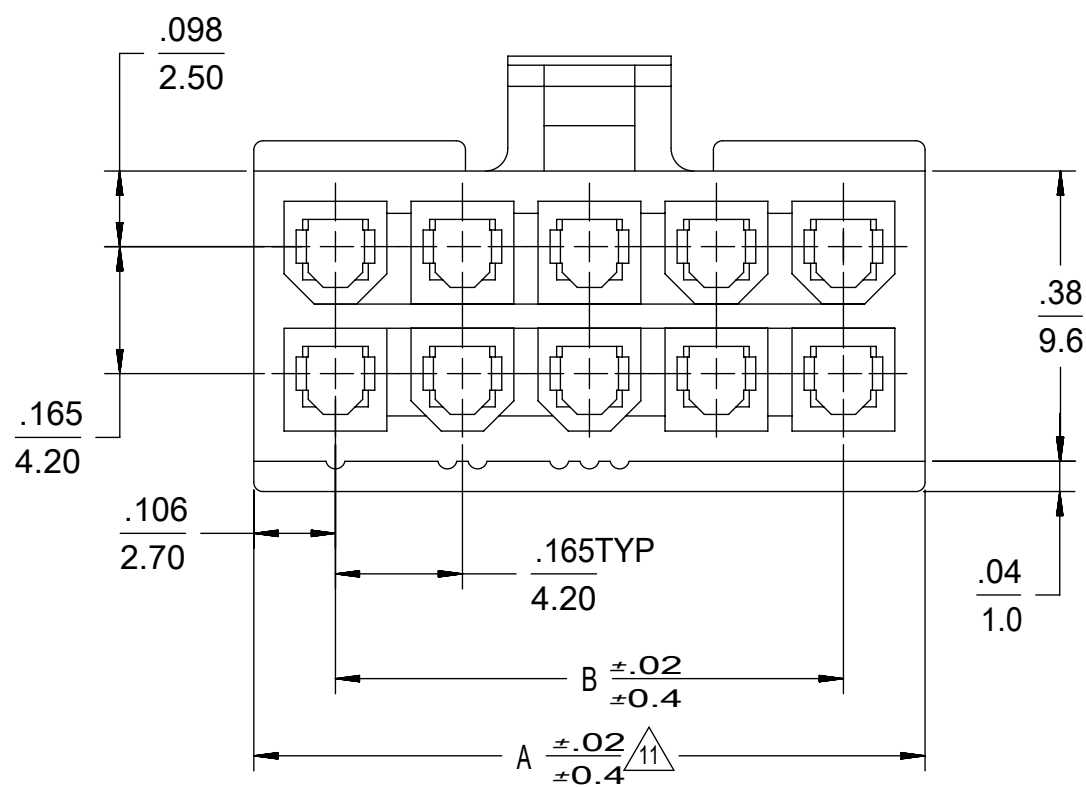
¹² TEXT ON PART IS FOR REFERENCE ONLY. TEXT AND TEXT LOCATION MAY VARY DEPENDING ON PART NUMBER AND/OR TOOL.



4-24 CKT

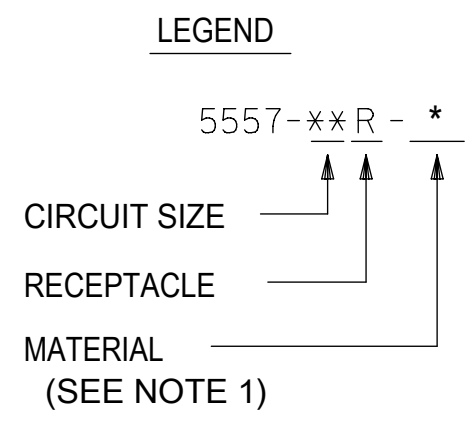
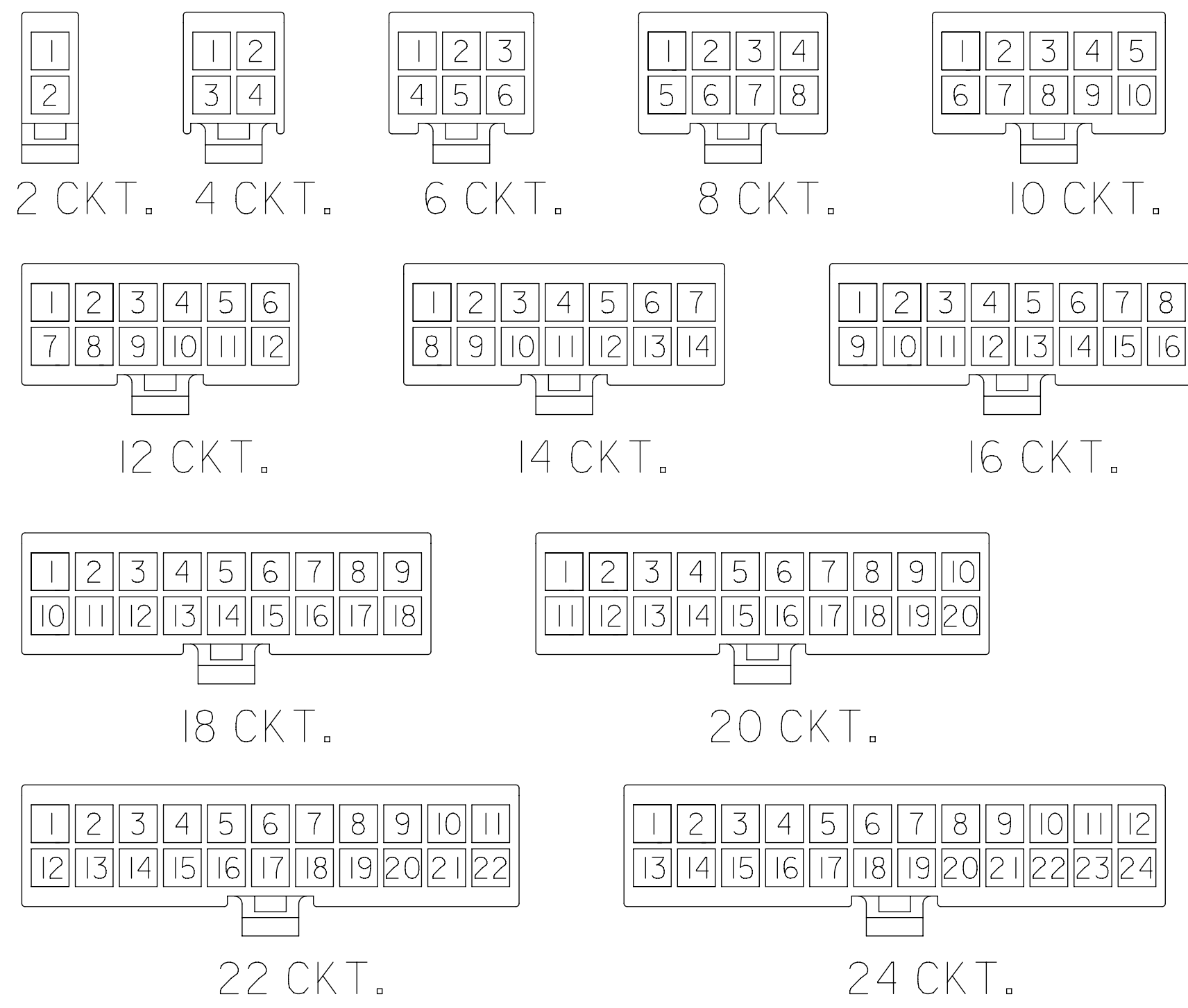


2 CKT ONLY



| | | | |
|---------------|---------------|-----------------|--------------|
| 2.031/(51.60) | 1.819/(46.20) | .142/ (3.60) | 24 |
| 1.866/(47.40) | 1.654/(42.00) | | 22 |
| 1.701/(43.20) | 1.488/(37.80) | | 20 |
| 1.535/(39.00) | 1.323/(33.60) | .129/ (3.30) | 18 |
| 1.370/(34.80) | 1.157/(29.40) | | 16 |
| 1.205/(30.60) | 0.992/(25.20) | | 14 |
| 1.039/(26.40) | 0.827/(21.00) | | 12 |
| 0.874/(22.20) | 0.661/(16.80) | | 10 |
| 0.709/(18.00) | 0.496/(12.60) | | 8 |
| 0.543/(13.80) | 0.331/(8.40) | | 6 |
| 0.378/(9.60) | 0.165/(4.20) | | 4 |
| 0.213/(5.40) | — | 2 | |
| A | B | C | NO. OF CKTS. |

| | | | | | |
|--|---|--------------------------|--|---|--|
| QUALITY SYMBOLS ▽ = 0 ▽ = 0 ▽ = 0 ▽ = 0 ▽ = 0 ▽ = 0 ▽ = 0 ▽ = 0 ▽ = 0 ▽ = 0 ▽ = 0 ▽ = 0 ▽ = 0 | THIS DRAWING CONTAINS INFORMATION THAT IS PROPRIETARY TO MOLEX ELECTRONIC TECHNOLOGIES, LLC AND SHOULD NOT BE USED WITHOUT WRITTEN PERMISSION | | | | molex MINIFIT JR RECEPTACLE HOUSING DUAL ROW 2-24 CKT |
| | OBS -225 P/N'S EC NO: 105893 DRWN: CSLAFTER CHKD: REV / APPR: FSMITH | 2016/03/25 2016/07/15 | GENERAL TOLERANCES (UNLESS SPECIFIED) DIMENSION UNITS: IN/MM SCALE: 4:1 DRWN BY: S.MOCHIZUKI DATE: '90/02/22 CHK'D BY: M.FUKUSHIMA DATE: '97/01/08 APPR BY: FSMITH DATE: 2011/02/21 DRAWING SIZE: C THIRD ANGLE PROJECTION | DIMENSION UNITS: IN/MM SCALE: 4:1 DRWN BY: S.MOCHIZUKI DATE: '90/02/22 CHK'D BY: M.FUKUSHIMA DATE: '97/01/08 APPR BY: FSMITH DATE: 2011/02/21 DRAWING SIZE: C THIRD ANGLE PROJECTION | |
| | DRAFT WHERE APPLICABLE MUST REMAIN WITHIN DIMENSIONS | | | | DOCUMENT NUMBER: SD-5557-003 DOC TYPE: PSD DOC PART: 000 SHEET NUMBER: 1 OF 2 |
| | RELEASE STATUS: 12 RELEASE DATE: 11 | | | | 2 3 4 5 |



**CIRCUIT SIZE LAYOUT
(NOT TO SCALE)**

| V-0 (BLACK) | | | | V-0 (NATURAL) | | | |
|--------------|--------------|--------------|--|---------------|--------------|--------------|--|
| 39-03-9242 | 5557-24R-400 | 24 | | 39-01-2245 | 5557-24R-210 | 24 | |
| * 39-03-9222 | 5557-22R-400 | 22 | | 39-01-2225 | 5557-22R-210 | 22 | |
| * 39-03-9202 | 5557-20R-400 | 20 | | 39-01-2205 | 5557-20R-210 | 20 | |
| 39-03-9182 | 5557-18R-400 | 18 | | 39-01-2185 | 5557-18R-210 | 18 | |
| 39-03-9162 | 5557-16R-400 | 16 | | 39-01-2165 | 5557-16R-210 | 16 | |
| 39-03-9142 | 5557-14R-400 | 14 | | 39-01-2145 | 5557-14R-210 | 14 | |
| 39-03-9122 | 5557-12R-400 | 12 | | 39-01-2125 | 5557-12R-210 | 12 | |
| 39-03-9102 | 5557-10R-400 | 10 | | 39-01-2105 | 5557-10R-210 | 10 | |
| 39-03-9082 | 5557-08R-400 | 8 | | 39-01-2085 | 5557-08R-210 | 8 | |
| 39-03-9062 | 5557-06R-400 | 6 | | 39-01-2065 | 5557-06R-210 | 6 | |
| 39-03-9042 | 5557-04R-400 | 4 | | 39-01-2045 | 5557-04R-210 | 4 | |
| 39-03-9022 | 5557-02R-400 | 2 | | 39-01-2025 | 5557-02R-210 | 2 | |
| EDP. NO. | ENG. NO. | NO. OF CKTS. | | EDP. NO. | ENG. NO. | NO. OF CKTS. | |

* = CONSULT FACTORY FOR AVAILABILITY.

| V-2 (BLUE) | | | V-2 (GREEN) | | | V-2 (YELLOW) | | | V-2 (RED) | | | V-2 (BLACK) | | | V-2 (NATURAL) | | | | |
|------------|------------|--------------|-------------|------------|--------------|--------------|------------|-------------|-------------|--------------|-------------|--------------|-------------|--------------|---------------|------------|------------|--------------|---|
| | | 24 | | | 24 | | | 24 | - | - | 24 | * 39-01-3245 | 5557-24R-BL | 24 | 39-01-2240 | 5557-24R | 24 | | |
| | | 22 | | | 22 | | | 22 | - | - | 22 | 39-01-3225 | 5557-22R-BL | 22 | 39-01-2220 | 5557-22R | 22 | | |
| | | 20 | | | 20 | | | 20 | - | - | 20 | 39-01-3205 | 5557-20R-BL | 20 | 39-01-2200 | 5557-20R | 20 | | |
| | | 18 | | | 18 | | | 18 | - | - | 18 | * 39-01-3185 | 5557-18R-BL | 18 | 39-01-2180 | 5557-18R | 18 | | |
| | | 16 | | | 16 | | | 16 | - | - | 16 | * 39-01-3165 | 5557-16R-BL | 16 | 39-01-2160 | 5557-16R | 16 | | |
| | | 14 | | | 14 | | | 14 | - | - | 14 | 39-01-3145 | 5557-14R-BL | 14 | 39-01-2140 | 5557-14R | 14 | | |
| | | 12 | | | 12 | | | 12 | - | - | 12 | 39-01-3125 | 5557-12R-BL | 12 | 39-01-2120 | 5557-12R | 12 | | |
| * | 39-02-7108 | 5557-10R-BU | 10 | | 10 | | | 10 | * | 39-02-8100 | 5557-10R-RE | 10 | 39-01-3105 | 5557-10R-BL | 10 | 39-01-2100 | 5557-10R | 10 | |
| | | 8 | | | 8 | | | 8 | - | - | 8 | 39-01-3085 | 5557-08R-BL | 8 | 39-01-2080 | 5557-08R | 8 | | |
| | | 6 | * | 39-02-7069 | 5557-06R-GRE | 6 | * | 39-02-8061 | 5557-06R-YE | 6 | - | 39-01-3065 | 5557-06R-BL | 6 | 39-01-2060 | 5557-06R | 6 | | |
| | | 4 | | | 4 | * | 39-02-8041 | 5557-04R-YE | 4 | * | 39-02-8040 | 5557-04R-RE | 4 | 39-01-3045 | 5557-04R-BL | 4 | 39-01-2040 | 5557-04R | 4 |
| | | 2 | * | 39-02-7029 | 5557-02R-GRE | 2 | * | 39-02-8021 | 5557-02R-YE | 2 | - | 39-01-3025 | 5557-02R-BL | 2 | 39-01-2020 | 5557-02R | 2 | | |
| EDP. NO. | ENG. NO. | NO. OF CKTS. | | EDP. NO. | ENG. NO. | NO. OF CKTS. | | EDP. NO. | ENG. NO. | NO. OF CKTS. | | EDP. NO. | ENG. NO. | NO. OF CKTS. | | EDP. NO. | ENG. NO. | NO. OF CKTS. | |

THIS DRAWING CONTAINS INFORMATION THAT IS PROPRIETARY TO MOLEX ELECTRONIC TECHNOLOGIES, LLC AND SHOULD NOT BE USED WITHOUT WRITTEN PERMISSION

QUALITY SYMBOLS: □ = 0, ▽ = 0, ▽ = 0, ▽ = 0, ▽ = 0, ▽ = 0, ▽ = 0, ▽ = 0, ▽ = 0, ▽ = 0

DRN: CSLAFTER
CHKD:
APPR: FSMITH

GENERAL TOLERANCES (UNLESS SPECIFIED)

| PLACES | MM | INCH |
|----------|--------|---------|
| 4 PLACES | ± | ± |
| 3 PLACES | ± | ± 0.01 |
| 2 PLACES | ± 0.25 | ± 0.015 |
| 1 PLACES | ± 0.38 | ± |
| 0 PLACES | ± | ± |

ANGULAR TOL = 0.5

DRAFT WHERE APPLICABLE MUST REMAIN WITHIN DIMENSIONS

DIMENSION UNITS: IN/MM, SCALE: 4:1

DRWN BY: S.MOCHIZUKI, DATE: '90/02/22

CHK'D BY: M.FUKUSHIMA, DATE: '97/01/08

APPR BY: FSMITH, DATE: 2011/02/21

DRAWING SIZE: C, THIRD ANGLE PROJECTION

molex

MINIFIT JR RECEPTACLE HOUSING DUAL ROW 2-24 CKT

PRODUCT CUSTOMER DRAWING

SERIES: 5557, MATERIAL NUMBER: SEE CHART, CUSTOMER: GENERAL MARKET

DOCUMENT NUMBER: SD-5557-003, DOC TYPE: PSD, DOC PART: 000, SHEET NUMBER: 2 OF 2