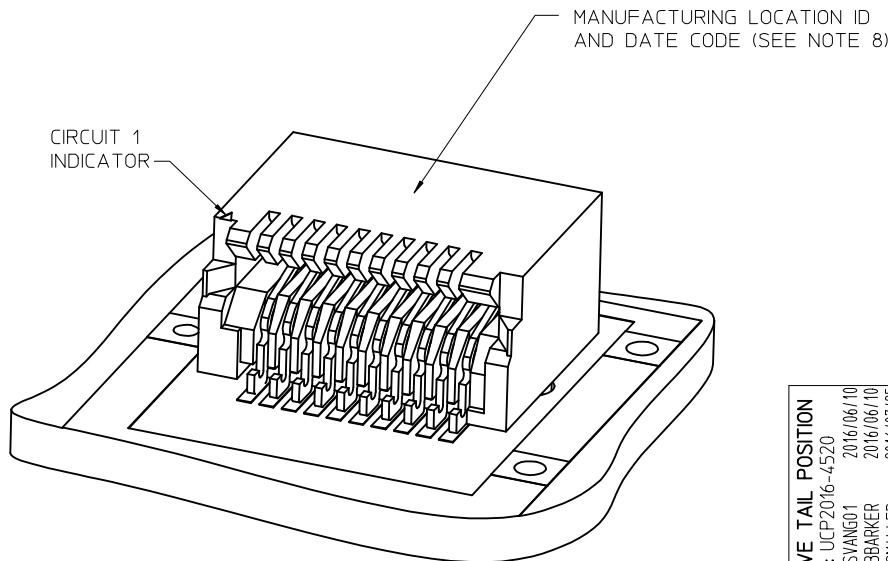


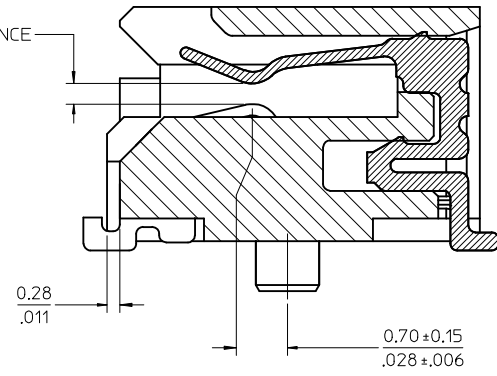
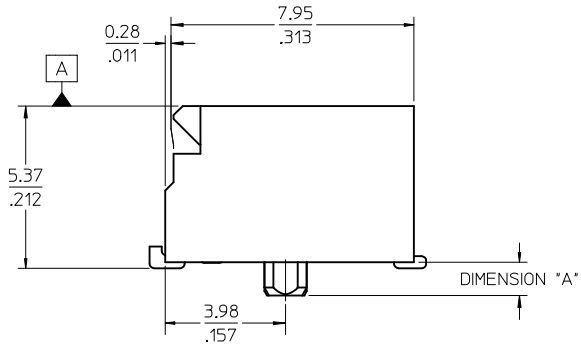
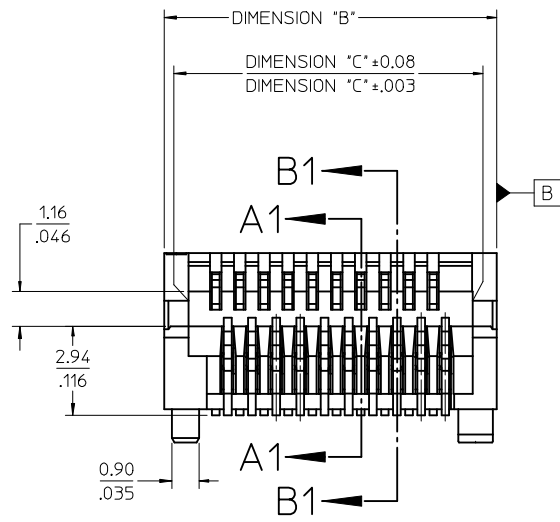
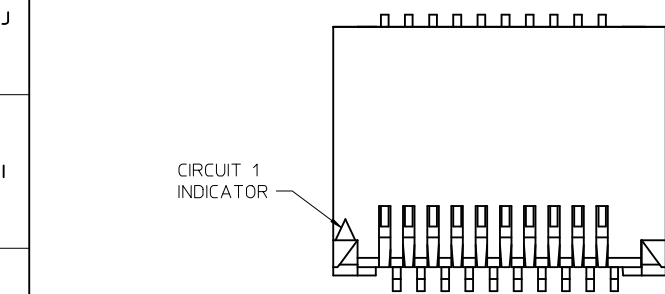
CKT SIZE	PART NUMBER	TOOLED	DESCRIPTION	DIMENSIONS				MULTI-SOURCE AGREEMENT	CIRCUIT BOARD LAYOUT
				"A"	"B"	"C"	"D"		
20	74441-0001	YES	PLATED PER NOTE 2	1.10/.043	11.00/.433	9.40/.370	9.60/.378	SFP	SEE SHEET 3
	74441-0004	NO*	PLATED PER NOTE 2	0.76/.030					
	74441-0010	YES	PLATED PER NOTE 3	1.10/.043					
	74441-0014	NO*	PLATED PER NOTE 3	0.76/.030					
	74441-0031	YES	PLATED PER NOTE 4	1.10/.043					
30	74441-0007	YES	PLATED PER NOTE 2	1.10/.043	15.00/.591	13.40/.528	13.60/.535	XFP	SEE SHEET 4
	74441-0017	YES	PLATED PER NOTE 3	1.10/.043					
	74441-0037	YES	PLATED PER NOTE 4	1.10/.043					
40	74441-0005	YES	PLATED PER NOTE 2	1.10/.043	19.00/.748	17.40/.685	17.60/.693		SEE SHEET 5
	74441-0015	YES	PLATED PER NOTE 3	1.10/.043					
	74441-0035	YES	PLATED PER NOTE 4	1.10/.043					
50	74441-0008	YES	PLATED PER NOTE 2	1.10/.043	23.00/.906	21.40/.843	21.60/.850		SEE SHEET 6
	74441-0018	YES	PLATED PER NOTE 3	1.10/.043					
	74441-0038	YES	PLATED PER NOTE 5	1.10/.043					
70	74441-0003	YES	PLATED PER NOTE 2	1.10/.043	31.00/1.220	29.40/1.517	29.60/1.165	XENPAK XPAK X2	SEE SHEET 7
	74441-0013	YES	PLATED PER NOTE 3	1.10/.043					
	74441-0033	YES	PLATED PER NOTE 4	1.10/.043					

NOTES

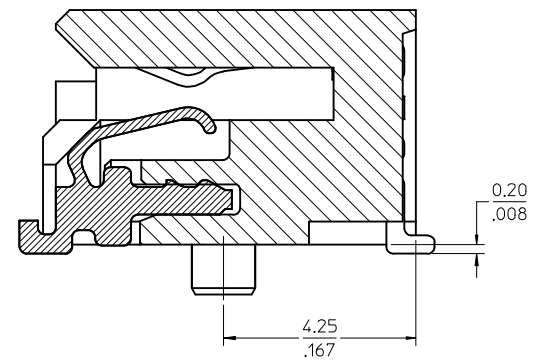
- MATERIAL:
HOUSING - HIGH TEMPERATURE THERMOPLASTIC GLASS FILLED, UL 94V-0, BLACK
TERMINALS - COPPER ALLOY
- PLATING (SEE TABLE):
CONTACT AREA - 0.38 MICROMETER MINIMUM GOLD OVER NICKEL
SOLDER FOOT AREA - 2.54 MICROMETER MINIMUM TIN OVER NICKEL
- PLATING (SEE TABLE):
CONTACT AREA - 0.76 MICROMETER MINIMUM GOLD OVER NICKEL
SOLDER AREA - 2.54 MICROMETER MINIMUM TIN OVER NICKEL
- PLATING (SEE TABLE):
CONTACT AREA - 0.76 MICROMETER MINIMUM GOLD OVER
2.54 MICROMETERS MINIMUM NICKEL.
SOLDER AREA: GOLD FLASH OVER NICKEL.
- PLATING (SEE TABLE):
CONTACT AREA - 0.38 MICROMETER MINIMUM GOLD OVER NICKEL,
SOLDER AREA: GOLD FLASH OVER NICKEL.
- SOLDER FEET COPLANAR WITHIN 0.10/.004 FOR 20, 30 AND 40 CIRCUIT CONNECTORS,
WITHIN 0.15/.006 FOR 50 AND 70 CIRCUIT CONNECTORS
- * CONTACT PLANT FOR MORE INFORMATION
- DATE CODE: 4 DIGIT (3 DIGIT DAY, 1 DIGIT YEAR)
- THE CIRCUIT 1 INDICATOR MAY VARY IN SIZE AND APPEARANCE.



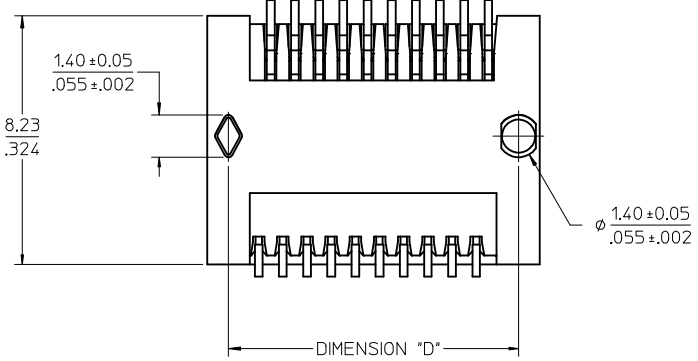
REMOVE TAIL POSITION IEC NO: UCP2016-4520 DRWNSVANG01 2016/06/10 CHKD:BBARKER 2016/06/10 APPR:SMILLER 2016/07/25	QUALITY SYMBOLS	GENERAL TOLERANCES (UNLESS SPECIFIED)	DIMENSION STYLE	SCALE	DESIGN UNITS	THIRD ANGLE PROJECTION
	$\nabla = 0$ $\nabla = 0$ $\nabla = 0$	mm INCH	MM/IN	1:1	METRIC	
		4 PLACES ± --- ± --- 3 PLACES ± --- ± .005 2 PLACES ± 0.13 ± .010 1 PLACE ± 0.25 ± --- 0 PLACE ± ±	DRAWN BY DATE HAVERY 00/04/06 CHECKED BY DATE KSWEENEY 00/04/06 APPROVED BY DATE MBANAKIS 00/04/06	TITLE	SALES ASSEMBLY Z AXIS PLUGGABLE PCB CONNECTOR	
	ANGULAR ±1/2°	MATERIAL NO.	DOCUMENT NO.	SEE TABLE SD-74441-001		SHEET NO. 1 OF 7
Y	DESCRIPTION	DRAFT WHERE APPLICABLE MUST REMAIN WITHIN DIMENSIONS				
THIS DRAWING CONTAINS INFORMATION THAT IS PROPRIETARY TO MOLEX INCORPORATED AND SHOULD NOT BE USED WITHOUT WRITTEN PERMISSION						



SECTION A1-A1
SCALE 12:1



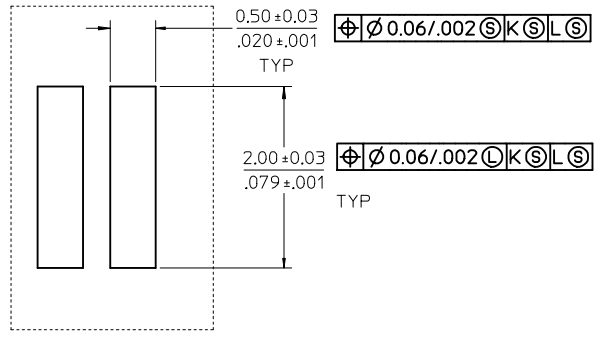
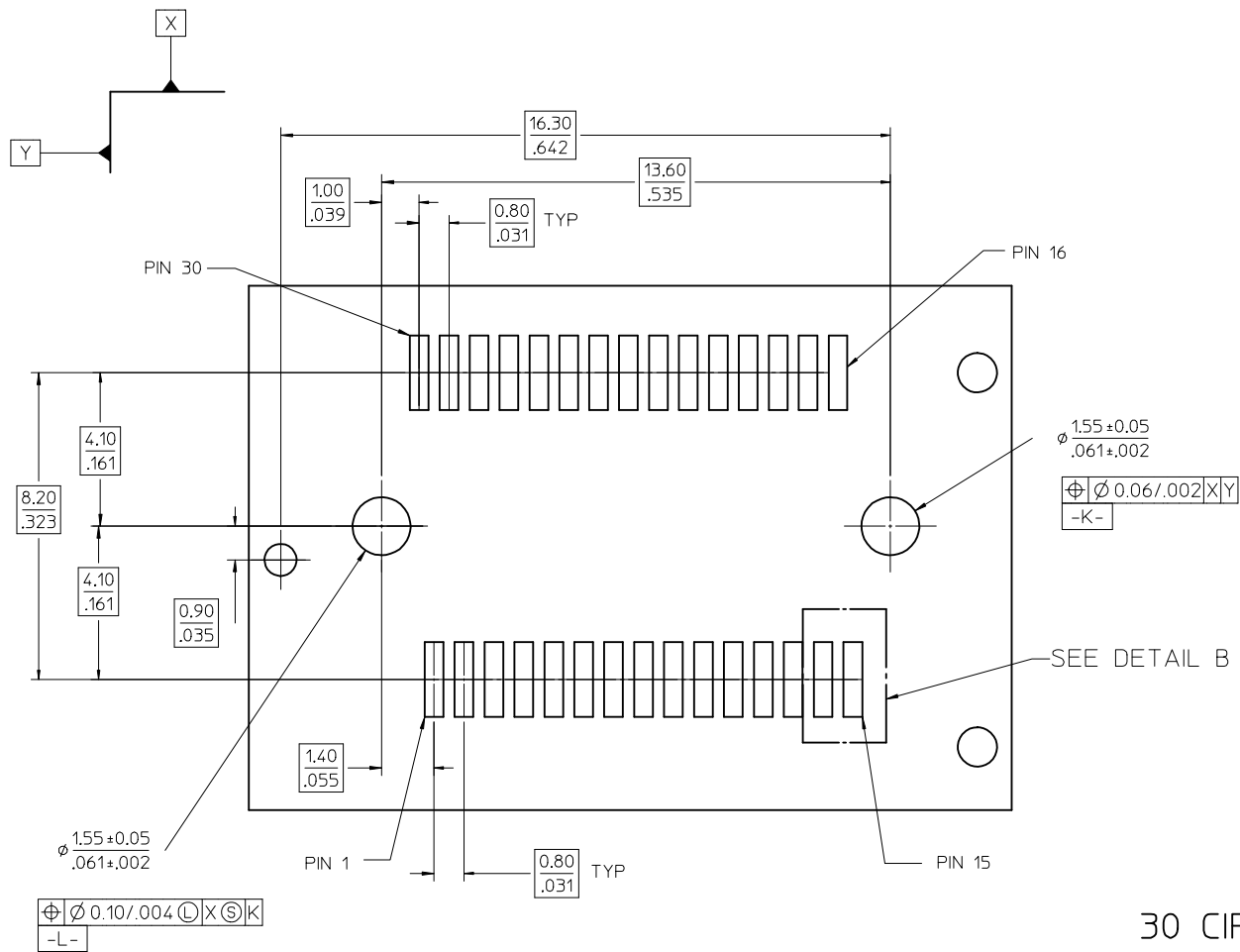
SECTION B1-B1
SCALE 12:1



SEE SHEET 1	EC NO: UCP2016-4520	2016/06/10
	DRWNS:YANG01	2016/06/10
	CHKD:BBARKER	2016/06/10
	APPR:SMILLER	2016/07/25
REV	DESCRIPTION	
Y		

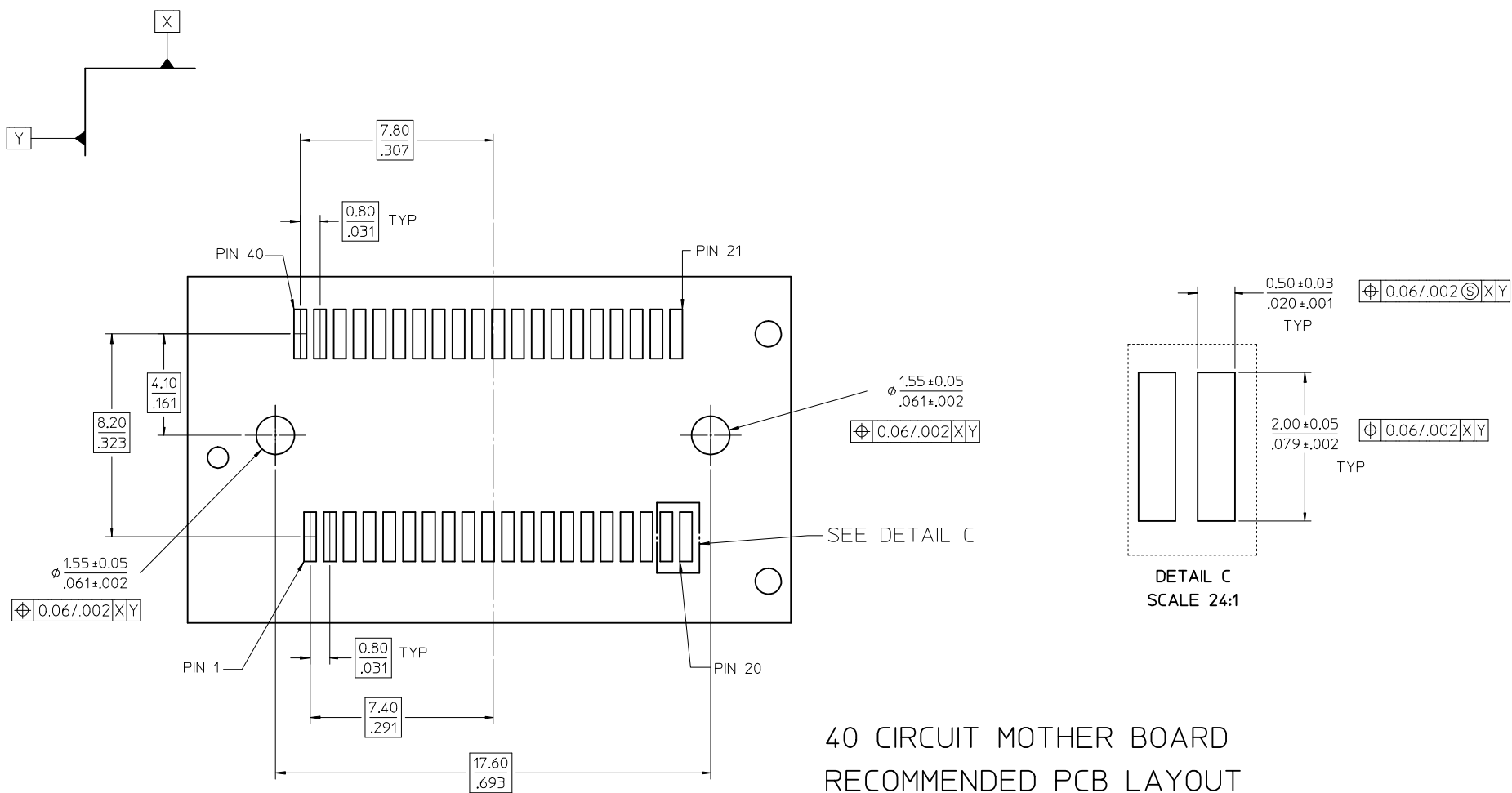
QUALITY SYMBOLS	▽=0	
	▽=0	
	▽=0	
	▽=0	
	▽=0	
GENERAL TOLERANCES (UNLESS SPECIFIED)		
	mm	INCH
4 PLACES	± ---	± ---
3 PLACES	± ---	± .005
2 PLACES	± 0.13	± .010
1 PLACE	± 0.25	± ---
0 PLACE	±	±
ANGULAR ±1/2°		
DRAFT WHERE APPLICABLE MUST REMAIN WITHIN DIMENSIONS		

DIMENSION STYLE		SCALE		DESIGN UNITS		THIRD ANGLE PROJECTION	
MM/IN		6:1		METRIC			
DRAWN BY	DATE	TITLE				SALES ASSEMBLY Z AXIS PLUGGABLE PCB CONNECTOR	
HAVERY	00/04/06	CHECKED BY				DATE	
		KSWEENEY				00/04/06	
APPROVED BY	DATE	MATERIAL NO.				DOCUMENT NO.	
MBANAKIS	00/04/06	SEE TBL, SHT 1				SD-74441-001	
SIZE		THIS DRAWING CONTAINS INFORMATION THAT IS PROPRIETARY TO MOLEX INCORPORATED AND SHOULD NOT BE USED WITHOUT WRITTEN PERMISSION				SHEET NO. 2 OF 7	



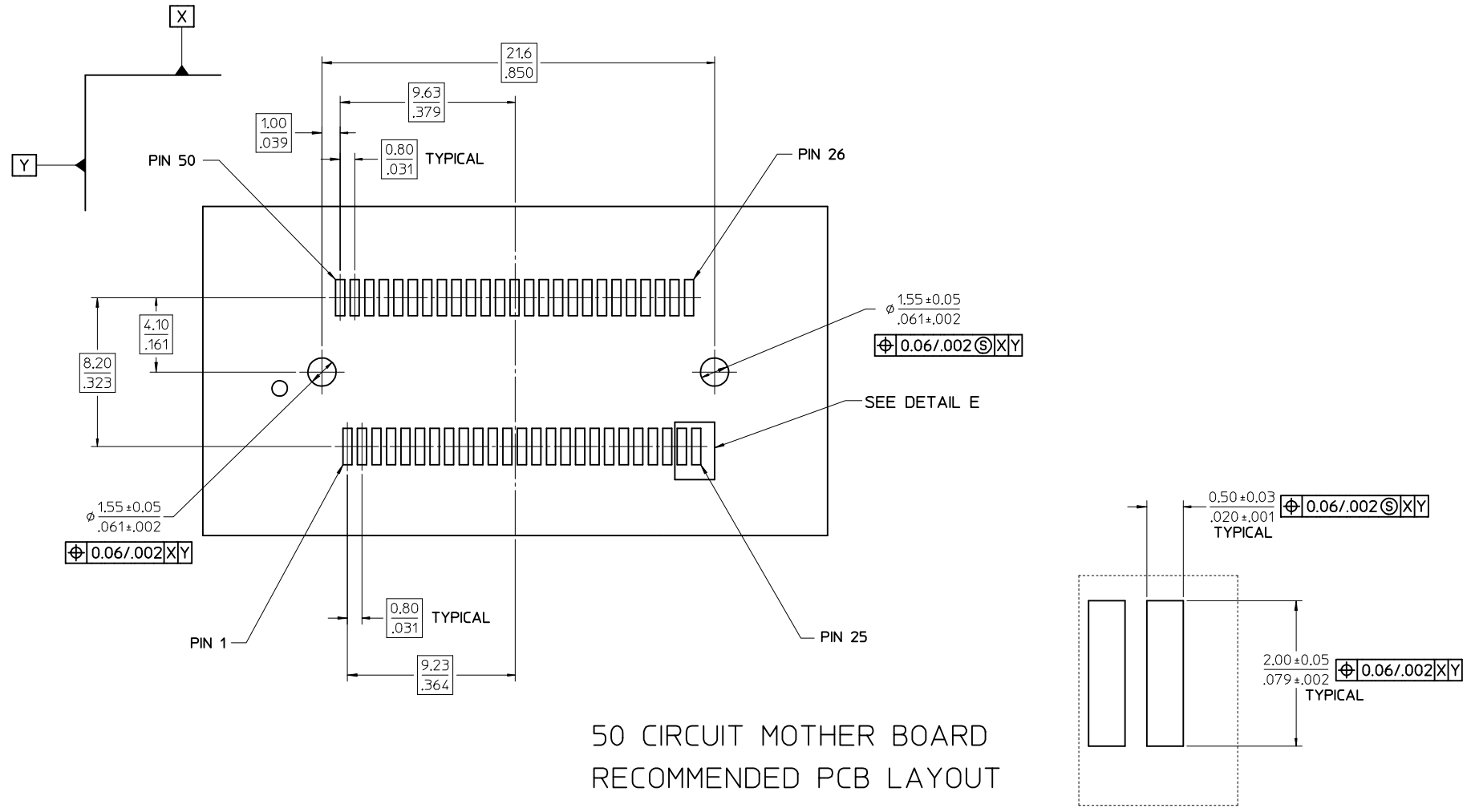
30 CIRCUIT MOTHER BOARD
RECOMMENDED PCB LAYOUT

SEE SHEET 1 EC NO: UCP2016-4520 DRWNS:VANG01 2016/06/10 CHKD:BBARKER 2016/06/10 APPR:SMILLER 2016/07/25	QUALITY SYMBOLS	GENERAL TOLERANCES (UNLESS SPECIFIED)		DIMENSION STYLE	SCALE	DESIGN UNITS	THIRD ANGLE PROJECTION	
	▽=0	mm	INCH	MM/IN	6:1	METRIC	☉	
	▽=0	4 PLACES ± ---	± ---	DRAWN BY DATE	TITLE			
	▽=0	3 PLACES ± ---	± .005	HAVERY 00/04/06	SALES ASSEMBLY			
		2 PLACES ± 0.13	± .010	CHECKED BY DATE	Z AXIS PLUGGABLE			
		1 PLACE ± 0.25	± ---	KSWEENEY 00/04/06	PCB CONNECTOR			
		0 PLACE ±	±	APPROVED BY DATE	molex			
				MBANAK IS 00/04/06	SD-74441-001			
		ANGULAR ±1/2°		MATERIAL NO.	DOCUMENT NO.	SHEET NO.		
		DRAFT WHERE APPLICABLE MUST REMAIN WITHIN DIMENSIONS		SEE TBL, SHT 1		4 OF 7		
		THIS DRAWING CONTAINS INFORMATION THAT IS PROPRIETARY TO MOLEX INCORPORATED AND SHOULD NOT BE USED WITHOUT WRITTEN PERMISSION						

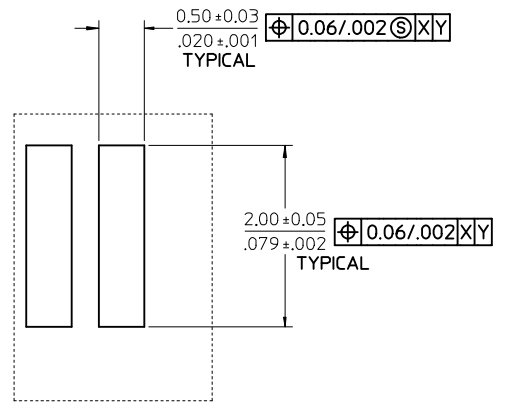


40 CIRCUIT MOTHER BOARD
RECOMMENDED PCB LAYOUT

SEE SHEET 1 EC NO: UCP2016-4520 DRWNS:VANG01 2016/06/10 CHKD:BBARKER 2016/06/10 APPR:SMILLER 2016/07/25 Y	QUALITY SYMBOLS ▽=0 ▽=0 ▽=0	GENERAL TOLERANCES (UNLESS SPECIFIED) <table border="1"> <thead> <tr> <th></th> <th>mm</th> <th>INCH</th> </tr> </thead> <tbody> <tr> <td>4 PLACES</td> <td>± .---</td> <td>± .---</td> </tr> <tr> <td>3 PLACES</td> <td>± .---</td> <td>± .005</td> </tr> <tr> <td>2 PLACES</td> <td>± 0.13</td> <td>± .010</td> </tr> <tr> <td>1 PLACE</td> <td>± 0.25</td> <td>± .---</td> </tr> <tr> <td>0 PLACE</td> <td>±</td> <td>±</td> </tr> </tbody> </table>		mm	INCH	4 PLACES	± .---	± .---	3 PLACES	± .---	± .005	2 PLACES	± 0.13	± .010	1 PLACE	± 0.25	± .---	0 PLACE	±	±	DIMENSION STYLE MM/IN DRAWN BY: HAVERY DATE: 00/04/06 CHECKED BY: KSWEENEY DATE: 00/04/06 APPROVED BY: MBANAKIS DATE: 00/04/06	SCALE 6:1 TITLE SALES ASSEMBLY Z AXIS PLUGGABLE PCB CONNECTOR	DESIGN UNITS METRIC 	MATERIAL NO. SEE TBL, SHT 1	DOCUMENT NO. SD-74441-001	SHEET NO. 5 OF 7
		mm	INCH																							
	4 PLACES	± .---	± .---																							
	3 PLACES	± .---	± .005																							
2 PLACES	± 0.13	± .010																								
1 PLACE	± 0.25	± .---																								
0 PLACE	±	±																								
DESCRIPTION 40 CIRCUIT MOTHER BOARD	ANGULAR ±1/2° DRAFT WHERE APPLICABLE MUST REMAIN WITHIN DIMENSIONS	THIS DRAWING CONTAINS INFORMATION THAT IS PROPRIETARY TO MOLEX INCORPORATED AND SHOULD NOT BE USED WITHOUT WRITTEN PERMISSION																								

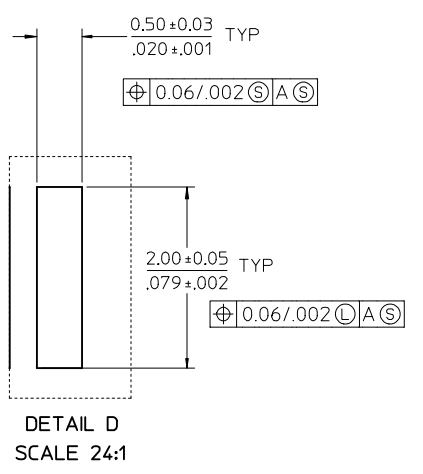
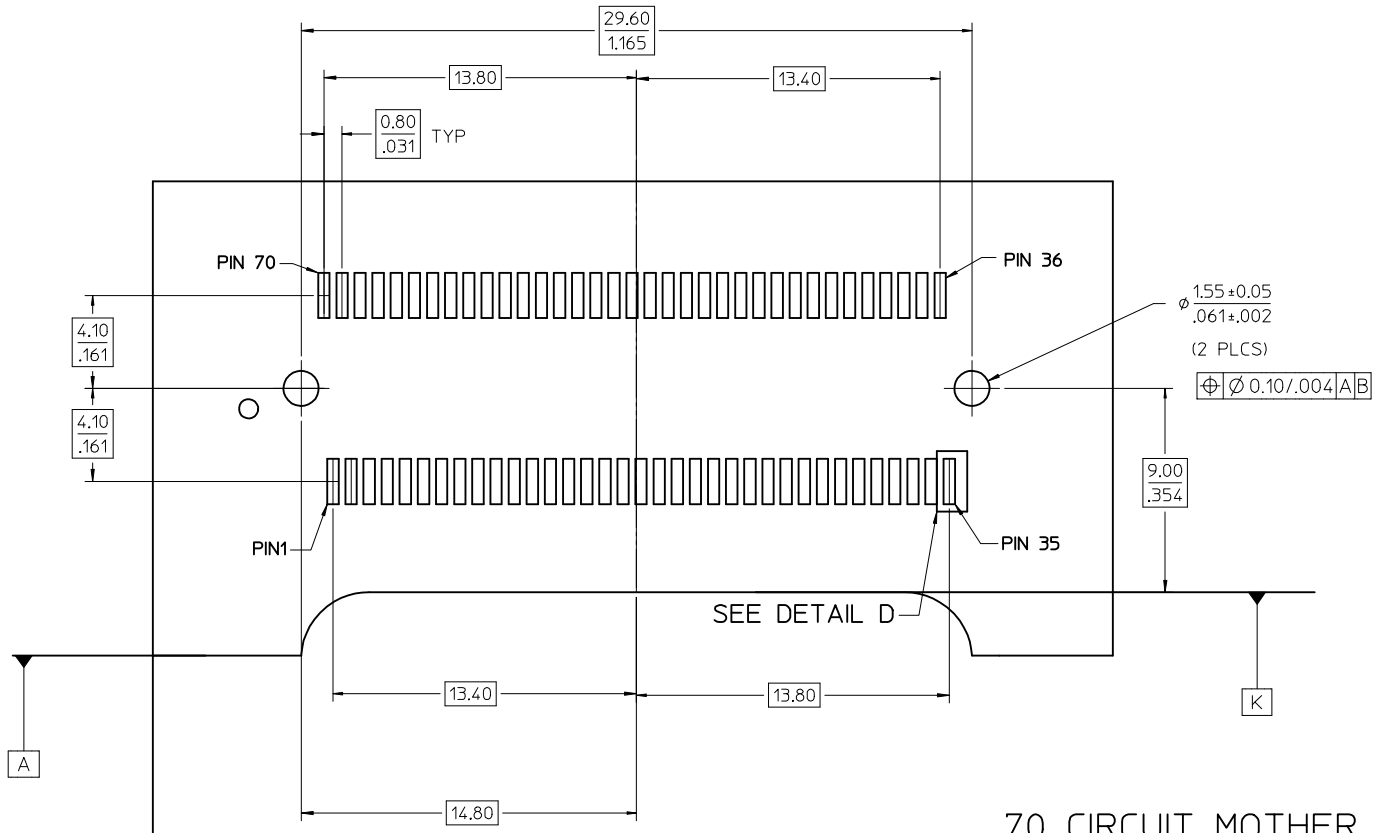


50 CIRCUIT MOTHER BOARD
RECOMMENDED PCB LAYOUT



DETAIL E
SCALE 24:1

SEE SHEET 1 IEC NO: UCP2016-4520 DRWNS:VANG01 2016/06/10 CHKD:BBARKER 2016/06/10 APPR:SMILLER 2016/07/25 Y	QUALITY SYMBOLS ▽=0 ▽=0 ▽=0	GENERAL TOLERANCES (UNLESS SPECIFIED) <table border="1"> <tr> <th></th> <th>mm</th> <th>INCH</th> </tr> <tr> <td>4 PLACES</td> <td>± .005</td> <td>± .0005</td> </tr> <tr> <td>3 PLACES</td> <td>± .010</td> <td>± .0010</td> </tr> <tr> <td>2 PLACES</td> <td>± 0.13</td> <td>± .010</td> </tr> <tr> <td>1 PLACE</td> <td>± 0.25</td> <td>± .010</td> </tr> <tr> <td>0 PLACE</td> <td>±</td> <td>±</td> </tr> </table>		mm	INCH	4 PLACES	± .005	± .0005	3 PLACES	± .010	± .0010	2 PLACES	± 0.13	± .010	1 PLACE	± 0.25	± .010	0 PLACE	±	±	DIMENSION STYLE MM/IN DRAWN BY: HAVERY DATE: 00/04/06 CHECKED BY: KSWEENEY DATE: 00/04/06 APPROVED BY: MBANAKIS DATE: 00/04/06	SCALE 6:1	DESIGN UNITS METRIC	THIRD ANGLE PROJECTION
		mm	INCH																					
	4 PLACES	± .005	± .0005																					
	3 PLACES	± .010	± .0010																					
2 PLACES	± 0.13	± .010																						
1 PLACE	± 0.25	± .010																						
0 PLACE	±	±																						
DRAFT WHERE APPLICABLE MUST REMAIN WITHIN DIMENSIONS		MATERIAL NO. SEE TBL, SHT 1	DOCUMENT NO. SD-74441-001		SHEET NO. 6 OF 7																			
THIS DRAWING CONTAINS INFORMATION THAT IS PROPRIETARY TO MOLEX INCORPORATED AND SHOULD NOT BE USED WITHOUT WRITTEN PERMISSION																								



70 CIRCUIT MOTHER BOARD
RECOMMENDED PCB LAYOUT

SEE SHEET 1 EC NO: UCP2016-4520 DRWNS:VANG01 2016/06/10 CHKD:BBARKER 2016/06/10 APPR:SMILLER 2016/07/25	QUALITY SYMBOLS	GENERAL TOLERANCES (UNLESS SPECIFIED)	DIMENSION STYLE	SCALE	DESIGN UNITS	THIRD ANGLE PROJECTION
	▽=0	mm INCH	MM/IN	6:1	METRIC	☉
	▽=0	4 PLACES ± --- ± ---	DRAWN BY DATE	TITLE		
	▽=0	3 PLACES ± --- ± .005	HAVERY 00/04/06	SALES ASSEMBLY Z AXIS PLUGGABLE PCB CONNECTOR		
▽=0	2 PLACES ± 0.13 ± .010	CHECKED BY DATE	molex			
	1 PLACE ± 0.25 ± ---	KSWEENEY 00/04/06	DOCUMENT NO.			
	0 PLACE ± ±	APPROVED BY DATE	SD-74441-001			
	ANGULAR ±1/2°	MBANAKIS 00/04/06	SHEET NO.			
	DRAFT WHERE APPLICABLE MUST REMAIN WITHIN DIMENSIONS	MATERIAL NO.	7 OF 7			
		SEE TBL, SHT 1	THIS DRAWING CONTAINS INFORMATION THAT IS PROPRIETARY TO MOLEX INCORPORATED AND SHOULD NOT BE USED WITHOUT WRITTEN PERMISSION			