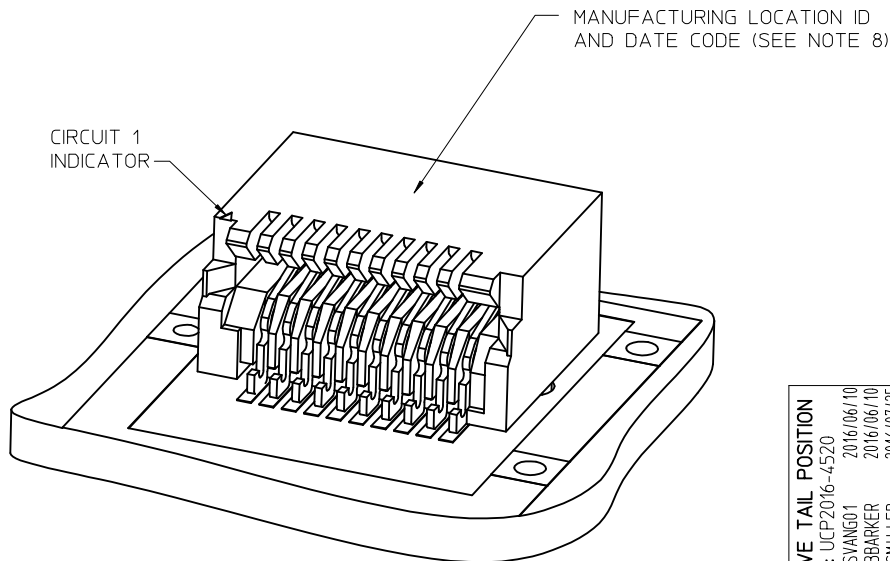


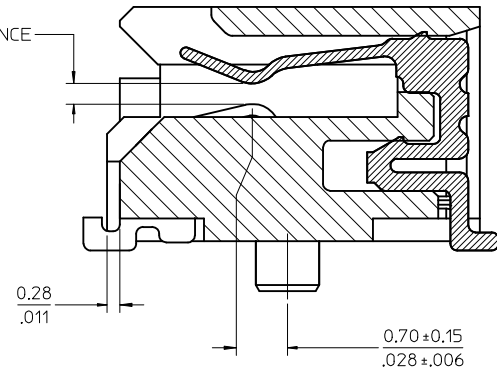
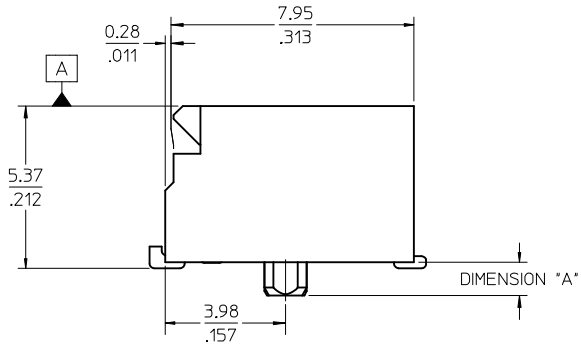
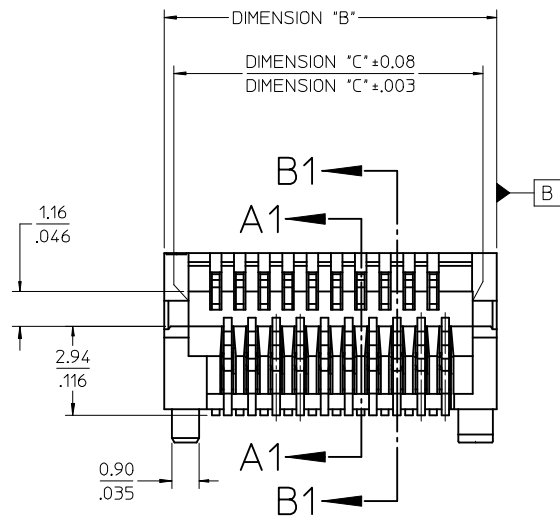
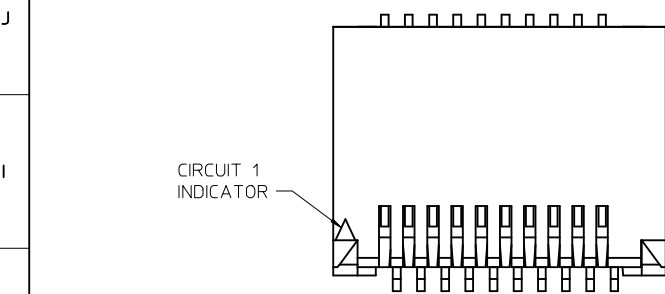
CKT SIZE	PART NUMBER	TOOLED	DESCRIPTION	DIMENSIONS				MULTI-SOURCE AGREEMENT	CIRCUIT BOARD LAYOUT
				"A"	"B"	"C"	"D"		
20	74441-0001	YES	PLATED PER NOTE 2	1.10/.043	11.00/.433	9.40/.370	9.60/.378	SFP	SEE SHEET 3
	74441-0004	NO*	PLATED PER NOTE 2	0.76/.030					
	74441-0010	YES	PLATED PER NOTE 3	1.10/.043					
	74441-0014	NO*	PLATED PER NOTE 3	0.76/.030					
	74441-0031	YES	PLATED PER NOTE 4	1.10/.043					
30	74441-0007	YES	PLATED PER NOTE 2	1.10/.043	15.00/.591	13.40/.528	13.60/.535	XFP	SEE SHEET 4
	74441-0017	YES	PLATED PER NOTE 3	1.10/.043					
	74441-0037	YES	PLATED PER NOTE 4	1.10/.043					
40	74441-0005	YES	PLATED PER NOTE 2	1.10/.043	19.00/.748	17.40/.685	17.60/.693		SEE SHEET 5
	74441-0015	YES	PLATED PER NOTE 3	1.10/.043					
	74441-0035	YES	PLATED PER NOTE 4	1.10/.043					
50	74441-0008	YES	PLATED PER NOTE 2	1.10/.043	23.00/.906	21.40/.843	21.60/.850		SEE SHEET 6
	74441-0018	YES	PLATED PER NOTE 3	1.10/.043					
	74441-0038	YES	PLATED PER NOTE 5	1.10/.043					
70	74441-0003	YES	PLATED PER NOTE 2	1.10/.043	31.00/1.220	29.40/1.517	29.60/1.165	XENPAK XPAK X2	SEE SHEET 7
	74441-0013	YES	PLATED PER NOTE 3	1.10/.043					
	74441-0033	YES	PLATED PER NOTE 4	1.10/.043					

NOTES

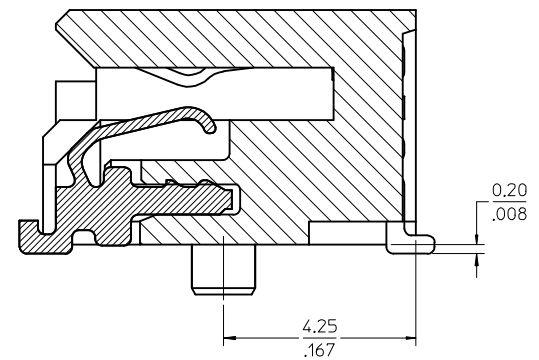
- MATERIAL:**
HOUSING - HIGH TEMPERATURE THERMOPLASTIC GLASS FILLED, UL 94V-0, BLACK
TERMINALS - COPPER ALLOY
- PLATING (SEE TABLE):**
CONTACT AREA - 0.38 MICROMETER MINIMUM GOLD OVER NICKEL
SOLDER FOOT AREA - 2.54 MICROMETER MINIMUM TIN OVER NICKEL
- PLATING (SEE TABLE):**
CONTACT AREA - 0.76 MICROMETER MINIMUM GOLD OVER NICKEL
SOLDER AREA - 2.54 MICROMETER MINIMUM TIN OVER NICKEL
- PLATING (SEE TABLE):**
CONTACT AREA - 0.76 MICROMETER MINIMUM GOLD OVER
2.54 MICROMETERS MINIMUM NICKEL.
SOLDER AREA: GOLD FLASH OVER NICKEL.
- PLATING (SEE TABLE):**
CONTACT AREA - 0.38 MICROMETER MINIMUM GOLD OVER NICKEL,
SOLDER AREA: GOLD FLASH OVER NICKEL.
- SOLDER FEET COPLANAR WITHIN 0.10/.004 FOR 20, 30 AND 40 CIRCUIT CONNECTORS,
WITHIN 0.15/.006 FOR 50 AND 70 CIRCUIT CONNECTORS**
- * CONTACT PLANT FOR MORE INFORMATION**
- DATE CODE: 4 DIGIT (3 DIGIT DAY, 1 DIGIT YEAR)**
- THE CIRCUIT 1 INDICATOR MAY VARY IN SIZE AND APPEARANCE.**



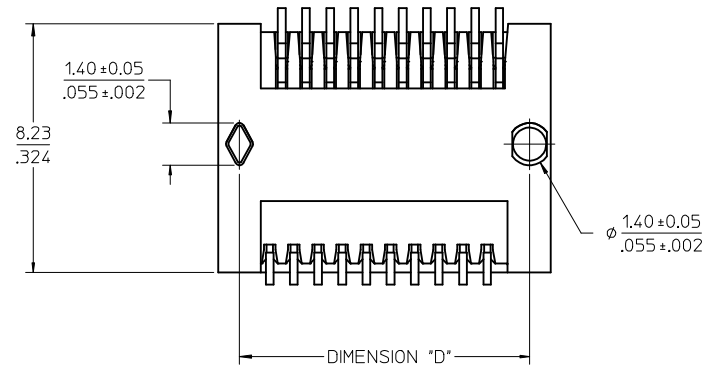
REMOVE TAIL POSITION IEC NO: UCP2016-4520 DRWNS:VANG01 2016/06/10 CHKD:BBARKER 2016/06/10 APPR:SMILLER 2016/07/25 REV Y	DESCRIPTION QUALITY SYMBOLS ▽=0 ▽=0 ▽=0	GENERAL TOLERANCES (UNLESS SPECIFIED)		DIMENSION STYLE MM/IN		SCALE 1:1	DESIGN UNITS METRIC	THIRD ANGLE PROJECTION			
		4 PLACES ± --- ± --- 3 PLACES ± --- ± .005 2 PLACES ± 0.13 ± .010 1 PLACE ± 0.25 ± --- 0 PLACE ± ±		DRAWN BY DATE HAVERY 00/04/06 CHECKED BY DATE KSWEENEY 00/04/06 APPROVED BY DATE MBANAKIS 00/04/06		TITLE SALES ASSEMBLY Z AXIS PLUGGABLE PCB CONNECTOR molex					
		ANGULAR ±1/2°		MATERIAL NO.		DOCUMENT NO.		SHEET NO.			
		DRAFT WHERE APPLICABLE MUST REMAIN WITHIN DIMENSIONS		SEE TABLE		SD-74441-001		1 OF 7			
THIS DRAWING CONTAINS INFORMATION THAT IS PROPRIETARY TO MOLEX INCORPORATED AND SHOULD NOT BE USED WITHOUT WRITTEN PERMISSION											



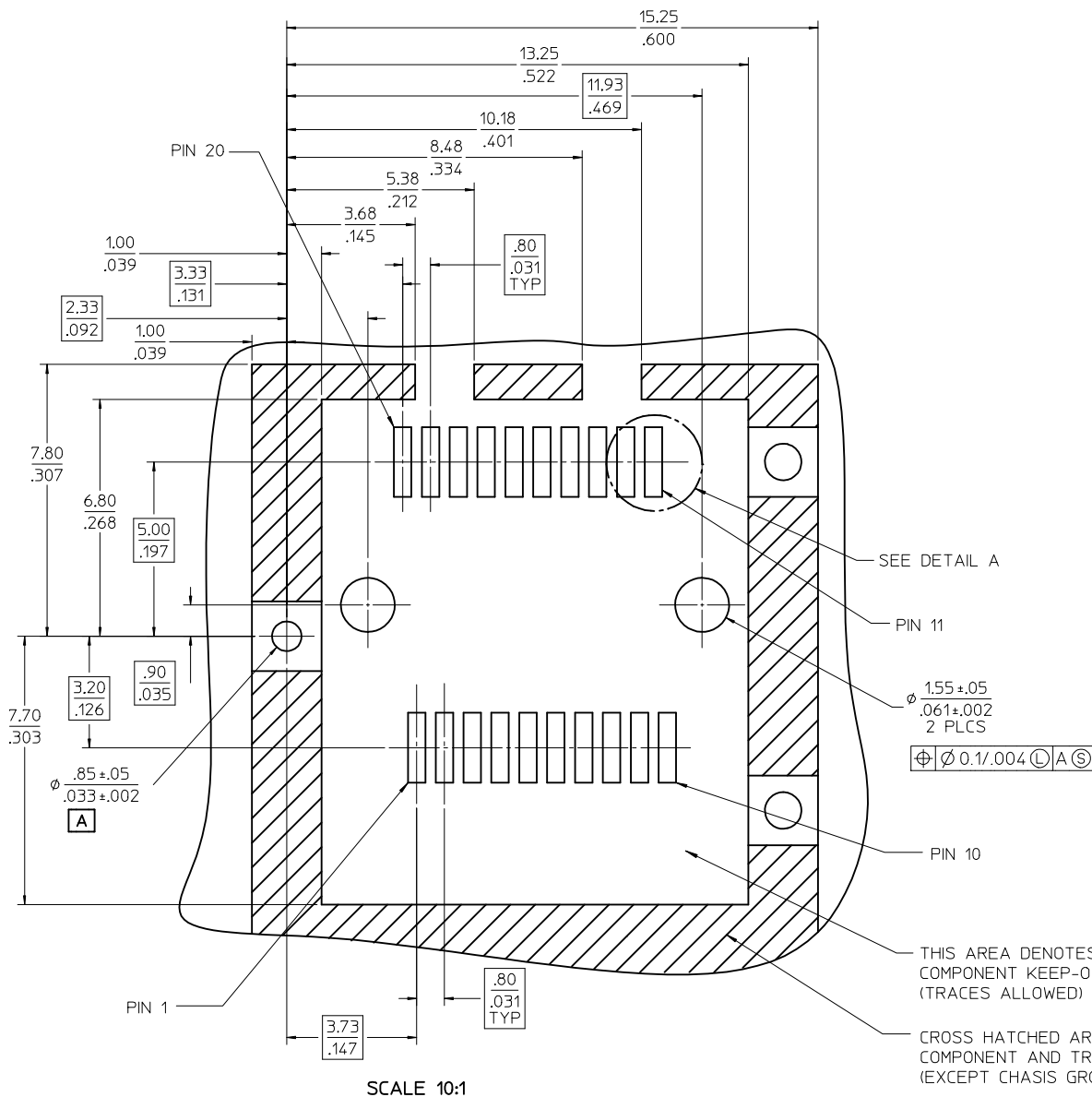
SECTION A1-A1
SCALE 12:1



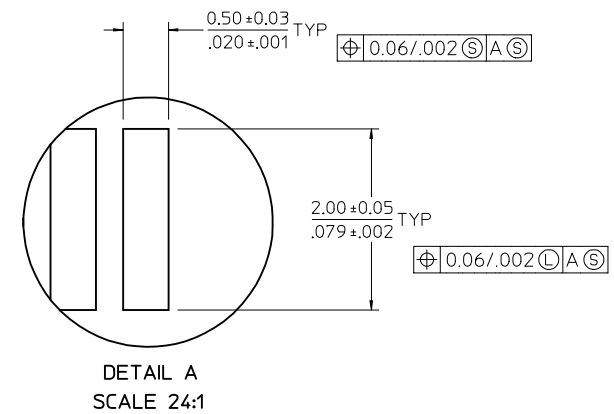
SECTION B1-B1
SCALE 12:1



SEE SHEET 1 EC NO: UCP2016-4520 DRW:VYANG01 2016/06/10 CHKD:BBARKER 2016/06/10 APPR:SMILLER 2016/07/25	QUALITY SYMBOLS ▽=0 ▽=0 ▽=0	GENERAL TOLERANCES (UNLESS SPECIFIED)		DIMENSION STYLE		SCALE	DESIGN UNITS	THIRD ANGLE PROJECTION	
		mm	INCH	MM/IN		6:1	METRIC		
REV: Y	DESCRIPTION	4 PLACES	± ---	± ---	DRAWN BY	DATE	SALES ASSEMBLY Z AXIS PLUGGABLE PCB CONNECTOR molex DOCUMENT NO. SD-74441-001 SHEET NO. 2 OF 7		
		3 PLACES	± ---	± .005	HAVERY	00/04/06			
		2 PLACES	± 0.13	± .010	CHECKED BY	DATE			
		1 PLACE	± 0.25	± ---	KSWEENEY	00/04/06			
		0 PLACE	±	±	APPROVED BY	DATE			
				MBANAKIS	00/04/06				
		ANGULAR ±1/2°		MATERIAL NO.					
		DRAFT WHERE APPLICABLE MUST REMAIN WITHIN DIMENSIONS		SEE TBL, SHT 1					
				SIZE C		THIS DRAWING CONTAINS INFORMATION THAT IS PROPRIETARY TO MOLEX INCORPORATED AND SHOULD NOT BE USED WITHOUT WRITTEN PERMISSION			



SCALE 10:1

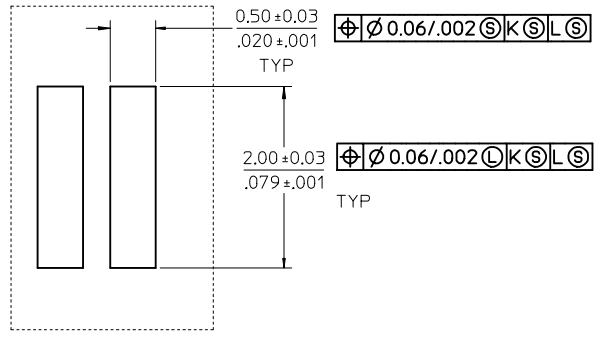
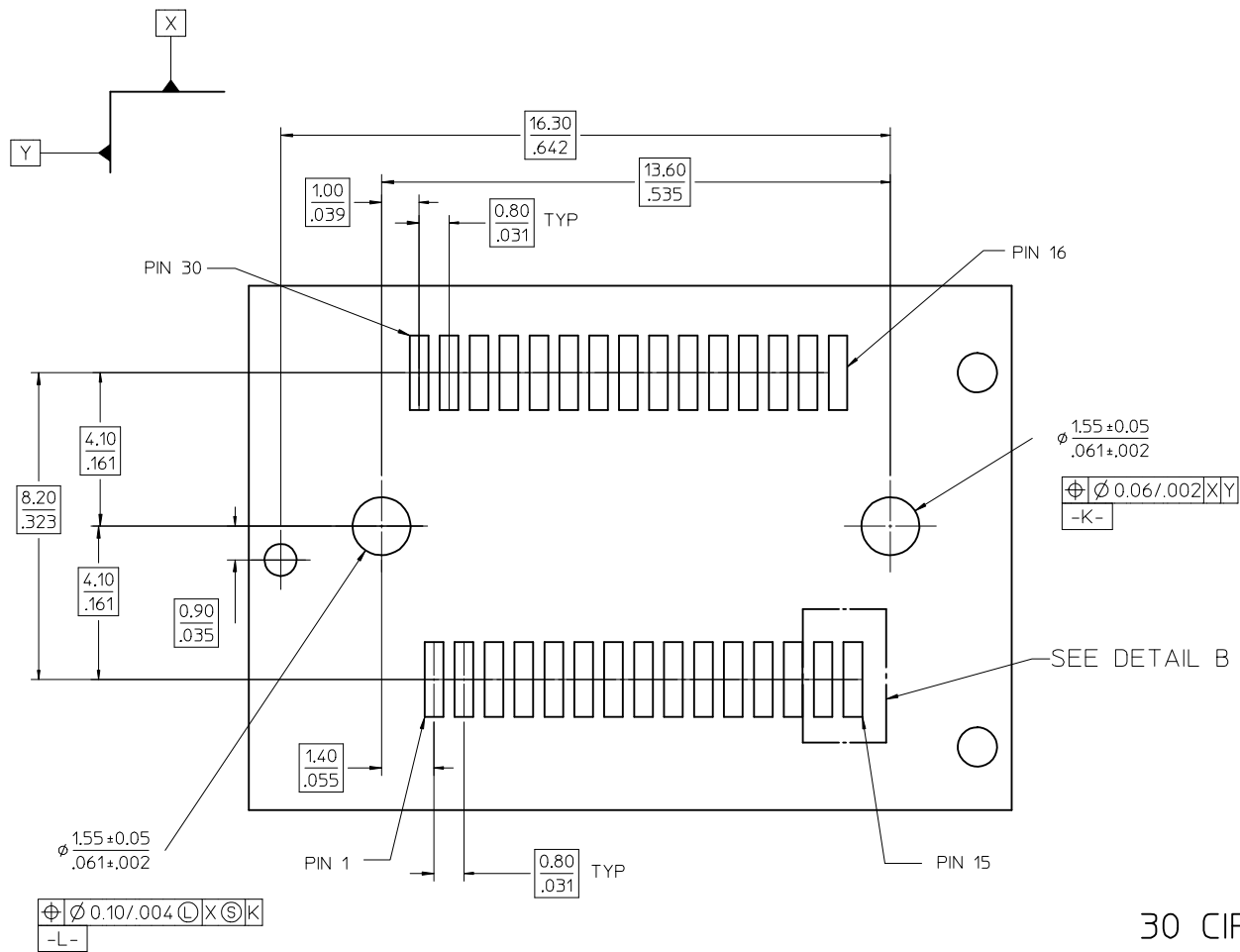


20 CIRCUIT MOTHER BOARD RECOMMENDED PCB LAYOUT

THIS AREA DENOTES
COMPONENT KEEP-OUT
(TRACES ALLOWED)

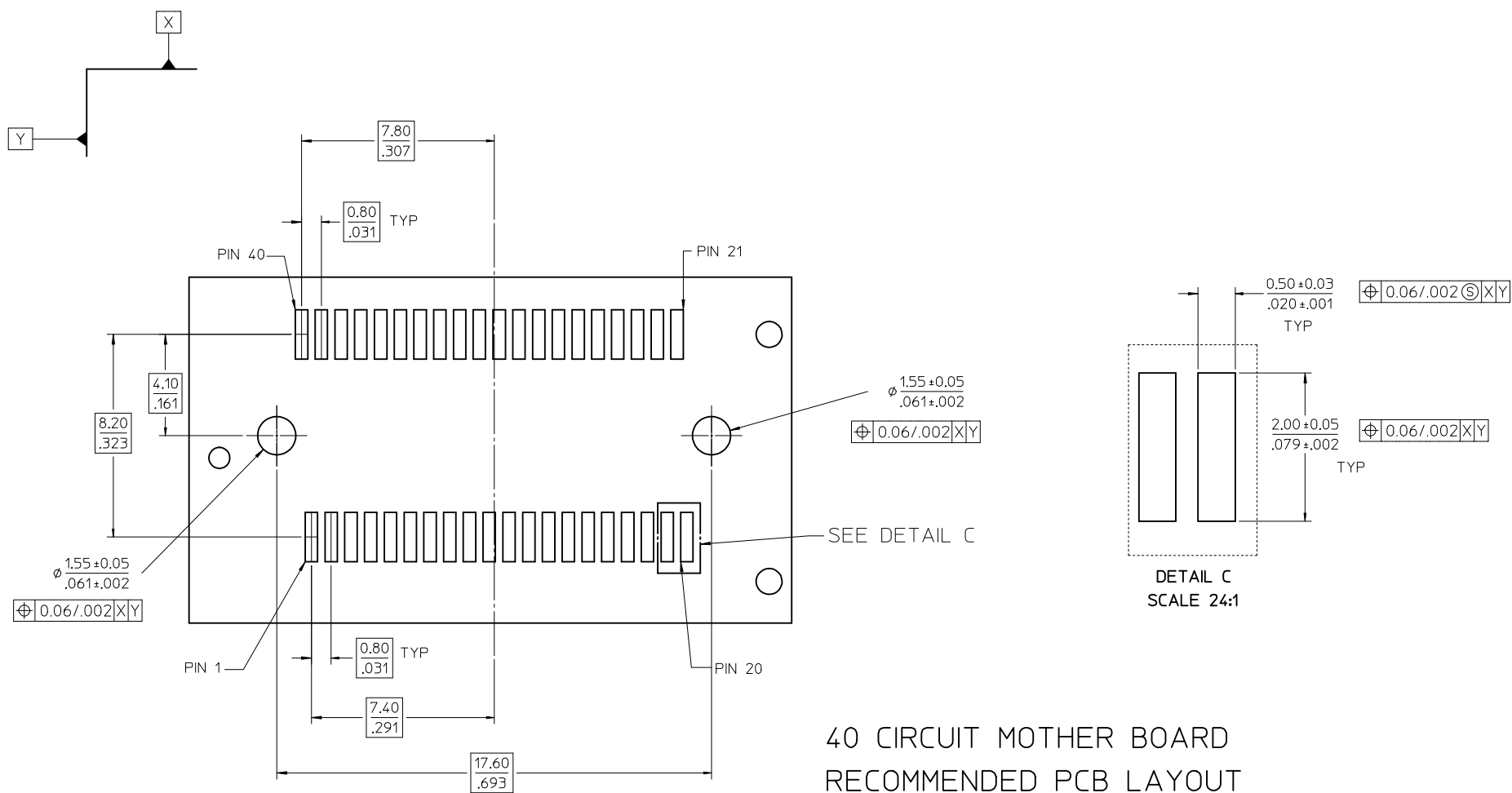
CROSS HATCHED AREA DENOTES
COMPONENT AND TRACE KEEP-OUT
(EXCEPT CHASSIS GROUND)

SEE SHEET 1 EC NO: UCP2016-4520 DRWNSVANG01 2016/06/10 CHKDBBARKER 2016/06/10 APPR:SWILLER 2016/07/25	QUALITY SYMBOLS 	GENERAL TOLERANCES (UNLESS SPECIFIED) <table border="1"> <thead> <tr> <th></th> <th>mm</th> <th>INCH</th> </tr> </thead> <tbody> <tr> <td>4 PLACES</td> <td>± .005</td> <td>± .0005</td> </tr> <tr> <td>3 PLACES</td> <td>± .005</td> <td>± .0005</td> </tr> <tr> <td>2 PLACES</td> <td>± 0.13</td> <td>± .010</td> </tr> <tr> <td>1 PLACE</td> <td>± 0.25</td> <td>± .010</td> </tr> <tr> <td>0 PLACE</td> <td>±</td> <td>±</td> </tr> </tbody> </table>		mm	INCH	4 PLACES	± .005	± .0005	3 PLACES	± .005	± .0005	2 PLACES	± 0.13	± .010	1 PLACE	± 0.25	± .010	0 PLACE	±	±	DIMENSION STYLE MM/IN	SCALE 8:1	DESIGN UNITS METRIC	THIRD ANGLE PROJECTION
		mm	INCH																					
	4 PLACES	± .005	± .0005																					
	3 PLACES	± .005	± .0005																					
2 PLACES	± 0.13	± .010																						
1 PLACE	± 0.25	± .010																						
0 PLACE	±	±																						
REV Y	DESCRIPTION SEE SHEET 1	DRAFT WHERE APPLICABLE MUST REMAIN WITHIN DIMENSIONS	DRAWN BY HAVERY	DATE 00/04/06	TITLE SALES ASSEMBLY Z AXIS PLUGGABLE PCB CONNECTOR	MATERIAL NO. SEE TBL, SHT 1																		
			APPROVED BY MBANAKIS	DATE 00/04/06	molex	DOCUMENT NO. SD-74441-001																		
					SHEET NO. 3 OF 7	THIS DRAWING CONTAINS INFORMATION THAT IS PROPRIETARY TO MOLEX INCORPORATED AND SHOULD NOT BE USED WITHOUT WRITTEN PERMISSION																		



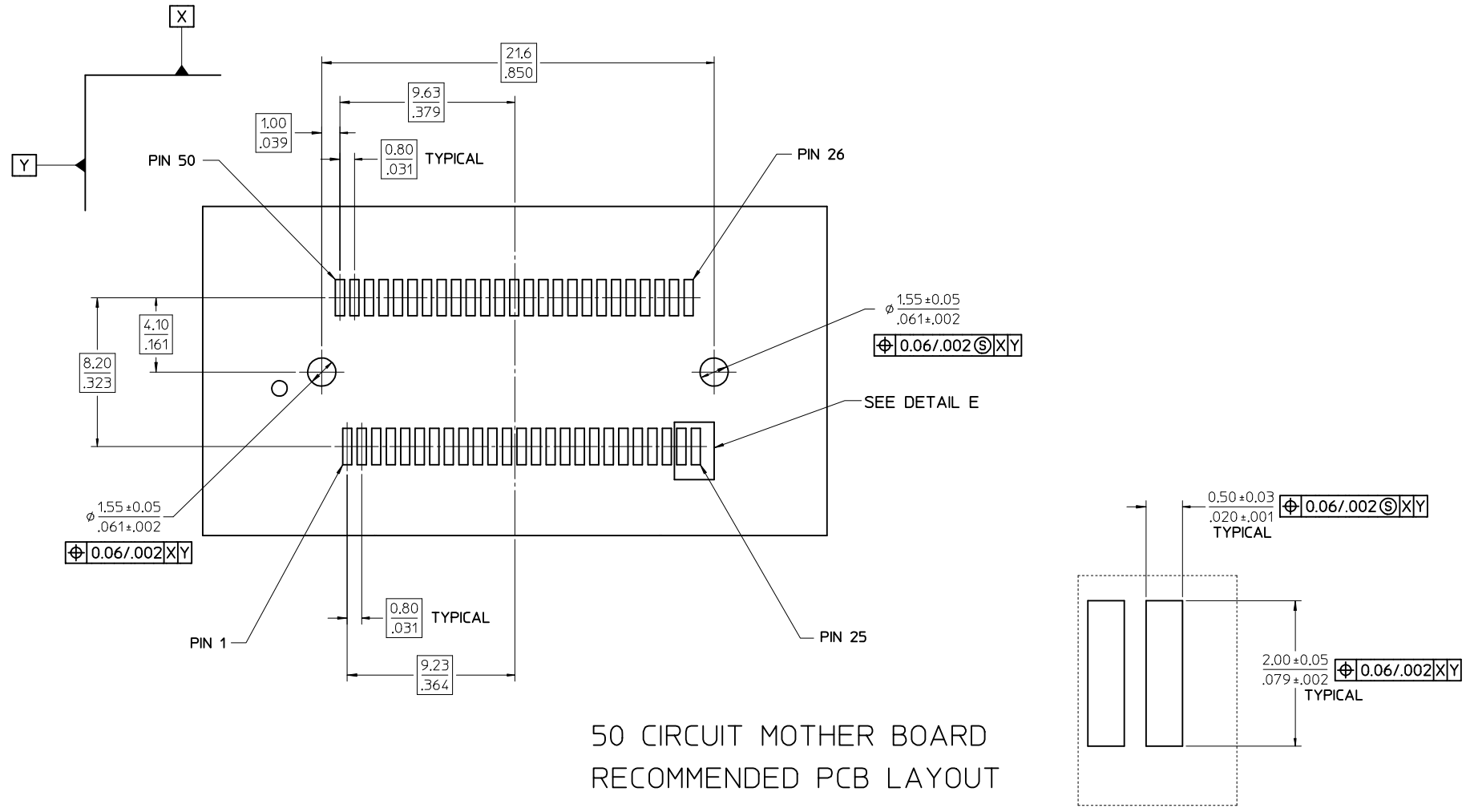
30 CIRCUIT MOTHER BOARD
RECOMMENDED PCB LAYOUT

SEE SHEET 1 EC NO: UCP2016-4520 DRWNS:VANG01 2016/06/10 CHKD:BBARKER 2016/06/10 APPR:SMILLER 2016/07/25	QUALITY SYMBOLS	GENERAL TOLERANCES (UNLESS SPECIFIED)		DIMENSION STYLE	SCALE	DESIGN UNITS	THIRD ANGLE PROJECTION
	▽=0	mm	INCH	MM/IN	6:1	METRIC	☉
	▽=0	4 PLACES ± ---	± ---	DRAWN BY	DATE	TITLE	
	▽=0	3 PLACES ± ---	± .005	HAVERY	00/04/06	SALES ASSEMBLY Z AXIS PLUGGABLE PCB CONNECTOR	
REV	DESCRIPTION	2 PLACES ± 0.13	± .010	CHECKED BY	DATE	molex	
Y		1 PLACE ± 0.25	± ---	APPROVED BY	DATE	SD-74441-001	
		0 PLACE ±	±	MBANAK IS	00/04/06	SHEET NO. 4 OF 7	
		ANGULAR ±1/2°		MATERIAL NO.	DOCUMENT NO.	THIS DRAWING CONTAINS INFORMATION THAT IS PROPRIETARY TO MOLEX INCORPORATED AND SHOULD NOT BE USED WITHOUT WRITTEN PERMISSION	
		DRAFT WHERE APPLICABLE MUST REMAIN WITHIN DIMENSIONS		SEE TBL, SHT 1			

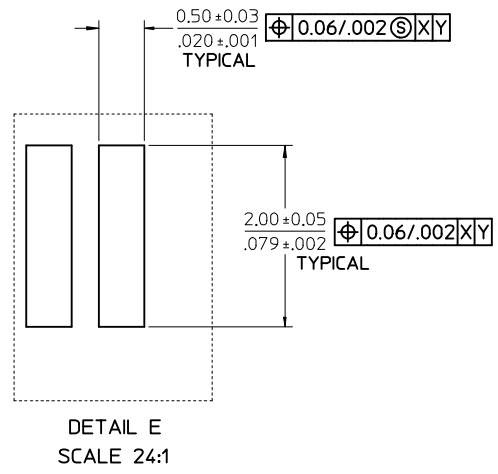


40 CIRCUIT MOTHER BOARD
RECOMMENDED PCB LAYOUT

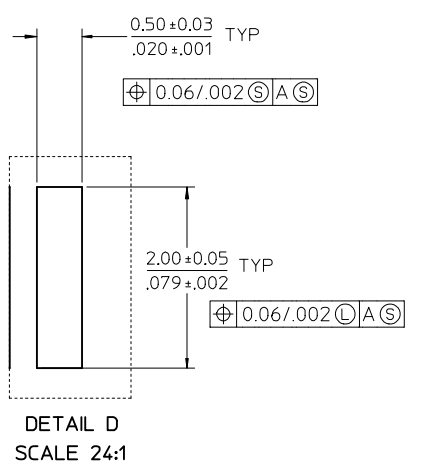
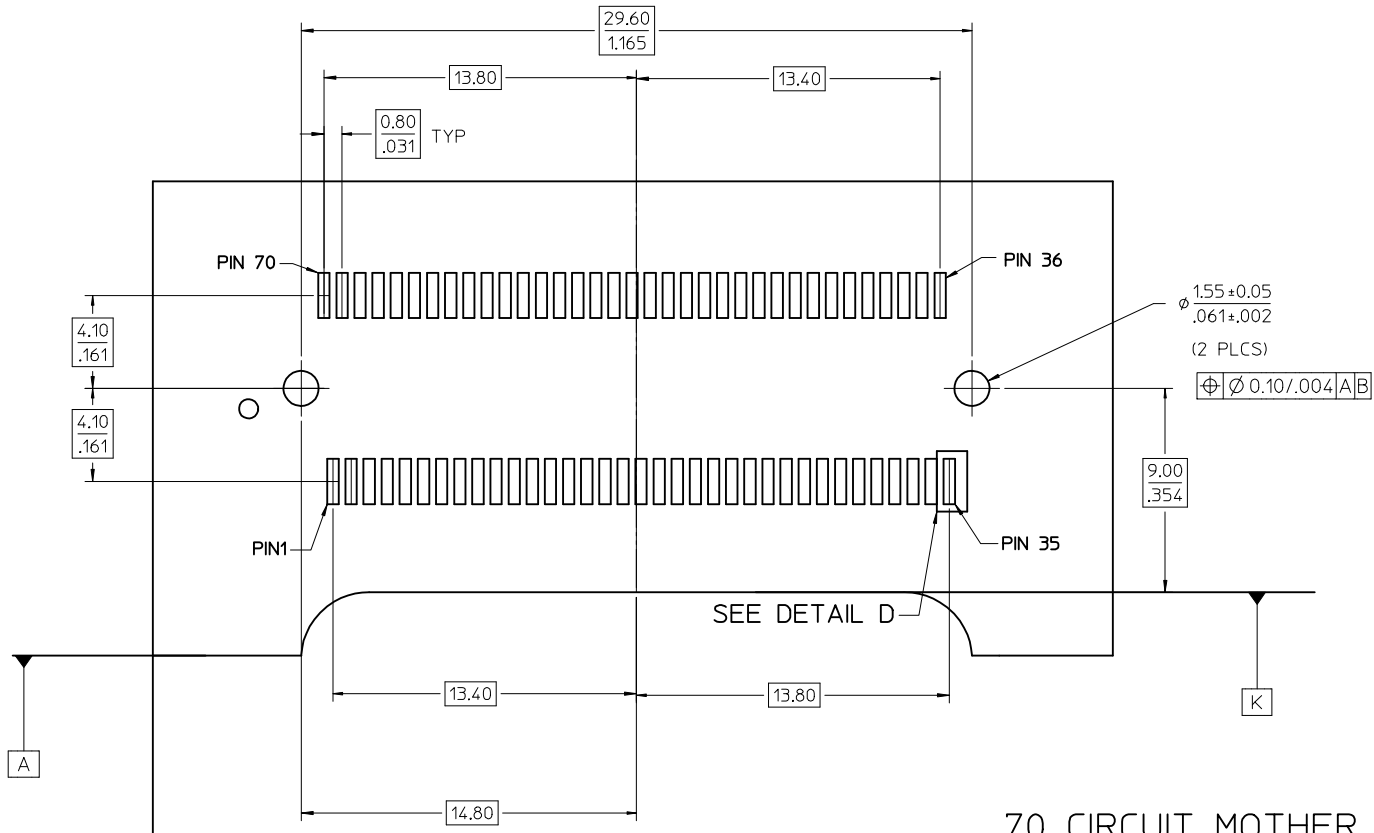
SEE SHEET 1 EC NO: UCP2016-4520 DRWNSVANG01 2016/06/10 CHKD:BBARKER 2016/06/10 APPR:SMILLER 2016/07/25 Y	QUALITY SYMBOLS ▽=0 ▽=0 ▽=0	GENERAL TOLERANCES (UNLESS SPECIFIED) <table border="1"> <thead> <tr> <th></th> <th>mm</th> <th>INCH</th> </tr> </thead> <tbody> <tr> <td>4 PLACES</td> <td>± ---</td> <td>± ---</td> </tr> <tr> <td>3 PLACES</td> <td>± ---</td> <td>± .005</td> </tr> <tr> <td>2 PLACES</td> <td>± 0.13</td> <td>± .010</td> </tr> <tr> <td>1 PLACE</td> <td>± 0.25</td> <td>± ---</td> </tr> <tr> <td>0 PLACE</td> <td>±</td> <td>±</td> </tr> </tbody> </table>		mm	INCH	4 PLACES	± ---	± ---	3 PLACES	± ---	± .005	2 PLACES	± 0.13	± .010	1 PLACE	± 0.25	± ---	0 PLACE	±	±	DIMENSION STYLE MM/IN	SCALE 6:1	DESIGN UNITS METRIC	THIRD ANGLE PROJECTION
		mm	INCH																					
	4 PLACES	± ---	± ---																					
	3 PLACES	± ---	± .005																					
2 PLACES	± 0.13	± .010																						
1 PLACE	± 0.25	± ---																						
0 PLACE	±	±																						
DESCRIPTION Y	DRAFT WHERE APPLICABLE MUST REMAIN WITHIN DIMENSIONS	ANGULAR ±1/2° SEE TBL, SHT 1	DRAWN BY HAVERY DATE 00/04/06	CHECKED BY KSWEENEY DATE 00/04/06	APPROVED BY MBANAKIS DATE 00/04/06	TITLE SALES ASSEMBLY Z AXIS PLUGGABLE PCB CONNECTOR																		
			MATERIAL NO. SEE TBL, SHT 1	DOCUMENT NO. SD-74441-001	SHEET NO. 5 OF 7																			
			THIS DRAWING CONTAINS INFORMATION THAT IS PROPRIETARY TO MOLEX INCORPORATED AND SHOULD NOT BE USED WITHOUT WRITTEN PERMISSION																					



50 CIRCUIT MOTHER BOARD
RECOMMENDED PCB LAYOUT



SEE SHEET 1 IEC NO: UCP2016-4520 DRWNS:VANG01 2016/06/10 CHKD:BBARKER 2016/06/10 APPR:SMILLER 2016/07/25 Y	QUALITY SYMBOLS ▽=0 ▽=0 ▽=0	GENERAL TOLERANCES (UNLESS SPECIFIED) <table border="1"> <tr> <th></th> <th>mm</th> <th>INCH</th> </tr> <tr> <td>4 PLACES</td> <td>± .005</td> <td>± .0005</td> </tr> <tr> <td>3 PLACES</td> <td>± .010</td> <td>± .0010</td> </tr> <tr> <td>2 PLACES</td> <td>± 0.13</td> <td>± .010</td> </tr> <tr> <td>1 PLACE</td> <td>± 0.25</td> <td>± .010</td> </tr> <tr> <td>0 PLACE</td> <td>±</td> <td>±</td> </tr> </table>		mm	INCH	4 PLACES	± .005	± .0005	3 PLACES	± .010	± .0010	2 PLACES	± 0.13	± .010	1 PLACE	± 0.25	± .010	0 PLACE	±	±	DIMENSION STYLE MM/IN DRAWN BY: HAVERY DATE: 00/04/06 CHECKED BY: KSWEENEY DATE: 00/04/06 APPROVED BY: MBANAKIS DATE: 00/04/06	SCALE 6:1	DESIGN UNITS METRIC	THIRD ANGLE PROJECTION
		mm	INCH																					
	4 PLACES	± .005	± .0005																					
	3 PLACES	± .010	± .0010																					
2 PLACES	± 0.13	± .010																						
1 PLACE	± 0.25	± .010																						
0 PLACE	±	±																						
DRAFT WHERE APPLICABLE MUST REMAIN WITHIN DIMENSIONS		MATERIAL NO. SEE TBL, SHT 1	DOCUMENT NO. SD-74441-001	SHEET NO. 6 OF 7																				
THIS DRAWING CONTAINS INFORMATION THAT IS PROPRIETARY TO MOLEX INCORPORATED AND SHOULD NOT BE USED WITHOUT WRITTEN PERMISSION																								



70 CIRCUIT MOTHER BOARD
RECOMMENDED PCB LAYOUT

SEE SHEET 1 EC NO: UCP2016-4520 DRWNS:VANG01 2016/06/10 CHKD:BBARKER 2016/06/10 APPR:SMILLER 2016/07/25 Y	QUALITY SYMBOLS 	GENERAL TOLERANCES (UNLESS SPECIFIED)		DIMENSION STYLE MM/IN		SCALE 6:1	DESIGN UNITS METRIC	THIRD ANGLE PROJECTION		
		4 PLACES	± ---	± ---	DRAWN BY	DATE	TITLE SALES ASSEMBLY Z AXIS PLUGGABLE PCB CONNECTOR DOCUMENT NO. SD-74441-001 SHEET NO. 7 OF 7			
		3 PLACES	± ---	± .005	CHECKED BY	DATE				
		2 PLACES	± 0.13	± .010	APPROVED BY	DATE				
1 PLACE	± 0.25	± ---	MATERIAL NO.	DATE						
0 PLACE	±	±	SEE TBL, SHT 1							
DRAFT WHERE APPLICABLE MUST REMAIN WITHIN DIMENSIONS		ANGULAR ±1/2°		THIS DRAWING CONTAINS INFORMATION THAT IS PROPRIETARY TO MOLEX INCORPORATED AND SHOULD NOT BE USED WITHOUT WRITTEN PERMISSION						