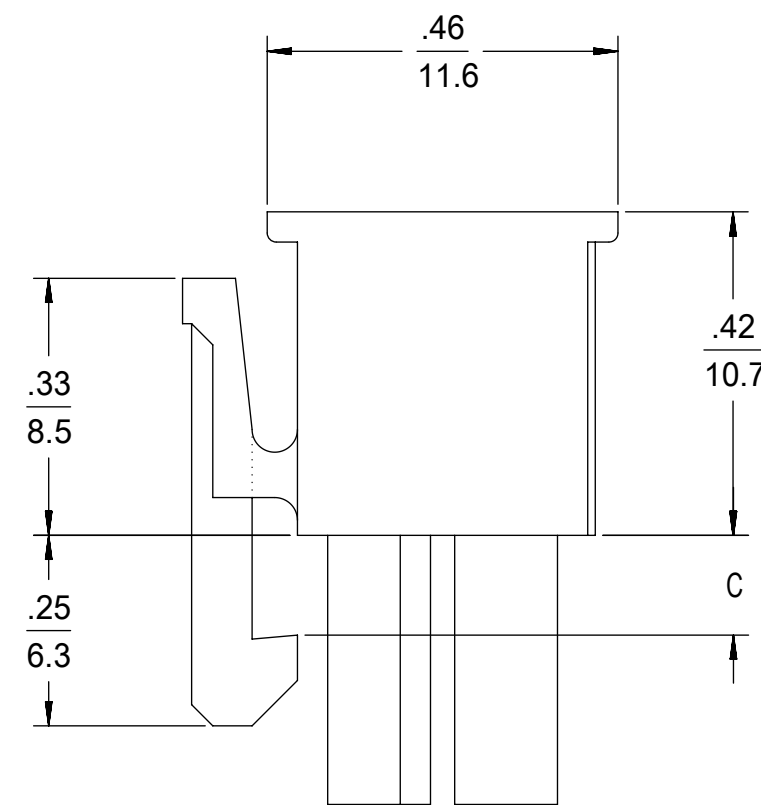
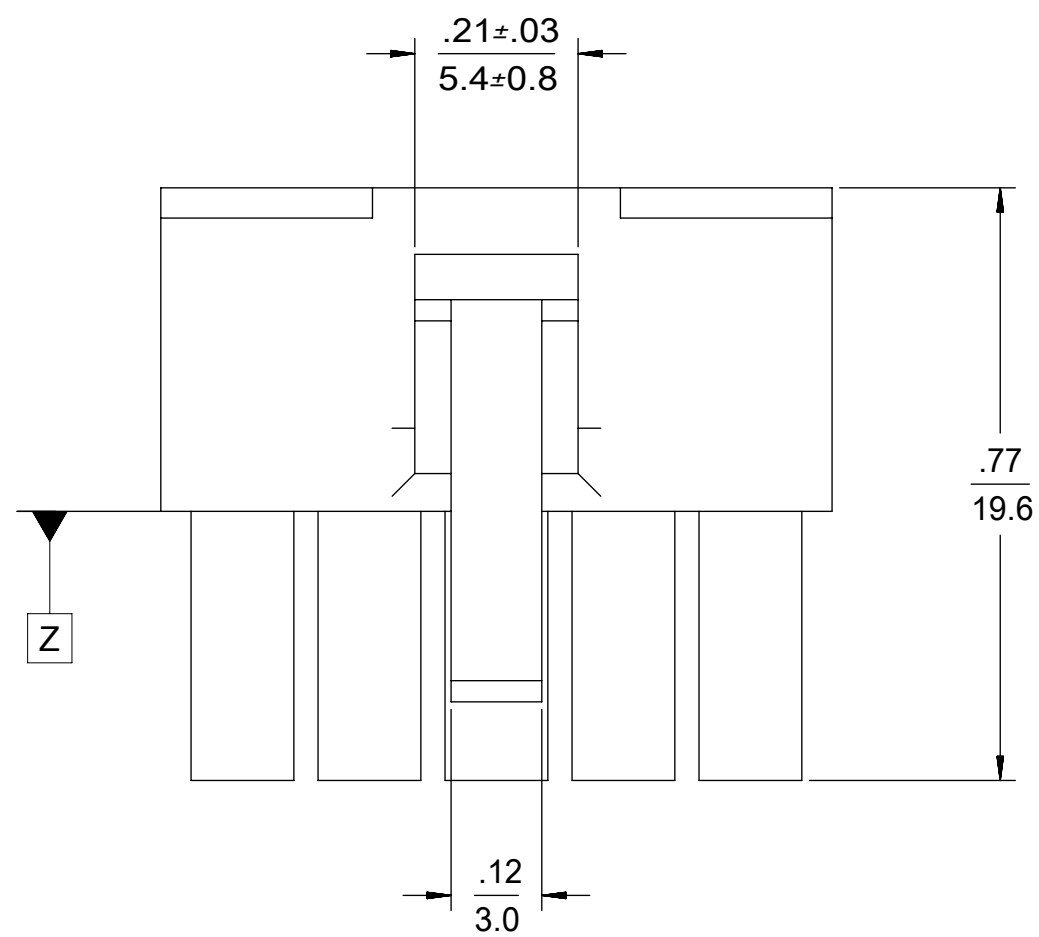


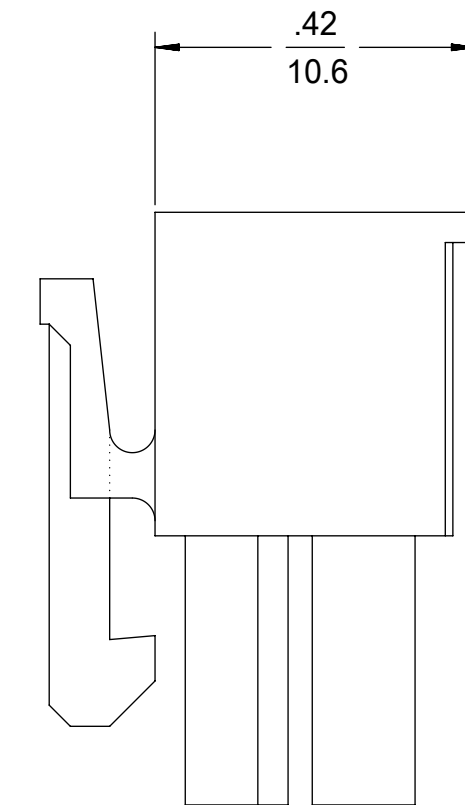
4 CKT SHOWN

NOTES:

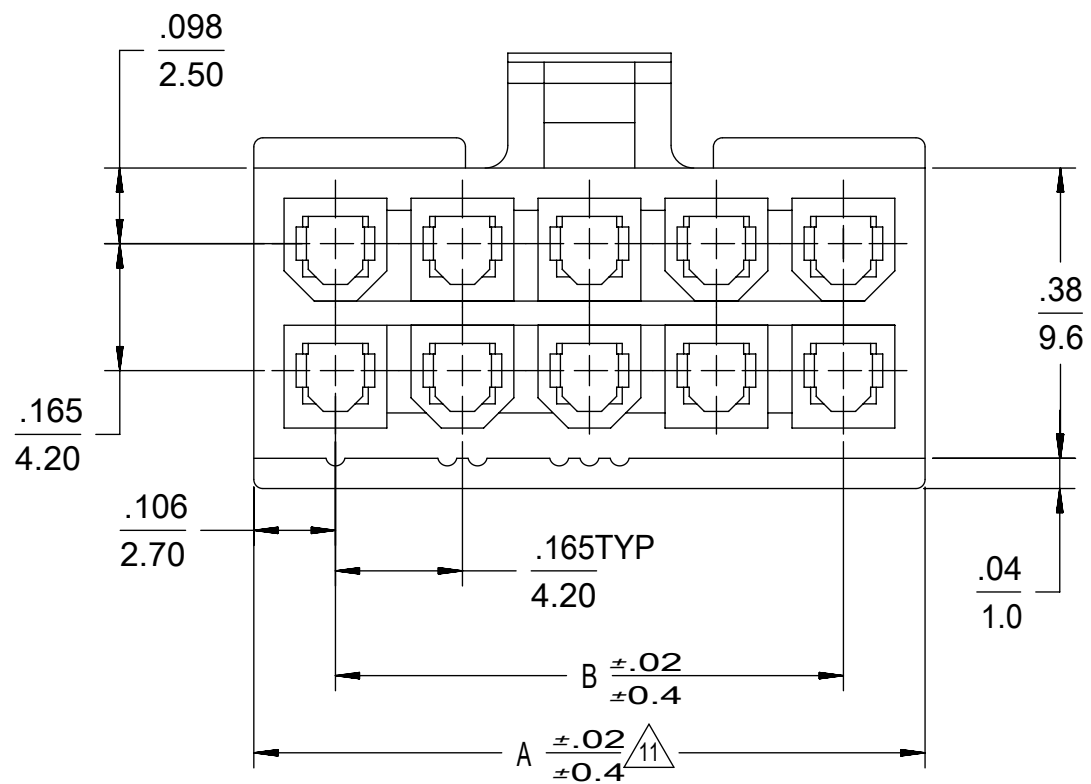
- 1) MATERIAL:
 "BLANK" = NYLON 6/6, UNFILLED UL94V-2, COLOR: NATURAL.
 "BL" = NYLON 6/6, UNFILLED UL94V-2, COLOR: BLACK.
 "BU" = NYLON 6/6, UNFILLED UL94V-2, COLOR: BLUE.
 "RE" = NYLON 6/6, UNFILLED UL94V-2, COLOR: RED.
 "YE" = NYLON 6/6, UNFILLED UL94V-2, COLOR: YELLOW
 "GRE" = NYLON 6/6, UNFILLED UL94V-2, COLOR: GREEN.
 "210" = NYLON 6/6, UNFILLED UL94V-0, COLOR: NATURAL.
 "400" = NYLON 6/6, UNFILLED UL94V-0, COLOR: BLACK.
 - 2) FINISH: NOT APPLICABLE
 - 3) PRODUCT SPECIFICATION: PS-5556-001
 - 4) PACKAGING: BULK
 - 5) PART MATES WITH MOLEX PLUG #5559 AND HEADERS #5566, #5569.
 - 6) PART TO BE USED WITH MOLEX FEMALE TERMINAL #5556.
 - 7) PART IS NOT DESIGNED FOR CURRENT SHARING.
 - 8) CONNECTORS ARE NOT TO BE MATED OR UNMATED WHILE CIRCUITS ARE LIVE.
 - 9) WIRES ARE TO BE DRESSED IN SUCH A MANNER TO ALLOW THE TERMINALS TO FLOAT FREELY IN THE POCKET.
 - 10) PART CONFORMS TO CLASS "B" REQUIREMENTS OF COSMETIC SPECIFICATION PS-45499-002 WITH THE EXCEPTION OF DISCOLORATION, FLASH AND SINK MEET CLASS "C" REQUIREMENTS.
- 11 TO BE MEASURED AT SURFACE Z
 12 TEXT ON PART IS FOR REFERENCE ONLY. TEXT AND TEXT LOCATION MAY VARY DEPENDING ON PART NUMBER AND/OR TOOL.



4-24 CKT



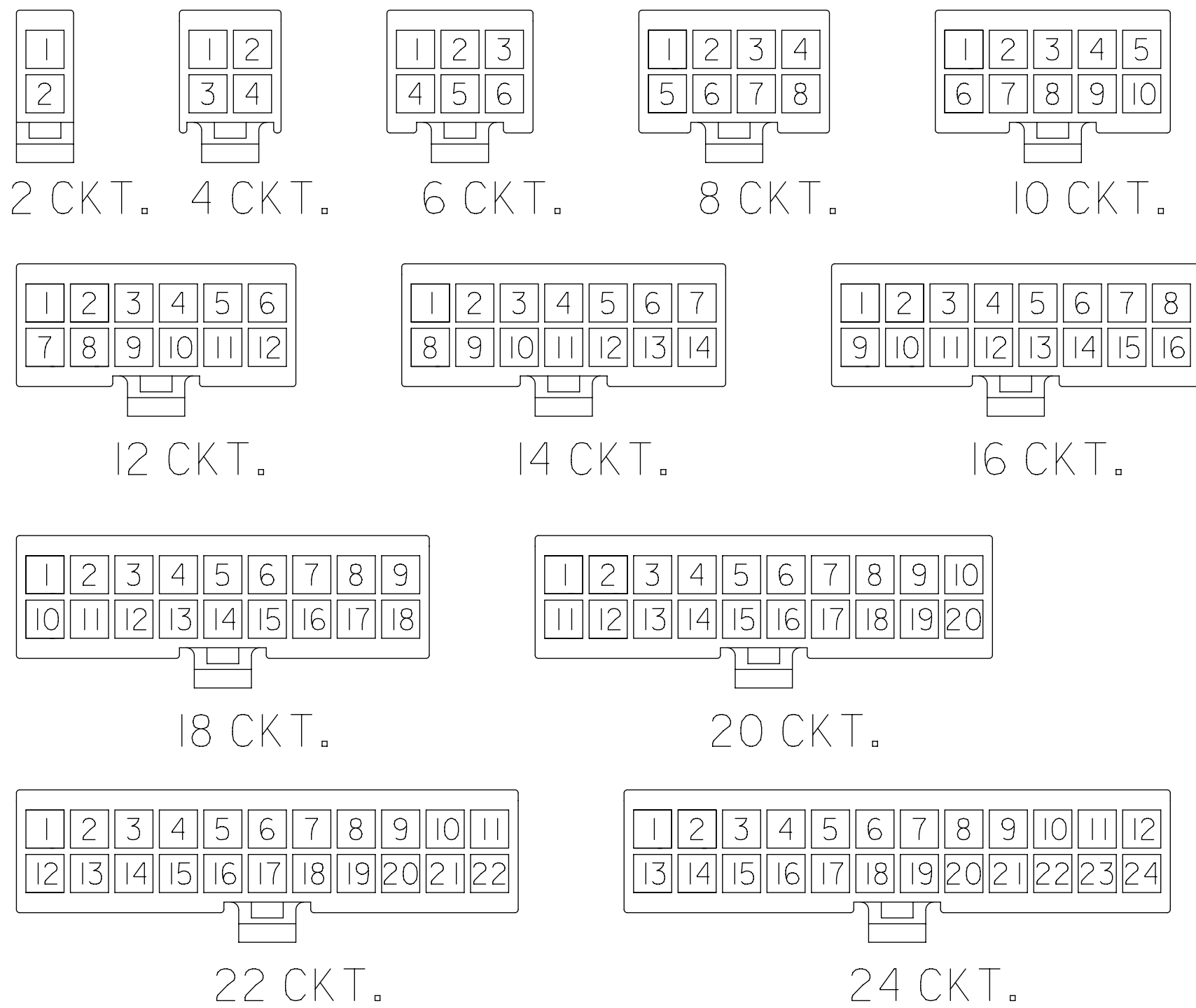
2 CKT ONLY



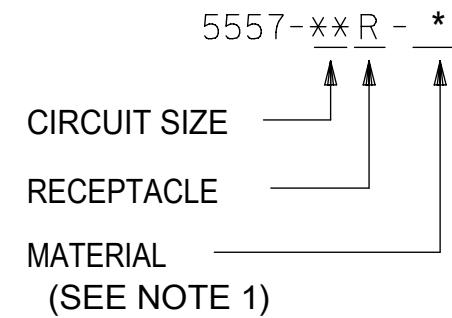
2.031/(51.60)	1.819/(46.20)	.142/ (3.60)	24
1.866/(47.40)	1.654/(42.00)		22
1.701/(43.20)	1.488/(37.80)		20
1.535/(39.00)	1.323/(33.60)	.129/ (3.30)	18
1.370/(34.80)	1.157/(29.40)		16
1.205/(30.60)	0.992/(25.20)		14
1.039/(26.40)	0.827/(21.00)		12
0.874/(22.20)	0.661/(16.80)		10
0.709/(18.00)	0.496/(12.60)		8
0.543/(13.80)	0.331/(8.40)		6
0.378/(9.60)	0.165/(4.20)		4
0.213/(5.40)	—		2
A	B	C	NO. OF CKTS.

THIS DRAWING CONTAINS INFORMATION THAT IS PROPRIETARY TO MOLEX ELECTRONIC TECHNOLOGIES, LLC AND SHOULD NOT BE USED WITHOUT WRITTEN PERMISSION

QUALITY SYMBOLS: ▽ = 0 ▽ = 0 ▽ = 0 ▽ = 0 ▽ = 0 ▽ = 0 ▽ = 0 ▽ = 0 ▽ = 0 ▽ = 0 ▽ = 0 ▽ = 0 ▽ = 0 ▽ = 0 ▽ = 0 ▽ = 0 ▽ = 0	DRW NO: 2016/03/25 DRWN: CSLAFTER CHKD: REV: APPR: FSMITH OBS -225 P/N'S EC NO: 105893 J14	GENERAL TOLERANCES (UNLESS SPECIFIED) MM INCH 4 PLACES ± ± 3 PLACES ± ± 0.01 2 PLACES ± 0.25 ± 0.015 1 PLACES ± 0.38 ± 0 PLACES ± ± ANGULAR TOL = 0.5 DRAFT WHERE APPLICABLE MUST REMAIN WITHIN DIMENSIONS	DIMENSION UNITS IN/MM	SCALE 4:1	molex MINIFIT JR RECEPTACLE HOUSING DUAL ROW 2-24 CKT	
			DRWN BY: S.MOCHIZUKI DATE: '90/02/22 CHK'D BY: M.FUKUSHIMA DATE: '97/01/08 APPR BY: FSMITH DATE: 2011/02/21 DRAWING SIZE: C THIRD ANGLE PROJECTION	PRODUCT CUSTOMER DRAWING SERIES: 5557 MATERIAL NUMBER: SEE CHART CUSTOMER: GENERAL MARKET		
			DOCUMENT NUMBER: SD-5557-003	DOC TYPE: PSD	DOC PART: 000	SHEET NUMBER: 1 OF 2



LEGEND



**CIRCUIT SIZE LAYOUT
(NOT TO SCALE)**

V-0 (BLACK)				V-0 (NATURAL)			
	39-03-9242	5557-24R-400	24	39-01-2245	5557-24R-210	24	
*	39-03-9222	5557-22R-400	22	39-01-2225	5557-22R-210	22	
*	39-03-9202	5557-20R-400	20	39-01-2205	5557-20R-210	20	
	39-03-9182	5557-18R-400	18	39-01-2185	5557-18R-210	18	
	39-03-9162	5557-16R-400	16	39-01-2165	5557-16R-210	16	
	39-03-9142	5557-14R-400	14	39-01-2145	5557-14R-210	14	
	39-03-9122	5557-12R-400	12	39-01-2125	5557-12R-210	12	
	39-03-9102	5557-10R-400	10	39-01-2105	5557-10R-210	10	
	39-03-9082	5557-08R-400	8	39-01-2085	5557-08R-210	8	
	39-03-9062	5557-06R-400	6	39-01-2065	5557-06R-210	6	
	39-03-9042	5557-04R-400	4	39-01-2045	5557-04R-210	4	
	39-03-9022	5557-02R-400	2	39-01-2025	5557-02R-210	2	
	EDP. NO.	ENG. NO.	NO. OF CKTS.	EDP. NO.	ENG. NO.	NO. OF CKTS.	

* = CONSULT FACTORY FOR AVAILABILITY.

V-2 (BLUE)				V-2 (GREEN)				V-2 (YELLOW)				V-2 (RED)				V-2 (BLACK)				V-2 (NATURAL)			
			24				24				24	-	-		24	*	39-01-3245	5557-24R-BL	24	39-01-2240	5557-24R	24	
			22				22				22	-	-		22		39-01-3225	5557-22R-BL	22	39-01-2220	5557-22R	22	
			20				20				20	-	-		20		39-01-3205	5557-20R-BL	20	39-01-2200	5557-20R	20	
			18				18				18	-	-		18	*	39-01-3185	5557-18R-BL	18	39-01-2180	5557-18R	18	
			16				16				16	-	-		16	*	39-01-3165	5557-16R-BL	16	39-01-2160	5557-16R	16	
			14				14				14	-	-		14		39-01-3145	5557-14R-BL	14	39-01-2140	5557-14R	14	
			12				12				12	-	-		12		39-01-3125	5557-12R-BL	12	39-01-2120	5557-12R	12	
*	39-02-7108	5557-10R-BU	10				10				10	*	39-02-8100	5557-10R-RE	10		39-01-3105	5557-10R-BL	10	39-01-2100	5557-10R	10	
			8				8				8	-	-		8		39-01-3085	5557-08R-BL	8	39-01-2080	5557-08R	8	
			6	*	39-02-7069	5557-06R-GRE	6	*	39-02-8061	5557-06R-YE	6	-	-		6		39-01-3065	5557-06R-BL	6	39-01-2060	5557-06R	6	
			4				4	*	39-02-8041	5557-04R-YE	4	*	39-02-8040	5557-04R-RE	4		39-01-3045	5557-04R-BL	4	39-01-2040	5557-04R	4	
			2	*	39-02-7029	5557-02R-GRE	2	*	39-02-8021	5557-02R-YE	2	-	-		2		39-01-3025	5557-02R-BL	2	39-01-2020	5557-02R	2	
	EDP. NO.	ENG. NO.	NO. OF CKTS.		EDP. NO.	ENG. NO.	NO. OF CKTS.		EDP. NO.	ENG. NO.	NO. OF CKTS.		EDP. NO.	ENG. NO.	NO. OF CKTS.		EDP. NO.	ENG. NO.	NO. OF CKTS.	EDP. NO.	ENG. NO.	NO. OF CKTS.	

THIS DRAWING CONTAINS INFORMATION THAT IS PROPRIETARY TO MOLEX ELECTRONIC TECHNOLOGIES, LLC AND SHOULD NOT BE USED WITHOUT WRITTEN PERMISSION

QUALITY SYMBOLS	OBS -225 P/IN S	EC NO: 105893 DRWN: CSLAFTER CHKD: REV APPR: FSMITH	GENERAL TOLERANCES (UNLESS SPECIFIED)		DIMENSION UNITS	SCALE	molex
			MM	INCH	IN/MM	4:1	
			4 PLACES ±	±	DRWN BY	DATE	
			3 PLACES ±	± 0.01	S.MOCHIZUKI	'90/02/22	
2 PLACES ±	± 0.25 ± 0.015	CHK'D BY	DATE				
1 PLACES ±	± 0.38 ±	M.FUKUSHIMA	'97/01/08				
0 PLACES ±	±	APPR BY	DATE				
		FSMITH	2011/02/21				
		ANGULAR TOL = 0.5					
		DRAFT WHERE APPLICABLE MUST REMAIN WITHIN DIMENSIONS					
		DRAWING SIZE	THIRD ANGLE PROJECTION				
		C					

MINIFIT JR RECEPTACLE HOUSING DUAL ROW 2-24 CKT

PRODUCT CUSTOMER DRAWING

SERIES	MATERIAL NUMBER	CUSTOMER
5557	SEE CHART	GENERAL MARKET
DOCUMENT NUMBER	DOC TYPE	DOC PART
SD-5557-003	PSD	000
SHEET NUMBER	2 OF 2	