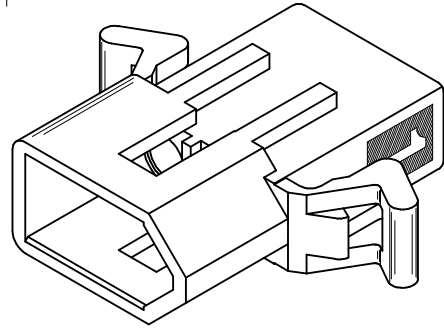
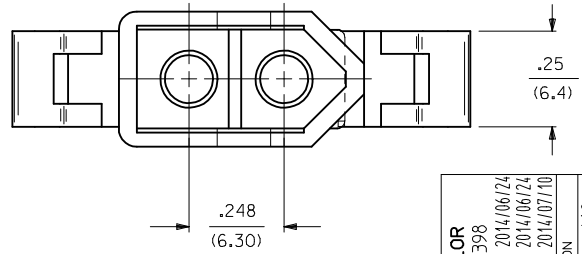
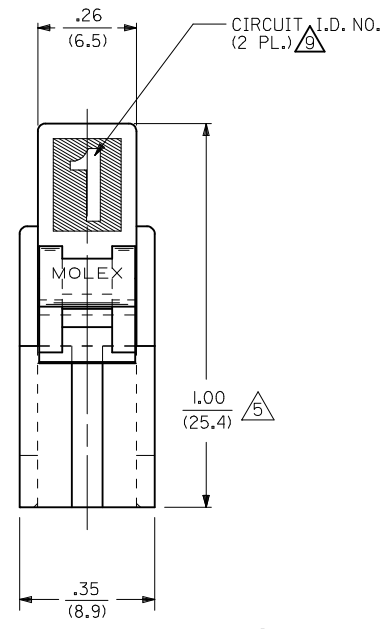
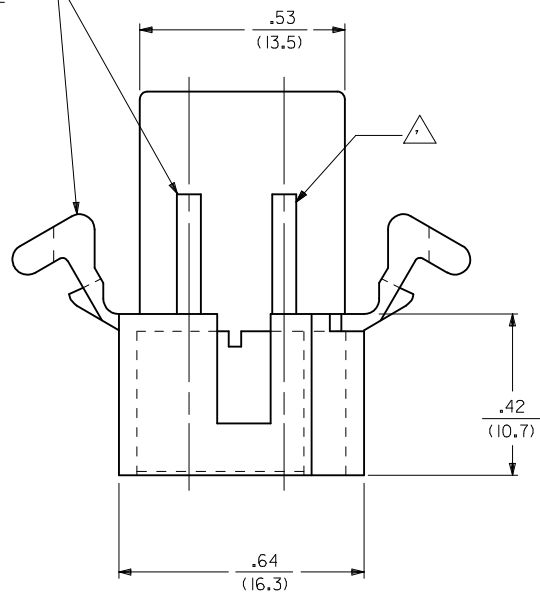
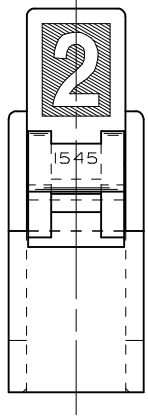


DETAIL "I"

OPTIONAL MOUNTING EARS AND RIBS (PRE-BENT EAR SHOWN) SEE DETAIL 3 & 4



<b>MATERIAL B COLOR</b> EC NO: UCP2014-5398 DRWN:JDOX 2014/06/24 CHKD:HKIPPER 2014/06/24 APPR:FSMITH 2014/07/10	QUALITY SYMBOLS ∇=0 ∇=0 ∇=0	GENERAL TOLERANCES (UNLESS SPECIFIED)		DIMENSION STYLE IN/MM	SCALE 4:1	DESIGN UNITS INCH	THIRD ANGLE PROJECTION	
		4 PLACES ± --- ± ---	DRAWN BY GEP	DATE 8/9/88	TITLE .093/(2.36) HOUSING, PLUG & RECEPTACLE, 2 CKT., .248/(6.30) CTR.			
		3 PLACES ± --- ± .010	CHECKED BY RW	DATE 8/9/88	MATERIAL NO. SD-1545-*			
		2 PLACES ± 0.25 ± .014	APPROVED BY FSMITH	DATE 2014/07/10	SHEET NO. 1 OF 3			
1 PLACE ± 0.35 ± ---	ANGULAR ±1/2°		SEE CHART		DOCUMENT NO.			
0 PLACE ± --- ± ---	DRAFT WHERE APPLICABLE MUST REMAIN WITHIN DIMENSIONS		THIS DRAWING CONTAINS INFORMATION THAT IS PROPRIETARY TO MOLEX INCORPORATED AND SHOULD NOT BE USED WITHOUT WRITTEN PERMISSION		SIZE C			

13

12

11

10

9

8

7

6

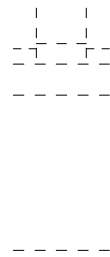
5

4

3

2

1



QUALITY SYMBOLS	GENERAL TOLERANCES (UNLESS SPECIFIED)		DIMENSION STYLE	SCALE	DESIGN UNITS		
			IN/MM	4:1	INCH		
		4 PLACES	± ---	± ---	GEP	8/9/88	.093/(2.36) HOUSING, PLUG & RECEPTACLE, 2 CKT., .24r <b>molex</b>
		3 PLACES	± ---	± .010	RW	8/9/88	
		2 PLACES	± 0.25	± .014			
	1 PLACE	± 0.35	± ---				
	0 PLACE	± ---	± ---				
	ANGULAR ±1/2°		MATERIAL NO.	DOCUMENT NO.		SHEET NO.	
	DRAFT WHERE APPLICABLE MUST REMAIN WITHIN DIMENSIONS		SEE CHART		SD-1545-*	2 OF 3	
	THIS DRAWING CONTAINS INFORMATION THAT IS PROPRIETARY TO MOLEX INCORPORATED AND SHOULD NOT BE USED WITHOUT WRITTEN PERMISSION						

12

11

10

9

8

7

6

5

4

3

2

1

