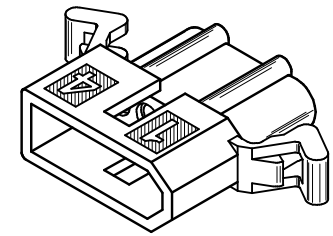
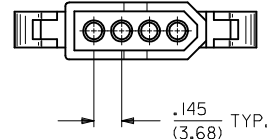
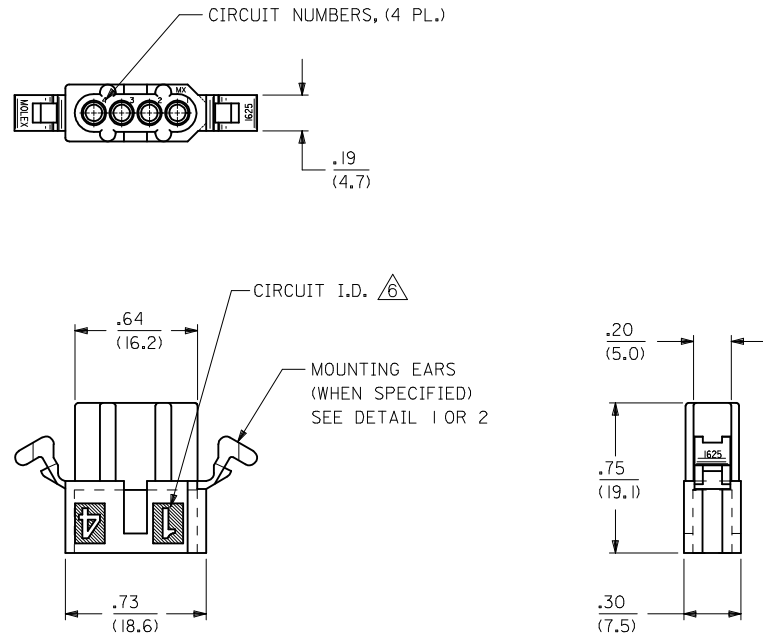


RECEPTACLE HOUSING



PLUG HOUSING

REMOVE RCPT. EAR NUB EC NO: UCP2014-2451 DRW: AELHAG 2013/12/12 CHKD: JBELL 2013/12/12 APPR: FSMITH 2013/12/20	QUALITY SYMBOLS 	GENERAL TOLERANCES (UNLESS SPECIFIED)		DIMENSION STYLE IN/MM	SCALE ---	DESIGN UNITS INCH	THIRD ANGLE PROJECTION	
		4 PLACES ± --- ± --- 3 PLACES ± --- ± .010 2 PLACES ± 0.25 ± .014 1 PLACE ± 0.36 ± ---	mm INCH DRAWN BY DATE AELHAG 2010/06/30 CHECKED BY DATE JBELL 2012/01/23 APPROVED BY DATE FSMITH 2011/12/02	TITLE PLUG & RECEPTACLE HOUSINGS, 4 CIRCUIT, .062 DIA., .145 CENTERS		MATERIAL NO. SD-1625-4*	SHEET NO. 1 OF 2	
		DRAFT WHERE APPLICABLE MUST REMAIN WITHIN DIMENSIONS		SEE CHART		MOLEX INCORPORATED		DOCUMENT NO.
		THIS DRAWING CONTAINS INFORMATION THAT IS PROPRIETARY TO MOLEX INCORPORATED AND SHOULD NOT BE USED WITHOUT WRITTEN PERMISSION						

PLUG		
PART NO.	ENG. NO.	
03-06-2041	1625-4P	
46999-0267	1625-4P-1	
03-06-7041	1625-4PBK	OBSOLETE
03-06-2042	1625-4P1	
03-06-7042	1625-4P1BK	
46999-0355	1625-4P2	
NOT TOOLED	1625-4P2BK	
46999-0353	1625-4P2-1	
	-	

RECEPTACLE		
PART NO.	ENG. NO.	
03-06-1041	1625-4R	
03-06-6041	1625-4RBK	OBSOLETE
03-06-1042	1625-4R1	
03-06-6042	1625-4R1BK	
50-29-1758	1625-4R2	
46999-0266	1625-4R2-1	
46999-0354	1625-4R1-1	
	-	
	-	

LEGEND:

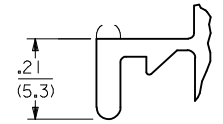
1625-4***-*

CIRCUIT SIZE
 R = RECEPTACLE
 P = PLUG

BLANK = WITH STANDARD MTG. EARS
 1 = WITHOUT EARS
 2 = WITH PREBENT MTG. EARS

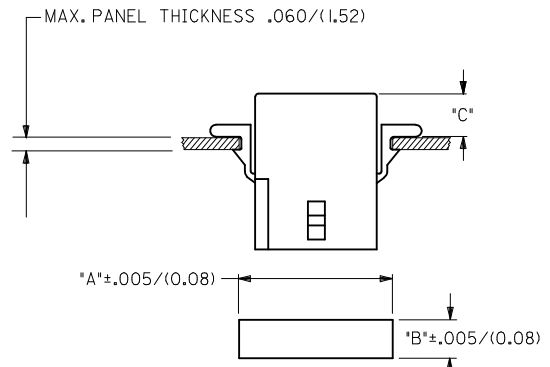
BLANK = NOT DYED
 AM=AMBER BK=BLACK BU=BLUE
 BN=BROWN GY=GRAY GN=GREEN
 OR=ORANGE RD=RED YW=YELLOW

BLANK = MATERIAL CODE A
 1 = MATERIAL CODE B



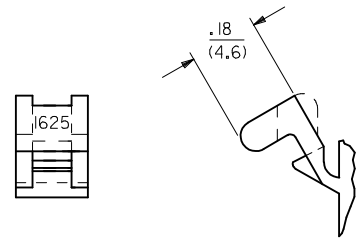
DETAIL 1

STANDARD MOUNTING EARS
 (SCALE 4:1)



RECOMMENDED PANEL OPENING

HOUSING	DIM. "A"	DIM. "B"	"C" PREBENT EAR	"C" STANDARD EAR
PLUG	.865/(21.97)	.312/(7.92)	.19/(4.8)	.18/(4.6)
RECEPT.	.785/(19.94)	.260/(6.60)	.21/(5.3)	.20/(5.1)



DETAIL 2

PREBENT MOUNTING EARS
 (SCALE 4:1)

- NOTES:
- MATERIAL:
 A = NYLON TYPE 6/6, 94V-2
 B = NYLON PA6, UL94V-2, COLOR: NATURAL
 IEC 60335-1, 4th EDITION, GLOW WIRE CAPABLE
 - FINISH: N/A.
 - THIS PRODUCT COMPLIES WITH MOLEX PRODUCT SPECIFICATION PS-02-06
 - PACKAGING: PK-1625-003.
 - HOUSINGS FOR USE WITH MOLEX .062/(1.57) DIA. SERIES TERMINALS.
 - CIRCUIT I.D. NUMBERS ON SIDE OF HOUSING APPEAR ON PARTS FROM TOOLS BUILT AFTER 8/10/92. PARTS FROM TOOLS BUILT BEFORE THIS DATE WILL HAVE CIRCUIT I.D. RIBS ON HOUSING.
 - PARTS CONFORM TO CLASS 'B' REQUIREMENTS OF COSMETIC SPECIFICATION PS-45499-002.

UPDATE REV. LEVEL EC NO: UCP2014-2451 DRWN: AELHAG CHKD: J.BELL APPR: FSMITH 2013/12/12 2013/12/12 2013/12/20	QUALITY SYMBOLS ∇=0 ∇=0 ∇=0	GENERAL TOLERANCES (UNLESS SPECIFIED)		DIMENSION STYLE IN/MM	SCALE ---	DESIGN UNITS INCH	THIRD ANGLE PROJECTION	
		4 PLACES ± --- ± --- 3 PLACES ± --- ± .010 2 PLACES ± 0.25 ± .014 1 PLACE ± 0.36 ± ---	mm INCH ± --- ± --- ± .010 ± .014 ± --- ± ---	DRAWN BY AELHAG	DATE 2010/06/30	TITLE PLUG & RECEPTACLE HOUSINGS, 4 CIRCUIT, .062 DIA., .145 CENTERS	MOLEX MOLEX INCORPORATED	SHEET NO. 2 OF 2
		ANGULAR ± 1°		APPROVED BY FSMITH	DATE 2011/12/02	MATERIAL NO. SEE CHART	DOCUMENT NO. SD-1625-4*	THIS DRAWING CONTAINS INFORMATION THAT IS PROPRIETARY TO MOLEX INCORPORATED AND SHOULD NOT BE USED WITHOUT WRITTEN PERMISSION