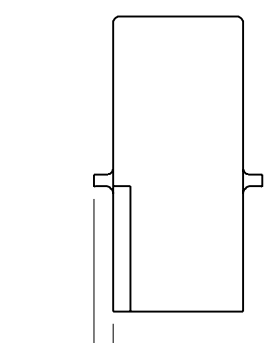
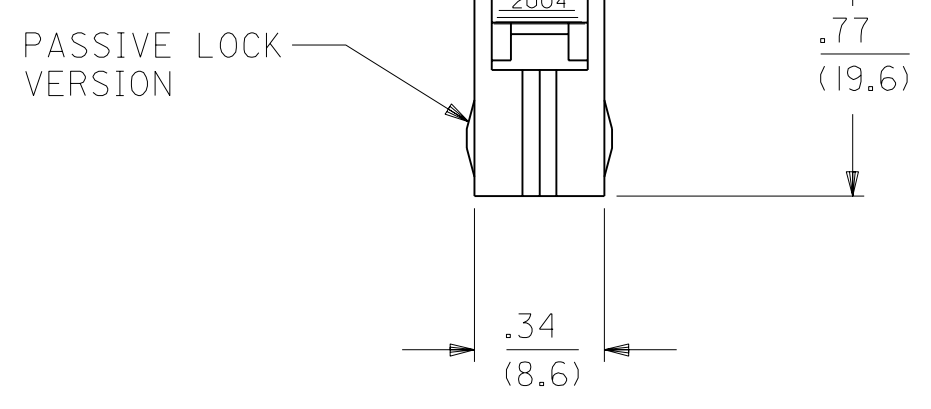
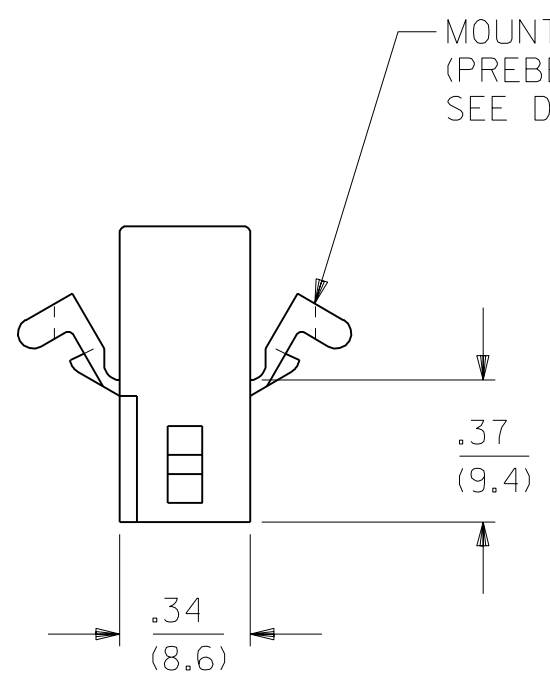
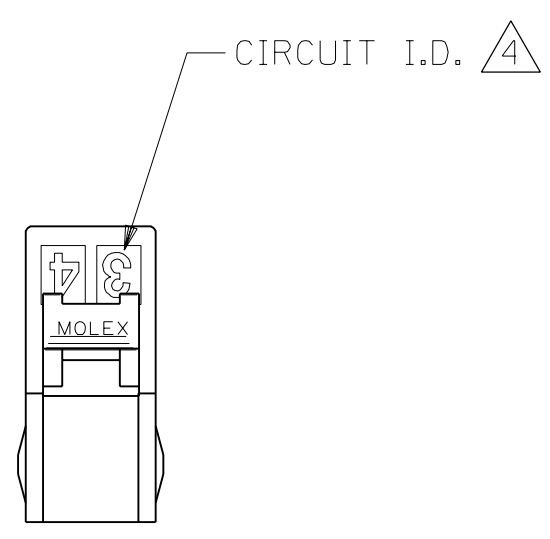
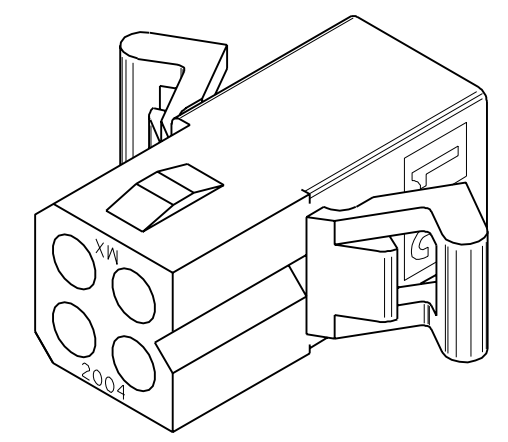
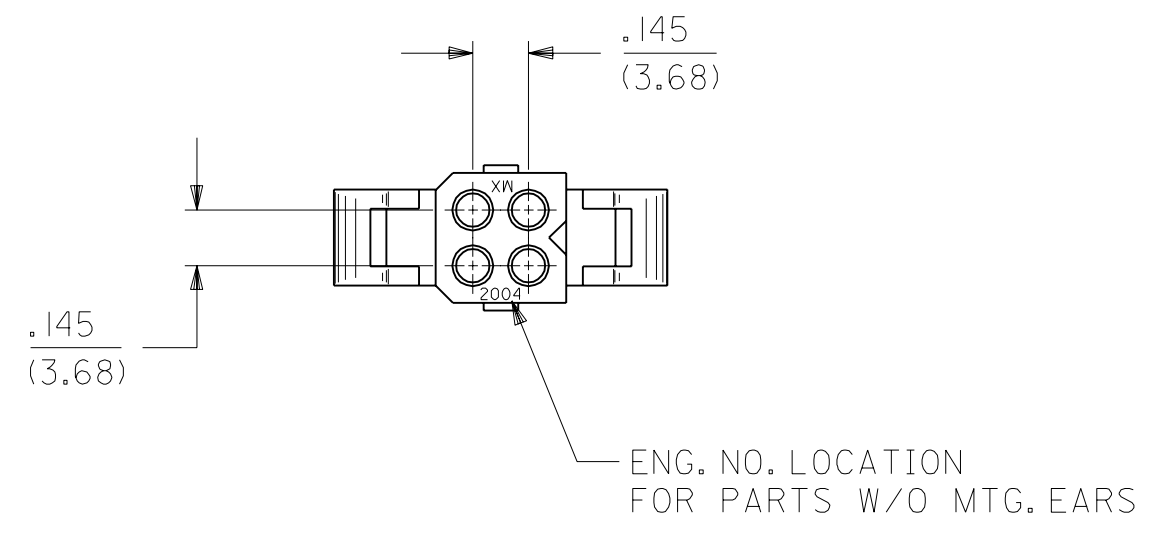


DETAIL 1
POSITIVE LOCK VERSION
ENG. NO. 2004-R5*



ALLOWANCE OF $\frac{.000}{.060}$ (2 PL.) FOR CUT OFF OF MOUNTING EARS
DETAIL 2
RECEPTACLE WITHOUT EARS OR DETENTS, ENG. NO. 2004-R3*



RECEPTACLE HOUSING

| | | | | | |
|--|--------------|--|--|--|--|
| DIMENSIONS SHOWN (METRIC) INCH | | ▽ = 0 ▼ = 0 | | REVISE ONLY ON CAD SYSTEM | |
| UNLESS OTHERWISE SPECIFIED TOLERANCES: ANGULAR ± 10° | | TITLE | | PLUG AND RECEPTACLE HOUSINGS, 4 CIRCUIT .062/(1.57) DIA. | |
| INCH METRIC | | MOLEX INCORPORATED | | SHEET NO. 2 DATE 8/27/91 | |
| 3 PLACE ± .010 --- | --- | L1SLE,ILL. 60532 U.S.A. | | PART NO. SD-2004-* | |
| 2 PLACE ± .014 ± 0.25 | --- | SEE CHART | | DIV. CP C | |
| 1 PLACE --- ± 0.36 | --- | DRAFT WHERE APPLICABLE MUST REMAIN WITHIN DIMENSIONS | | THIS DRAWING CONTAINS INFORMATION THAT IS PROPRIETARY TO MOLEX INC. AND SHOULD NOT BE USED WITHOUT WRITTEN PERMISSION. | |
| DRWG. BY GJC | CHK'D. BY RW | I SEE SHEET I | | FILE NAME H2004C4 S05 | |
| APP'D. BY RS | SCALE 4: 1 | LTR. REVISIONS | | LTR. REVISIONS | |

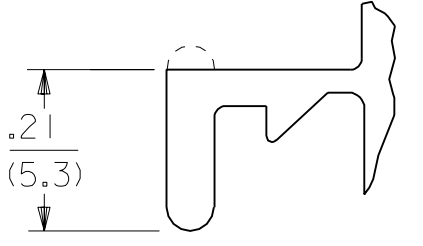
| PLUG | | |
|-------------|-----------|-----------------|
| PART NO. | ENG. NO. | |
| 03-06-2043 | 2004-P | |
| 03-06-7043 | 2004-PBK | |
| 03-06-2044 | 2004-P1 | |
| 03-06-7044 | 2004-P1BK | |
| PRELIMINARY | 2004-P2 | |
| 03-06-7045 | 2004-P1RD | OBSOLETE |
| 03-06-7046 | 2004-P1BN | OBSOLETE |
| 03-06-7047 | 2004-P1OR | OBSOLETE |

| RECEPTACLE | | |
|-------------|-----------|-----------------|
| PART NO. | ENG. NO. | |
| 03-06-1043 | 2004-R | |
| 03-06-6043 | 2004-RBK | |
| 03-06-1044 | 2004-R1 | |
| 03-06-6044 | 2004-R1BK | OBSOLETE |
| 03-06-1046 | 2004-R3 | OBSOLETE |
| 03-06-1052 | 2004-R5 | OBSOLETE |
| 03-06-6052 | 2004-R5BK | OBSOLETE |
| PRELIMINARY | 2004-R2 | |
| 03-06-6045 | 2004-RRD | OBSOLETE |
| 03-06-6046 | 2004-RBN | OBSOLETE |
| 03-06-6048 | 2004-ROR | OBSOLETE |

LEGEND:

2004-***
 P = PLUG
 R = RECEPTACLE
 BLANK = WITH STANDARD EARS
 1 = WITHOUT EARS
 2 = WITH PREBENT EARS
 3 = W/O EARS, W/O DETENTS
 5 = W/O EARS, WITH POSITIVE LOCKS

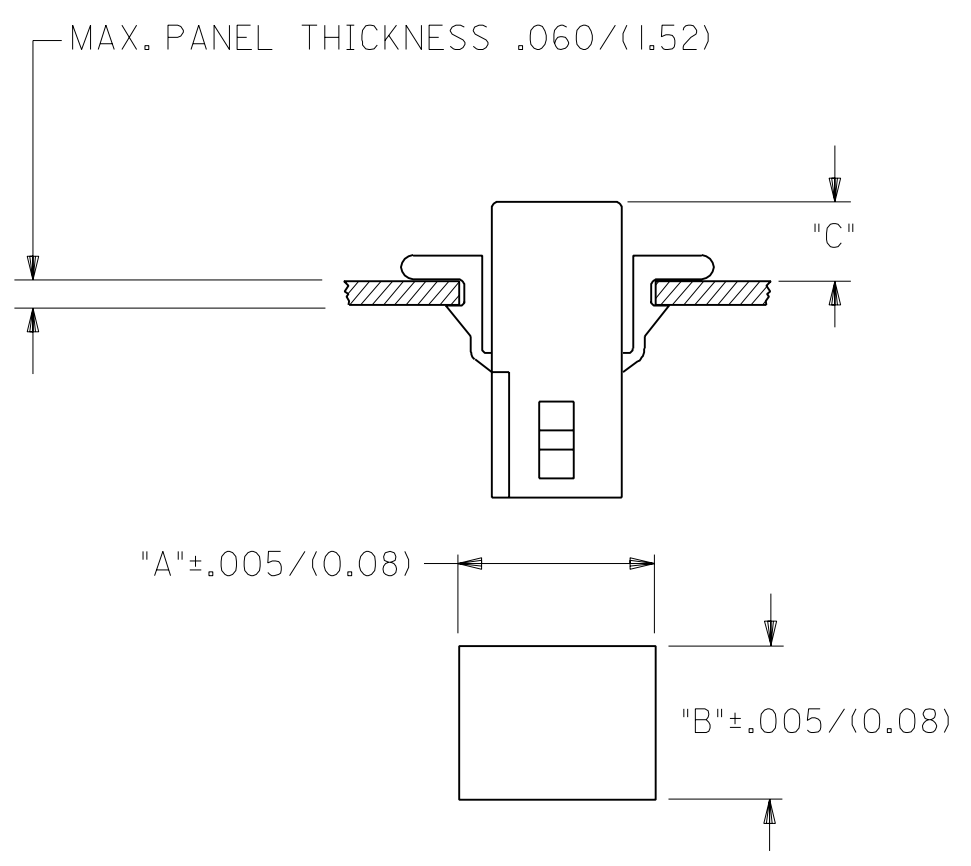
COLOR:
 BLANK = NATURAL
 AM=AMBER BK=BLACK BU=BLUE
 BN=BROWN GY=GRAY GN=GREEN
 OR=ORANGE RD=RED YW=YELLOW



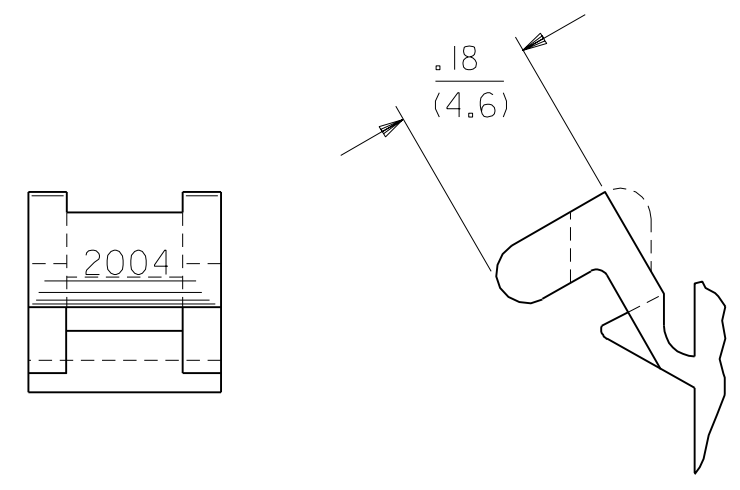
DETAIL 3

STANDARD MOUNTING EARS
(SCALE 4:1)

NOTE:
 THIS DRAWING ENCOMPASSES ALL 2004 SERIES HOUSINGS EXCEPT 2004-R7.



- NOTES:**
- MATERIAL - NYLON TYPE 6/6, 94V-2
 - THIS PRODUCT COMPLIES WITH MOLEX PRODUCT SPEC 02-06.
 - HOUSINGS FOR USE WITH MOLEX .062/(1.57) DIA. SERIES TERMINALS.
 - CIRCUIT I.D. NUMBERS ON SIDE OF HOUSING APPEAR ON PARTS FROM TOOLS BUILT AFTER 8/26/91.
 - THIS DIMENSION .020/(0.51) LESS ON TOOLS BUILT PRIOR TO 8/26/91.



DETAIL 4

PREBENT MOUNTING EARS
(SCALE 4:1)

RECOMMENDED HOLE PATTERN

| HOUSING | DIM. "A" | DIM. "B" | PREBENT EAR DIM. "C" | STD. EAR DIM. "C" |
|------------|-----------------|-----------------|----------------------|-------------------|
| PLUG | .615 (15.62) | .465 (11.81) | .26 (6.6) | .26 (6.6) |
| RECEPTACLE | .506 (12.85) | .400 (10.16) | .24 (6.1) | .24 (6.1) |

| | | | | |
|--|---------------|--|---------|---------------------------|
| DIMENSIONS SHOWN (METRIC) INCH | | ▽ = 0 | ▼ = 0 | REVISE ONLY ON CAD SYSTEM |
| UNLESS OTHERWISE SPECIFIED TOLERANCES: ANGULAR ± 10° | | TITLE | | |
| INCH METRIC | | PLUG AND RECEPTACLE HOUSINGS, 4 CIRCUIT .062/(1.57) DIA. | | |
| 3 PLACE ± .010 | --- | MOLEX INCORPORATED SHEET NO. DATE | | |
| 2 PLACE ± .014 | ± 0.25 | LITSL, ILL. 60532 U.S.A. 3 8/28/91 | | |
| 1 PLACE --- | ± 0.36 | PART NO. DRWG. NO. | | |
| DRAFT WHERE APPLICABLE MUST REMAIN WITHIN DIMENSIONS | | SEE CHART SD-2004-* | | |
| DRWG. BY: JJS | CHK'D. BY: RW | FILE NAME: H2004C4 | DIV. CP | SIZE C |
| APP'D. BY: RS | SCALE: 2 : 1 | THIS DRAWING CONTAINS INFORMATION THAT IS PROPRIETARY TO MOLEX INC. AND SHOULD NOT BE USED WITHOUT WRITTEN PERMISSION. | | |

| LTR. | REVISIONS | LTR. | REVISIONS |
|------|-------------|------|-----------|
| K | SEE SHEET 1 | | |
| J2 | SEE SHEET 1 | | |
| J1 | SEE SHEET 1 | | |
| J | SEE SHEET 1 | | |
| I | SEE SHEET 1 | | |