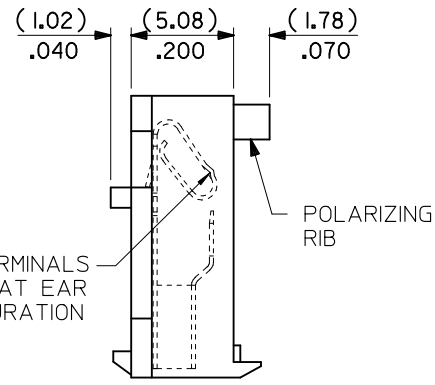
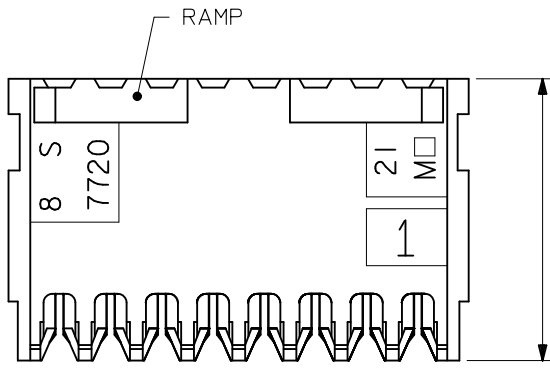


10 9 8 7 6 5 4 3 2 1

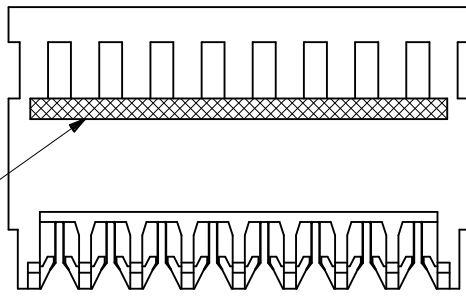
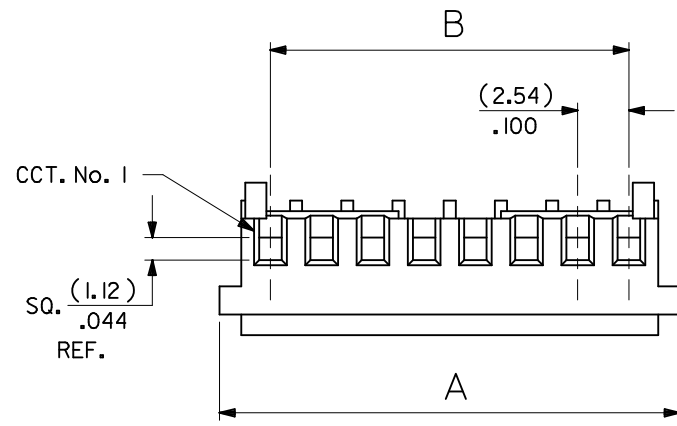


ALL TERMINALS HAVE CAT EAR CONFIGURATION

POLARIZING RIB

BASE No. A-7720S * N * *
 VOID LOC' n.
 TERMINAL DESIGNATION
 No. OF CCTS.
HOUSING CONFIGURATION

WITHOUT BACKWALL (FEED-THRU HOUSING) C. WITH RAMP AND POL. RIB



NOTES:

- MATERIAL: HOUSING: NYLON 6/6, UL94V-2, COLOR: NATURAL, TERMINALS: PHOS. BRONZE
- FINISH: SEE CHARTS
- PRODUCT SPECIFICATION: PS-99020-0088
- PACKAGING: PER PK-7720-100
- VOIDS ARE AVAILABLE WITH PIN WINDOWS MOLDED CLOSED.
- THIS ASSEMBLY IS FOR USE WITH (0.64)/.025 SQ. OR ROUND PINS, INSERTION DEPTH (6.10-7.87)/.240-.310
- THIS ASSEMBLY WILL ACCOMMODATE (1.42)/.056 MAX INSULATION DIA.
- COLOR STRIPE ON FULL LENGTH OF RIB DENOTES WIRE GAUGE (SEE CHART)

NO OF CCTS	DIM. A	DIM. B
2	(7.59) / .299	(2.54) / .100
3	(10.13) / .399	(5.08) / .200
4	(12.67) / .499	(7.62) / .300
5	(15.21) / .599	(10.16) / .400
6	(17.75) / .699	(12.70) / .500
7	(20.29) / .799	(15.24) / .600
8	(22.83) / .899	(17.78) / .700
9	(25.37) / .999	(20.32) / .800
10	(27.91) / 1.099	(22.86) / .900
11	(30.45) / 1.199	(25.40) / 1.000
12	(32.99) / 1.299	(27.94) / 1.100
13	(35.53) / 1.399	(30.48) / 1.200
14	(38.07) / 1.499	(33.02) / 1.300
15	(40.61) / 1.599	(35.56) / 1.400
16	(43.15) / 1.699	(38.10) / 1.500
17	(45.69) / 1.799	(40.64) / 1.600
18	(48.23) / 1.899	(43.18) / 1.700
19	(50.77) / 1.999	(45.72) / 1.800
20	(53.31) / 2.099	(48.26) / 1.900
21	(55.85) / 2.199	(50.80) / 2.000
22	(58.39) / 2.299	(53.34) / 2.100
23	(60.93) / 2.399	(55.88) / 2.200
24	(63.47) / 2.499	(58.42) / 2.300
25	(66.01) / 2.599	(60.96) / 2.400
26	(68.55) / 2.699	(63.50) / 2.500
27	(71.09) / 2.799	(66.04) / 2.600
28	(73.63) / 2.899	(68.58) / 2.700

TERMINAL DESIGNATION	COLOR STRIPE	FOR USE WITH WIRE SIZES:
H	GREEN	24 AWG SOLID, STRANDED TINNED, AND STRANDED TOPCOAT 26 AWG STRANDED TOPCOAT
J	BROWN	26 AWG SOLID AND STRANDED TINNED, 28 AWG SOLID, STRANDED TINNED, AND STRANDED TOPCOAT

CHANGE PLATING EC NO: UCP2011-1314 DRWN:WKIPPER 2010/11/16 CHKD:JBELL APPR:FSM/TH 2011/03/09 X REV	QUALITY SYMBOLS ▽=0 ◻=0	GENERAL TOLERANCES (UNLESS SPECIFIED) <table border="1"> <tr><th colspan="2">mm</th><th colspan="2">INCH</th></tr> <tr><td>4 PLACES</td><td>± ---</td><td>± ---</td><td></td></tr> <tr><td>3 PLACES</td><td>± ---</td><td>± .005</td><td></td></tr> <tr><td>2 PLACES</td><td>± 0.13</td><td>± .010</td><td></td></tr> <tr><td>1 PLACE</td><td>± 0.25</td><td>± ---</td><td></td></tr> </table>	mm		INCH		4 PLACES	± ---	± ---		3 PLACES	± ---	± .005		2 PLACES	± 0.13	± .010		1 PLACE	± 0.25	± ---		DIMENSION STYLE MM/IN DRAWN BY: GCH DATE: 23/12/86 CHECKED BY: D.MORIARTY DATE: 23/12/86 APPROVED BY: J.DENNEHY DATE: 23/12/86 MATERIAL NO.	SCALE: --- DESIGN UNITS: METRIC THIRD ANGLE PROJECTION
	mm		INCH																					
4 PLACES	± ---	± ---																						
3 PLACES	± ---	± .005																						
2 PLACES	± 0.13	± .010																						
1 PLACE	± 0.25	± ---																						
DRAFT WHERE APPLICABLE MUST REMAIN WITHIN DIMENSIONS SIZE: A3 THIS DRAWING CONTAINS INFORMATION THAT IS PROPRIETARY TO MOLEX INCORPORATED AND SHOULD NOT BE USED WITHOUT WRITTEN PERMISSION	TITLE: KK (2.54)/.100 INSULATION DISPLACEMENT CONNECTOR ASSEMBLY MOLEX INCORPORATED DOCUMENT NO. SDA-7720S-*N* SHEET NO. 1 OF 3																							

9 8 7 6 5 4 3 2 1

PART NO.	ENG. NO.	CCTS.	TERMINAL	I.D. STRIPE	PLTG.
22-50-3025	A-7720S-C 2H	2	41512-H(154)	GREEN	(0.00254)/.000100 MIN. TIN OVER (0.00127)/.000050 MIN. NICKEL
↑ 3035	↑ C 3H	3	↑	↑	
3045	C 4H	4			
3055	C 5H	5			
3065	C 6H	6			
3075	C 7H	7			
3085	C 8H	8			
3095	C 9H	9			
3105	C 10H	10			
3115	C 11H	11			
3125	C 12H	12			
3135	C 13H	13			
3145	C 14H	14			
3155	C 15H	15			
3165	C 16H	16			
3175	C 17H	17			
3185	C 18H	18			
3195	C 19H	19			
3205	C 20H	20			
3215	C 21H	21			
3225	C 22H	22			
3235	C 23H	23			
3245	C 24H	24			
3255	C 25H	25			
3265	C 26H	26			
↓ 3275	↓ C 27H	27	↓	↓	
22-50-3285	A-7720S-C28H	28	41512-H(154)	GREEN	

NOTE:

1. 18 - 28 CIRCUITS ARE NON-STANDARD.

CHANGE PLATING EC NO: UCP/2011-1314 DRWN:WK/IPPER 2010/11/16 CHKD:JBELL APPR:FSM/TH 2011/03/09	QUALITY SYMBOLS	GENERAL TOLERANCES (UNLESS SPECIFIED)	DIMENSION STYLE	SCALE	DESIGN UNITS	THIRD ANGLE PROJECTION	
	▼=0 □=0	mm INCH	MM/IN	---	METRIC		
		4 PLACES ± --- ± ---	DRAWN BY DATE	TITLE			
		3 PLACES ± --- ± ---	CHECKED BY DATE	KK (2.54)/.100 INSULATION DISPLACEMENT CONNECTOR ASSEMBLY			
	2 PLACES ± --- ± ---	APPROVED BY DATE	MOLEX INCORPORATED MOLEX				
	1 PLACE ± --- ± ---	MATERIAL NO.	DOCUMENT NO.				
	ANGULAR ± ---°	SEE CHART	SDA-7720S-*N*				
	DRAFT WHERE APPLICABLE MUST REMAIN WITHIN DIMENSIONS	SIZE	SHEET NO.				
		A3	2 OF 3				
		THIS DRAWING CONTAINS INFORMATION THAT IS PROPRIETARY TO MOLEX INCORPORATED AND SHOULD NOT BE USED WITHOUT WRITTEN PERMISSION					