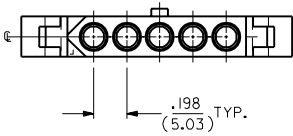
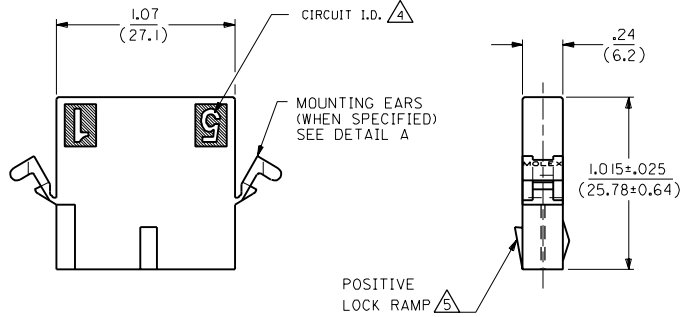
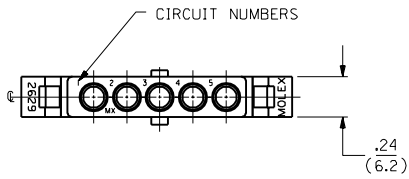
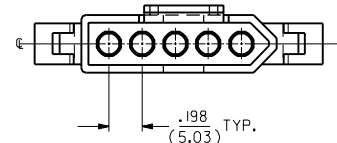
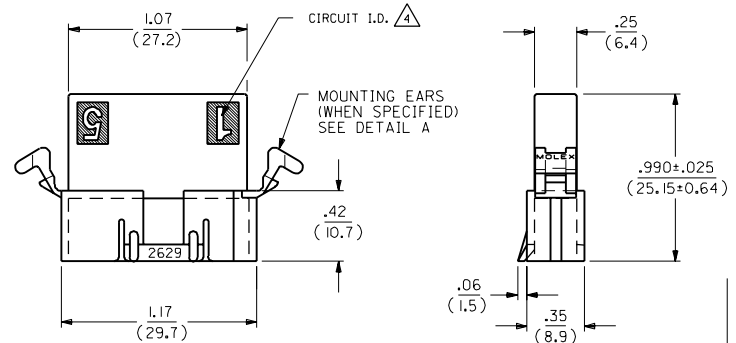
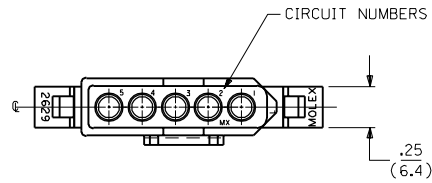


# RECEPTACLE



VIEW OF RECEPTACLE VERSION  
WITH PASSIVE LOCK RAMPS

# PLUG



J	REVISED PER ECN # U61508 05/31/96 CM
I	X-REMOVE -R2 ECN # U6 1080 3-6-96 RW
K	ADD PASSIVE LOCKS ECN # U5 0529 11-30-94 RW
J	ADD -P2 W/EDP # ECR U3 0450 GC 4/1/93 RW
I	X-REMOVE ECR U2 1105 GC 1/29/92 RW
HI	ADD -C MAT'L PER ECR U2 0741 GC 5/7/92 RW
H	REVISE PER ECR U1 2237 GC 1/9/92 RW
G	REVISED & REDRAWN ECR # UB1801 KBW 02-03-89 RW

2	J	
1	J	

DIMENSIONS SHOWN METRIC (INCH)  $\nabla = 0$   $\blacktriangledown = 0$

UNLESS OTHERWISE SPECIFIED TOLERANCES: ANGULAR  $\pm$  DR8

INCH	METRIC
3 PLACE $\pm$ .010	---
2 PLACE $\pm$ .014	$\pm$ 0.25
1 PLACE ---	$\pm$ 0.35

DRAFT WHERE APPLICABLE MUST REMAIN WITHIN DIMENSIONS

TITLE: .093/(2.36) HOUSINGS PLUG & RECEPTACLE 5 CIRCUIT  $\pm$  .198/(5.03)  $\text{\textcircled{C}}$

PART NO. SEE CHART DRWG. NO. SD-2629-\*

MOLEX INCORPORATED L15LEJLL 60532 U.S.A. SHEET NO. 1 OF 2 DATE 2/3/89

DRWG. BY: KBW CHKD. BY: RW FILE NAME: S26295X1 DWG. SCALE: 2:1

APPR'D. BY: RAS

THIS DRAWING CONTAINS INFORMATION THAT IS PROPRIETARY TO MOLEX INC. AND SHOULD NOT BE USED WITHOUT WRITTEN PERMISSION.

13	12	11	10	9	8	7	6	2629	4	3	2	1
PLUG		RECEPTACLE										
ORDER NO	ENG NO	ORDER NO	ENG NO									
03-09-2057	2629-P1	03-09-1057	2629-R1									
PRELIMINARY	2629-P	PRELIMINARY	2629-R									
		03-09-1054	2629-R2									

**LEGEND:**

2629-\*\*\*\*-\*

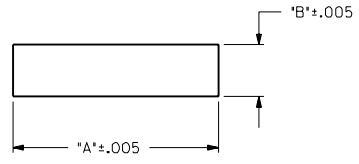
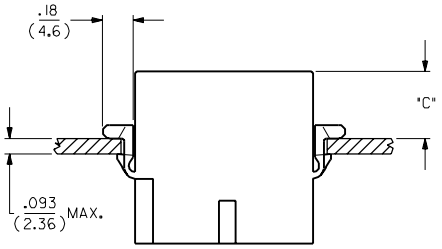
TYPE: \_\_\_\_\_  
P = PLUG  
R = RECEPTACLE

PLUG FEATURES: \_\_\_\_\_  
BLANK = WITH PREBENT EARS  
1 = WITHOUT EARS

RECEPTACLE FEATURES: \_\_\_\_\_  
BLANK = WITH PREBENT EARS, WITH POSITIVE LOCK RAMP  
1 = WITHOUT EARS, WITH POSITIVE LOCK RAMP  
2 = WITHOUT EARS, WITH PASSIVE LOCK RAMPS

COLOR: \_\_\_\_\_  
BLANK = NATURAL COLOR  
AM = AMBER BK = BLACK BU = BLUE  
BN = BROWN GY = GRAY GN = GREEN  
OR = ORANGE RD = RED YW = YELLOW

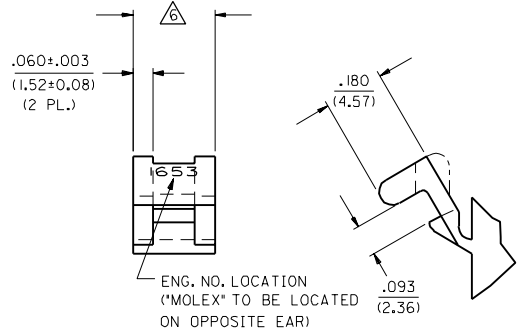
MATERIAL: \_\_\_\_\_  
BLANK = NYLON TYPE 66, 94V-2 PER SMES-128-A-\*



**RECOMMENDED PANEL OPENING**

HOUSING	DIM. 'A'	DIM. 'B'	'C' PREBENT EAR
PLUG	1.33/(13.78)	.42/(10.67)	.40/(10.1)
RECEPT.	1.23/(31.24)	.31/(7.87)	.42/(10.6)

- NOTES:
- MOLEX PRODUCT SPEC 02-09 APPLIES.
  - 2629-P\* (PLUG) WILL ACCEPT 2629-R\* 5 CIRCUIT RECEPTACLES OR 1490-R\* 4 CIRCUIT RECEPTACLE.
  - ACCEPTS MOLEX .093 SERIES TERMINALS.
  - CIRCUIT I.D. NUMBERS ON HOUSING APPEAR ON PARTS FROM TOOLS BUILT AFTER 1/6/92.
  - LOCK RAMP ON THIS SIDE OF PART AVAILABLE IN EITHER A POSITIVE LOCK RAMP OR PASSIVE LOCK RAMP STYLE.
  - FOR DIMENSION, SEE SHEET 1.



**DETAIL A**  
.093/(2.36) PREBENT MOUNTING EAR  
(SCALE 4:1)

		I	SEE SHEET I	DIMENSIONS SHOWN METRIC (INCH)		▽=0 ▼=0		REVISE ONLY ON CAD SYSTEM	
		K	SEE SHEET I	UNLESS OTHERWISE SPECIFIED TOLERANCES: ANGULAR ± .04°		TITLE			
		J	SEE SHEET I	INCH METRIC		.093/(2.36) HOUSINGS			
		I	SEE SHEET I	3 PLACE ± .010 ---		PLUG & RECEPTACLE			
		HI	SEE SHEET I	2 PLACE ± .014 ± 0.25		5 CIRCUIT .198/(5.03)C			
		H	SEE SHEET I	1 PLACE --- ± 0.35		MOLEX INCORPORATED		SHEET NO. 2 DATE 2/3/89	
		J	SEE SHEET I	DRAFT WHERE APPLICABLE MUST REMAIN WITHIN DIMENSIONS		L15LEJLL 60532 U.S.A.			
		LTR.	REVISIONS	DRWG. BY KBW		SEE CHART		SD-2629-*	
		LTR.	REVISIONS	CHKD. BY RW		FILE NAME		DIV. SIZE	
				APP'D. BY RAS		SCALE 2:1		CP C	