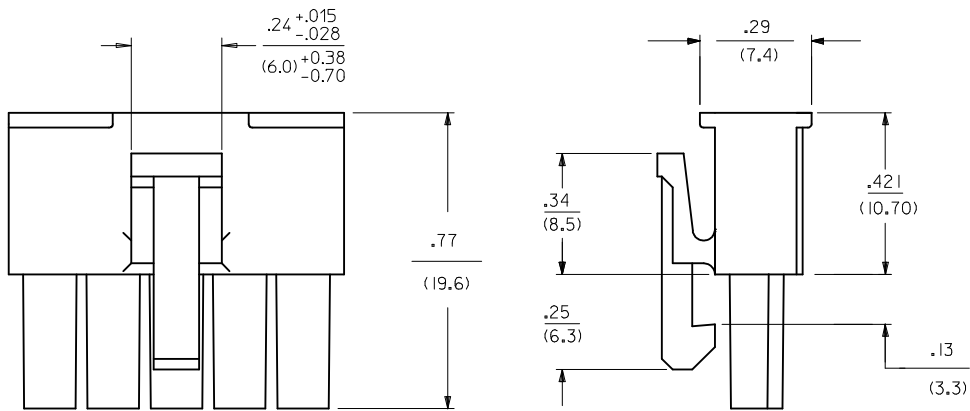
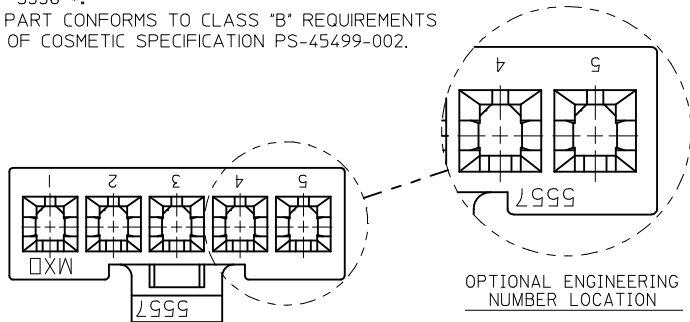


NOTES:

- 1) MATERIAL:
 BLANK: NYLON 6/6, 94V-2, COLOR: NATURAL.
 210 : NYLON 6/6, 94V-0, COLOR: NATURAL.
 400 : NYLON 6/6, 94V-0, COLOR: BLACK.
- 2) FINISH: NOT APPLICABLE
- 3) PRODUCT SPECIFICATION: PS-5556-001
- 4) PACKAGING SPECIFICATION: PK-5557-002
- 5) PART MATES WITH MOLEX PLUG *5559-*, VERTICAL HEADER *5566-*, AND RIGHT-ANGLE HEADER *5569-*
- 6) PART IS FOR USE WITH MOLEX FEMALE TERMINAL *5556-*
- 7) PART CONFORMS TO CLASS "B" REQUIREMENTS OF COSMETIC SPECIFICATION PS-45499-002.

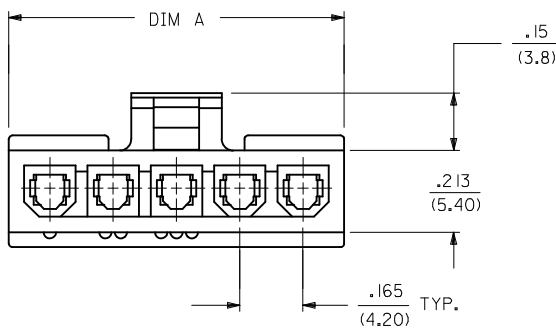
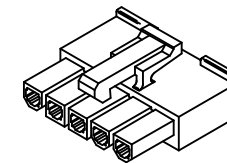
CKT SIZE	DIM A
2	.378 (9.60)
4	.709 (18.00)
5	.874 (22.20)
6	1.039 (26.40)
7	1.205 (30.60)
8	1.370 (34.80)
9	1.535 (39.00)
10	1.701 (43.20)
11	1.866 (47.40)
12	2.031 (51.60)

PART NUMBER	ENG. NUMBER	CKT. SIZE	MATERIAL (SEE NOTE 1)
39-01-4020	5557-02R2	2	94V-2
39-01-4021	5557-02R2-210	2	94V-0
39-01-4040	5557-04R2	4	94V-2
39-01-4041	5557-04R2-210	4	94V-0
46999-0503	5557-04R2-400	4	94V-0
39-01-4050	5557-05R2	5	94V-2
39-01-4051	5557-05R2-210	5	94V-0
50-30-4447	5557-05R2-400	5	94V-0
39-01-4060	5557-06R2	6	94V-2
39-01-4061	5557-06R2-210	6	94V-0
39-01-4070	5557-07R2	7	94V-2
39-01-4071	5557-07R2-210	7	94V-0
39-01-4080	5557-08R2	8	94V-2
39-01-4081	5557-08R2-210	8	94V-0
39-01-4090	5557-09R2	9	94V-2
39-01-4091	5557-09R2-210	9	94V-0
39-01-4100	5557-10R2	10	94V-2
39-01-4101	5557-10R2-210	10	94V-0
39-01-4110	5557-11R2	11	94V-2
39-01-4111	5557-11R2-210	11	94V-0
39-01-4120	5557-12R2	12	94V-2
39-01-4121	5557-12R2-210	12	94V-0



LEGEND:

- CKT. SIZE (02, 04-12) ———— 5557-*** R2-****-***
- RECEPTACLE (SINGLE ROW) ————
- MATERIAL OPTION: (SEE NOTE 1) ————
- COLOR:
 - *BLANK* = NATURAL
 - *BL* = BLACK



ADD TOL TO 6.0 DIM EC NO: UCP2014-0298 DRW: NGUYEN 2013/08/06 CHKD: BELL 2013/08/06 APPR: FSMITH 2013/08/16	QUALITY SYMBOLS ∇=0 ∇=0 ∇=0	GENERAL TOLERANCES (UNLESS SPECIFIED)		DIMENSION STYLE IN/MM		SCALE 4:1	DESIGN UNITS METRIC	THIRD ANGLE PROJECTION	
				DRAWN BY KSS	DATE 2/15/89	TITLE MINI-FIT JR. RECEPTACLE (SINGLE ROW)			
				CHECKED BY RJF	DATE 2/15/89				
				APPROVED BY FSMITH		DATE 2012/05/04	MATERIAL NO. SEE CHART		
		ANGULAR ±1/2°		DOCUMENT NO. SD-5557-NR2*	SHEET NO. 1 OF 1				
		DRAFT WHERE APPLICABLE MUST REMAIN WITHIN DIMENSIONS							THIS DRAWING CONTAINS INFORMATION THAT IS PROPRIETARY TO MOLEX INCORPORATED AND SHOULD NOT BE USED WITHOUT WRITTEN PERMISSION