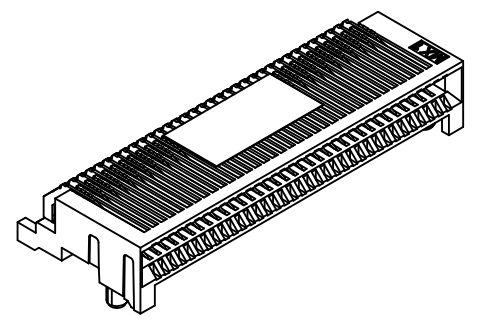


68 CIRCUIT ASSEMBLY SHOWN

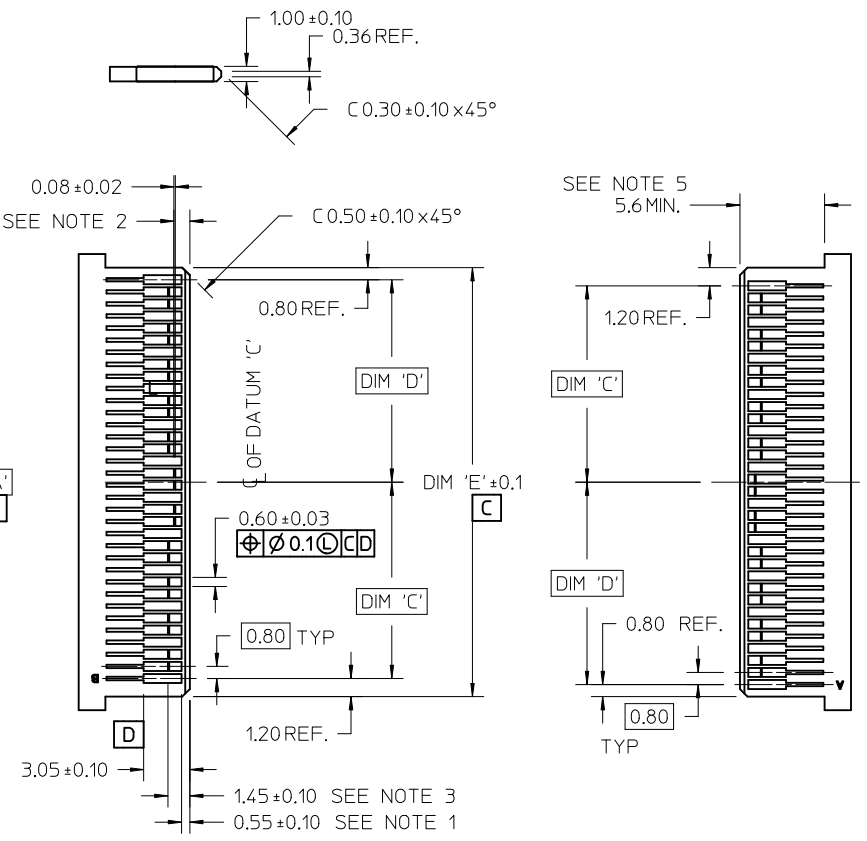
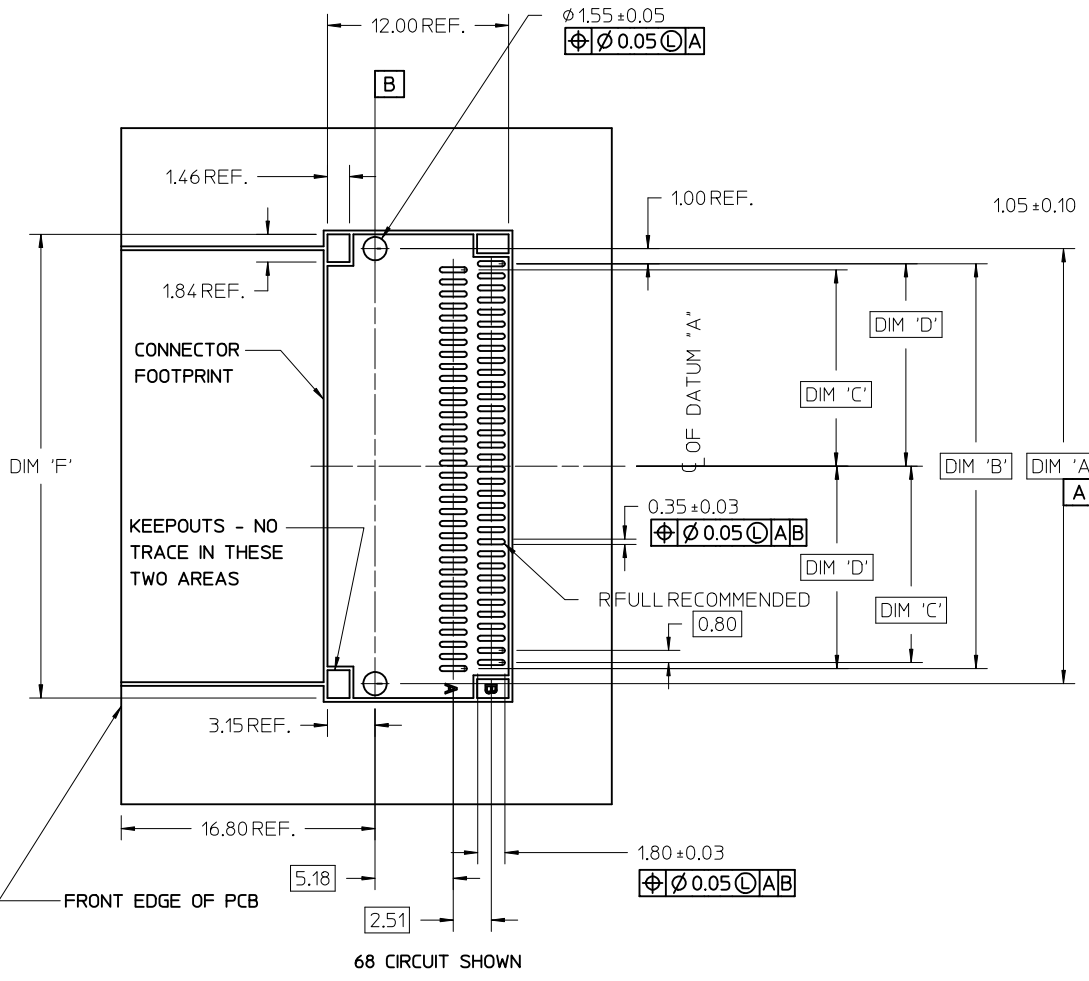


CIRCUIT SIZE	ITEM NUMBER	PLATING OPTION	DIM 'A'	DIM 'B'	DIM 'C'
26	75586-0004	OPTION 1	13.40	11.80	12.00
26	75586-0009	OPTION 2	13.40	11.80	12.00
36	75586-0003	OPTION 1	17.40	15.80	16.00
36	75586-0008	OPTION 2	17.40	15.80	16.00
38	75586-0010	OPTION 1	18.20	16.60	16.80
38	75586-0011	OPTION 2	18.20	16.60	16.80
50	75586-0001	OPTION 1	23.00	21.40	21.60
50	75586-0006	OPTION 2	23.00	21.40	21.60
68	75586-0002	OPTION 1	30.20	28.60	28.80
68	75586-0007	OPTION 2	30.20	28.60	28.80

- NOTES
- MATERIAL:  
HOUSING - HIGH TEMPERATURE THERMOPLASTIC GLASS FILLED, UL 94V-0, BLACK  
TERMINALS - COPPER ALLOY
  - PLATING:  
OPTION 1  
CONTACT AREA - 0.38 μm MIN GOLD OVER 2.54 μm MIN NICKEL  
SOLDER FOOT AREA - 2.54 - 5.09 μm TIN OVER 1.27 μm MIN NICKEL.  
OPTION 2  
CONTACT AREA - 0.76 μm MIN GOLD OVER 2.54 μm NICKEL  
SOLDER AREA - 2.54 - 5.09 μm TIN OVER 1.27 μm MIN NICKEL
  - TERMINAL SOLDER FEET TO BE COPLANAR WITHIN 0.10/004 MEASURED FROM FRONT HOUSING STAND OFF (DATUM E)
  - DATE CODE: 4 DIGIT (3 DIGIT DATE, 1 DIGIT YEAR)
  - CIRCUIT IDENTIFIER: SEE APPROPRIATE INDUSTRY SPECIFICATION FOR LOCATION OF PIN 1
  - TO BE USED WITH EXTERNAL CABLES (74546 & 74547 SERIES) AND GUIDE FRAMES (74540 & 74548 SERIES)
  - TESTER/ANALYZER CABLES AVAILABLE (74557 & 74558 SERIES)
  - PACKAGED PER PACKAGING SPECIFICATION: PK-75586-002
  - CONFORMS TO PRODUCT SPECIFICATION: PS-75586-001
  - THIS PART CONFORMS TO CLASS C REQUIREMENTS OF COSMETIC SPECIFICATION PS-45499-002.

iPass™ IS A TRADEMARK OF MOLEX

REVISED NOTE 2 IEC NO: UCP2012-4064 DRWN: TMCLELL 2012/06/26 CHKD: APPR: MBANAKIS 2012/06/28 REV: G2	QUALITY SYMBOLS	GENERAL TOLERANCES (UNLESS SPECIFIED)	DIMENSION STYLE MM ONLY	SCALE 4:1	DESIGN UNITS METRIC	THIRD ANGLE PROJECTION
	▽=0	mm INCH	DRAWN BY DATE KREGNIER 07/28/04	TITLE I-PASS R/A CONNECTOR EXTERNAL ASSEMBLY .8 MM PITCH I/O	DOCUMENT NO. SD-75586-001	SHEET NO. 1 OF 3
	▽=0	4 PLACES ± --- ± ---	CHECKED BY DATE JLONG 07/29/04			
	▽=0	ANGULAR ±1/2°	1 PLACE ±0.13 ± ---	APPROVED BY DATE RNELSON 07/30/04	THIS DRAWING CONTAINS INFORMATION THAT IS PROPRIETARY TO MOLEX INCORPORATED AND SHOULD NOT BE USED WITHOUT WRITTEN PERMISSION	
	DRAFT WHERE APPLICABLE MUST REMAIN WITHIN DIMENSIONS	0 PLACE ± ±	SIZE C			

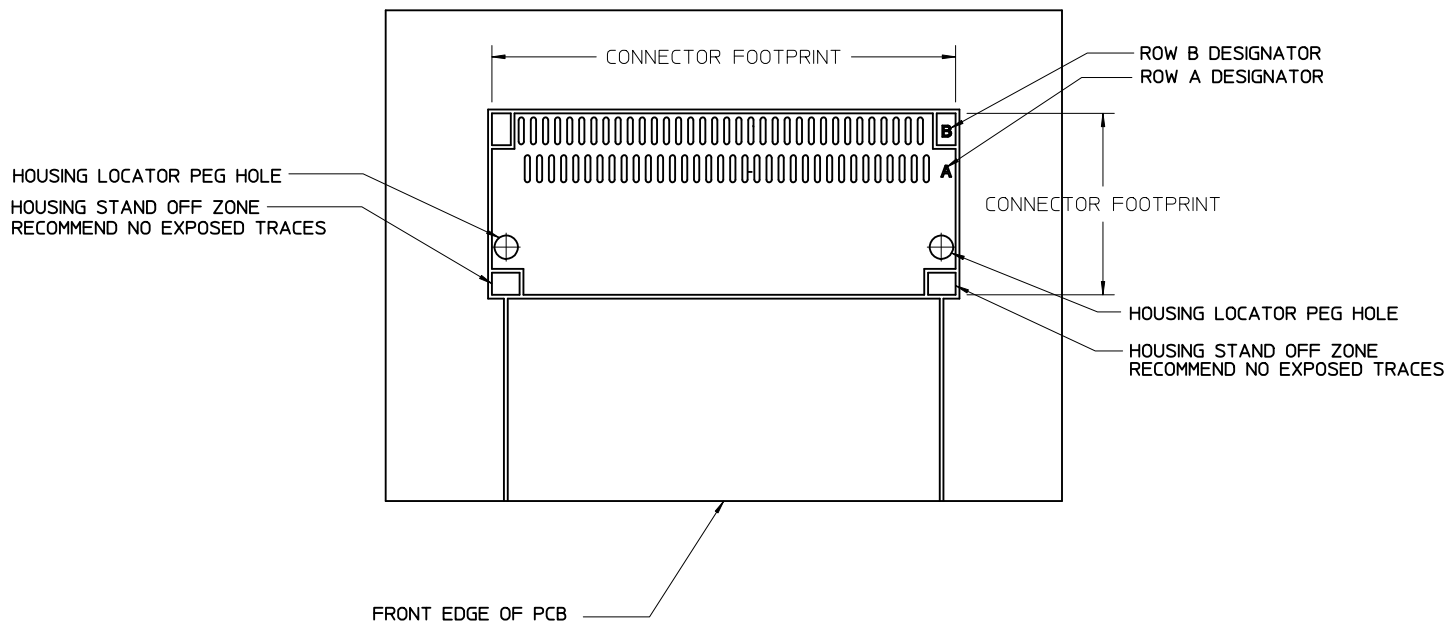


- NOTES:**
- PAD CONFIGURATION FOR FIRST MATE.
  - PAD CONFIGURATION FOR SECOND MATE.
  - PAD CONFIGURATION FOR THIRD MATE (HIGH SPEED SIGNALS).
  - FOR PIN ASSIGNMENTS AND MATING SEQUENCE (1ST, 2ND, 3RD), SEE APPLICABLE SPECIFICATION.
  - MINIMUM STEP REQUIRED IF PCB MADE WIDER THAN CARD TOUNGE.
  - SEE 74540 OR 74548 SERIES FOR GUIDE FRAME FOOT PRINT AND KEEP OUT AREA.

iPass™ IS A TRADEMARK OF MOLEX

CIRCUIT SIZE	TERM/SIDE 'N'	DIMENSIONS					
		DIM 'A'	DIM 'B'	DIM 'C'	DIM 'D'	DIM 'E'	DIM 'F'
26	13	12.00	10.00	4.60	5.00	11.60	13.90
36	18	16.00	14.00	6.60	7.00	15.60	17.90
38	19	16.80	14.80	7.00	7.40	16.40	18.70
50	25	21.60	19.60	9.40	9.80	21.20	23.50
68	34	28.80	26.80	13.00	13.40	28.40	30.70

<b>SEE SHEET 1</b> EC NO: UCP2012-4064 DRWN:MCLELL 2012/06/26 CHKD: APPR:MBANAKIS 2012/06/28 <b>G2</b>	QUALITY SYMBOLS 	GENERAL TOLERANCES (UNLESS SPECIFIED) <table border="1"> <tr> <th></th> <th>mm</th> <th>INCH</th> </tr> <tr> <td>4 PLACES</td> <td>± 0.13</td> <td>± 0.005</td> </tr> <tr> <td>3 PLACES</td> <td>± 0.25</td> <td>± 0.010</td> </tr> <tr> <td>2 PLACES</td> <td>± 0.38</td> <td>± 0.015</td> </tr> <tr> <td>1 PLACE</td> <td>± 0.51</td> <td>± 0.020</td> </tr> <tr> <td>0 PLACE</td> <td>± 0.64</td> <td>± 0.025</td> </tr> </table>		mm	INCH	4 PLACES	± 0.13	± 0.005	3 PLACES	± 0.25	± 0.010	2 PLACES	± 0.38	± 0.015	1 PLACE	± 0.51	± 0.020	0 PLACE	± 0.64	± 0.025	DIMENSION STYLE <b>MM ONLY</b> DRAWN BY DATE KREGNIER 07/28/04 CHECKED BY DATE JLONG 07/29/04 APPROVED BY DATE RNELSON 07/30/04	SCALE <b>4:1</b> DESIGN UNITS <b>METRIC</b> THIRD ANGLE PROJECTION	<b>I-PASS R/A CONNECTOR          EXTERNAL ASSEMBLY          .8 MM PITCH I/O</b> <b>molex</b>	MATERIAL NO. <b>SEE CHART</b> DOCUMENT NO. <b>SD-75586-001</b>	SHEET NO. <b>2 OF 3</b>
		mm	INCH																						
	4 PLACES	± 0.13	± 0.005																						
	3 PLACES	± 0.25	± 0.010																						
	2 PLACES	± 0.38	± 0.015																						
1 PLACE	± 0.51	± 0.020																							
0 PLACE	± 0.64	± 0.025																							
ANGULAR ±1/2° DRAFT WHERE APPLICABLE MUST REMAIN WITHIN DIMENSIONS		THIS DRAWING CONTAINS INFORMATION THAT IS PROPRIETARY TO MOLEX INCORPORATED AND SHOULD NOT BE USED WITHOUT WRITTEN PERMISSION																							



iPass™ IS A TRADEMARK OF MOLEX

SEE SHEET 1 EC NO: UCP2012-4064 DRAWN: TMCLELL 2012/06/26 CHKD: APPR: MBANAKIS 2012/06/28	QUALITY SYMBOLS	GENERAL TOLERANCES (UNLESS SPECIFIED)	DIMENSION STYLE	SCALE	DESIGN UNITS	THIRD ANGLE PROJECTION
	▽=0	mm INCH	MM ONLY	4:1	METRIC	
	▽=0	4 PLACES ± --- ± ---	DRAWN BY DATE	TITLE I-PASS R/A CONNECTOR EXTERNAL ASSEMBLY .8 MM PITCH I/O <b>molex</b>		
	▽=0	3 PLACES ± --- ± ---	KREGNIER 07/28/04			
REV	DESCRIPTION	ANGULAR ±1/2°	CHECKED BY DATE	DOCUMENT NO. SD-75586-001 SHEET NO. 3 OF 3		
G2		DRAFT WHERE APPLICABLE MUST REMAIN WITHIN DIMENSIONS	JLONG 07/29/04			
			APPROVED BY DATE	THIS DRAWING CONTAINS INFORMATION THAT IS PROPRIETARY TO MOLEX INCORPORATED AND SHOULD NOT BE USED WITHOUT WRITTEN PERMISSION		
			RNELSON 07/30/04			