

**HEADERS CODINGS**

(CODING 2 SHOWN)

HEADER'S CODINGS FOR MODULE T2 (32W)					
COLOR	CODING	DIM. A	DIM. B	DIM. C	DIM. D
BLACK	1	9.1	4.3	5.9	4.3
GREY	2	7.5	5.9	9.1	5.9
BROWN	3	5.9	7.5	9.1	9.1
GREEN	4	7.5	9.1	4.3	4.3
BLUE	5	4.3	7.5	5.9	5.9
YELLOW	6	9.1	7.5	4.3	7.5

(CODING 3 SHOWN)

HEADER'S CODINGS FOR MODULE T3 (48W)					
COLOR	CODING	DIM. A	DIM. B	DIM. C	DIM. D
BLACK	1	12.9	6.3	8.5	6.3
GREY	2	10.7	8.5	12.9	8.5
BROWN	3	8.5	10.7	12.9	12.9
GREEN	4	10.7	12.9	6.3	6.3
BLUE	5	6.3	10.7	8.5	8.5
YELLOW	6	12.9	10.7	6.3	10.7

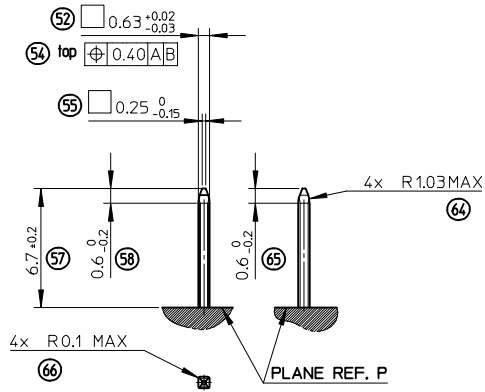
**NOTE:**

- 1- INTERFACE DEFINITION BASED ON NFR13-462 STANDARD.
- 2- HEADER: ELASTICITY MODULUS: 8000Mpa min. (INITIAL CONDITION BEFORE AGEING)

<b>ENTER DESCRIPTION</b> EC NO: G2010-0220 DRAWN: POCHELE 2010/05/20 CHKD: J. GIURIATO 2008/10/03 APPR: CBOU/CHAN 2010/06/29	<b>DESCRIPTION</b> GENERAL TOLERANCES (UNLESS SPECIFIED) <table border="1"> <tr> <th></th> <th>mm</th> <th>INCH</th> </tr> <tr> <td>4 PLACES</td> <td>± ---</td> <td>± ---</td> </tr> <tr> <td>3 PLACES</td> <td>± ---</td> <td>± ---</td> </tr> <tr> <td>2 PLACES</td> <td>± 0.10</td> <td>± ---</td> </tr> <tr> <td>1 PLACE</td> <td>± 0.10</td> <td>± ---</td> </tr> </table> ANGULAR ± 2 ° DRAFT WHERE APPLICABLE MUST REMAIN WITHIN DIMENSIONS		mm	INCH	4 PLACES	± ---	± ---	3 PLACES	± ---	± ---	2 PLACES	± 0.10	± ---	1 PLACE	± 0.10	± ---	DIMENSION STYLE <b>MM ONLY</b>	SCALE <b>2:1</b>	DESIGN UNITS <b>METRIC</b>	FIRST ANGLE PROJECTION
			mm	INCH																
4 PLACES	± ---	± ---																		
3 PLACES	± ---	± ---																		
2 PLACES	± 0.10	± ---																		
1 PLACE	± 0.10	± ---																		
DRAWN BY: G. DESBRUERES 2008/10/02 CHECKED BY: J. GIURIATO 2008/10/03 APPROVED BY: O. PLESSIS 2008/10/06 MATERIAL NO. N/A	DATE: 2008/10/02 DATE: 2008/10/03 DATE: 2008/10/06	TITLE <b>INTERFACES FOR CONNECTOR 32 &amp; 48 CKT CMC</b> <b>GENERIC SALES DRAWING</b>	MOLEX INCORPORATED	DOCUMENT NO. <b>SD-98644-006</b>	SHEET NO. <b>1 OF 3</b>															

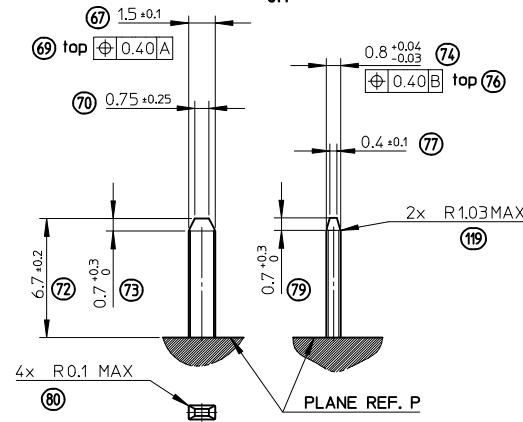
**PINS 0.635 DEFINITION**

5:1



**TABS 1.5 DEFINITION**

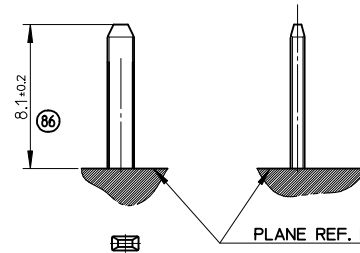
5:1



**GROUND TABS 1.5 DEFINITION**

5:1

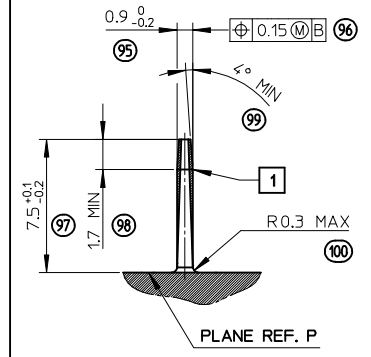
FOR OTHER DIMENSIONS  
SEE TABS 1.5 DEFINITION



**PROTECTION WALL DEFINITION**

5:1

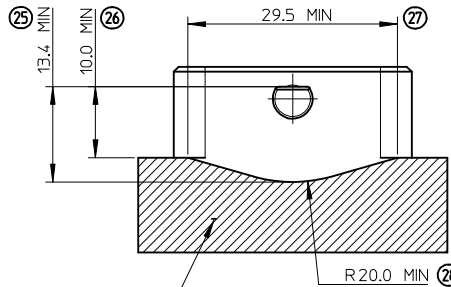
1 :SHAPES ALLOWED



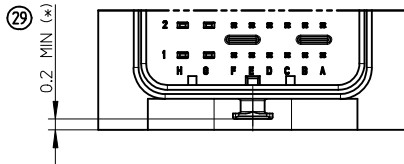
**LOCKING AXIS PROTECTION**

2:1

MANDATORY OVERTHICKNESS: dimension noted (\*)  
IF THE LOCKING AXIS ARE OUT OF  
EQUIPMENT OVERALL DIMENSIONS.

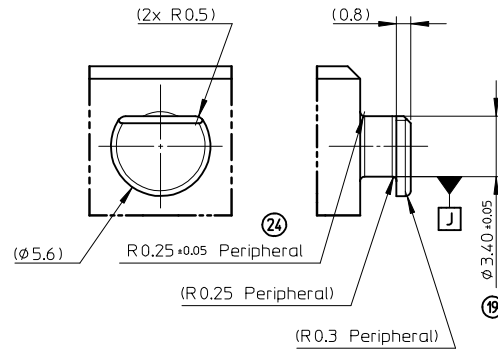


ADMISSIBLE SHAPES WITH OVERTHICKNESS 0.2 MIN (\*)



**LOCKING AXIS DEFINITION**

5:1



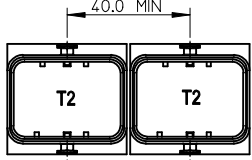
<b>ENTER DESCRIPTION</b> EC NO: G2010-0220 DRAWN: POCHELE 2010/05/20 CHKD: J. GIURIATO 2008/10/03 APPR: CBOUGHAN 2010/06/29	GENERAL TOLERANCES (UNLESS SPECIFIED)		DIMENSION STYLE <b>MM ONLY</b>		SCALE 1:1	DESIGN UNITS METRIC	FIRST ANGLE PROJECTION
	4 PLACES	± ---	± ---	DRAWN BY G. DESBRUERES	DATE 2008/10/02	TITLE INTERFACES FOR CONNECTOR 32 & 48 CKT CMC GENERIC SALES DRAWING	
	3 PLACES	± ---	± ---	CHECKED BY J. GIURIATO	DATE 2008/10/03	MOLEX INCORPORATED	
	2 PLACES	± 0.10	± ---	APPROVED BY O. PLESSIS	DATE 2008/10/06	DOCUMENT NO. SD-98644-006	SHEET NO. 2 OF 3
1 PLACE	± 0.10	± ---	ANGULAR ± 2 °		MATERIAL NO. N/A		THIS DRAWING CONTAINS INFORMATION THAT IS PROPRIETARY TO MOLEX INCORPORATED AND SHOULD NOT BE USED WITHOUT WRITTEN PERMISSION
DRAFT WHERE APPLICABLE MUST REMAIN WITHIN DIMENSIONS							

# CONNECTOR ON HEADER - OVERALL DIMENSIONS

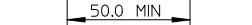
MULTI-HEADERS LAYOUT

### LAYOUT FOR TWO INTERFACES T2 (32W)

FOR SAME HARNESS EXIT CONFIGURATION

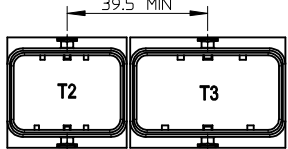


FOR OPPOSITE HARNESS EXIT CONFIGURATION

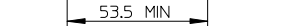


### LAYOUT FOR TWO INTERFACES T2 (32W) AND T3 (48W)

FOR SAME HARNESS EXIT CONFIGURATION

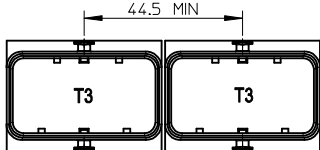


FOR OPPOSITE HARNESS EXIT CONFIGURATION

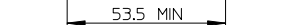


### LAYOUT FOR TWO INTERFACES T3 (48W)

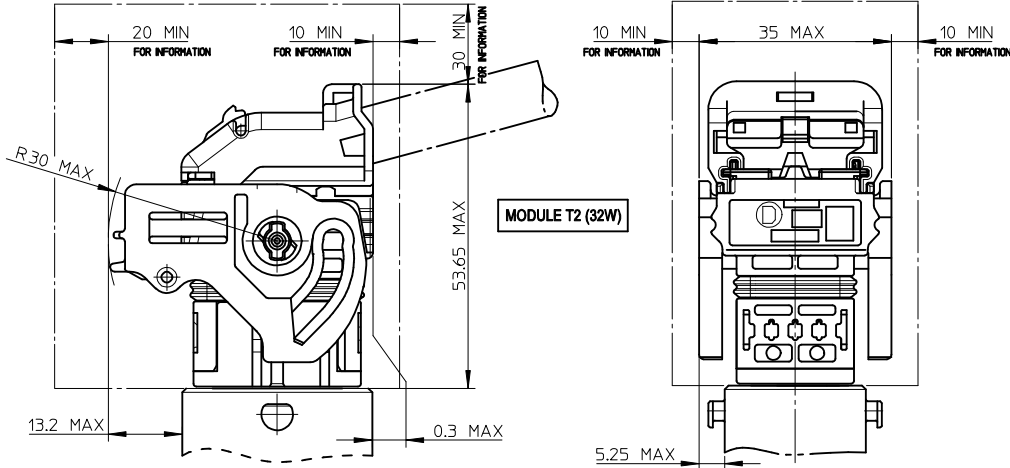
FOR SAME HARNESS EXIT CONFIGURATION



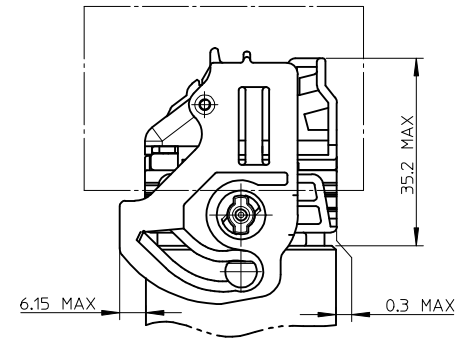
FOR OPPOSITE HARNESS EXIT CONFIGURATION



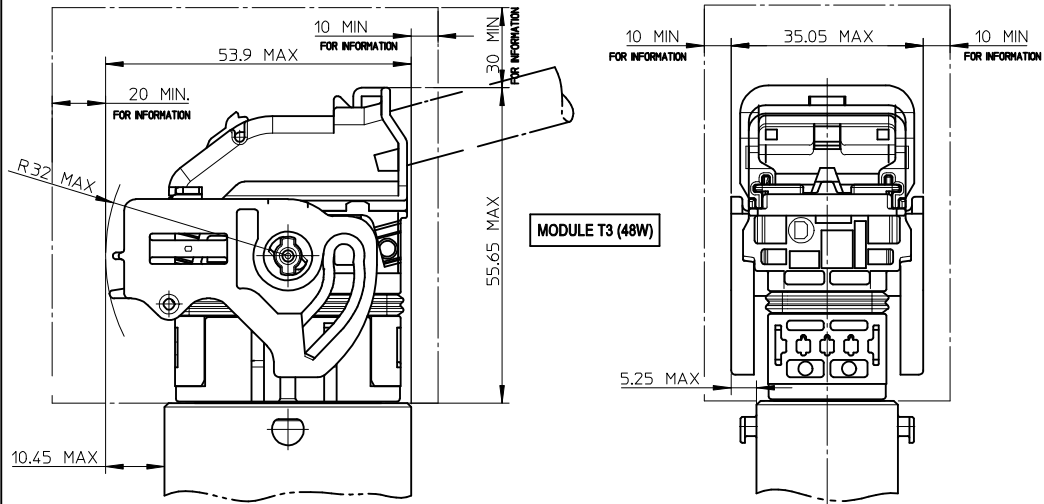
### UNLOCKED CONNECTOR - OVERALL DIMENSIONS



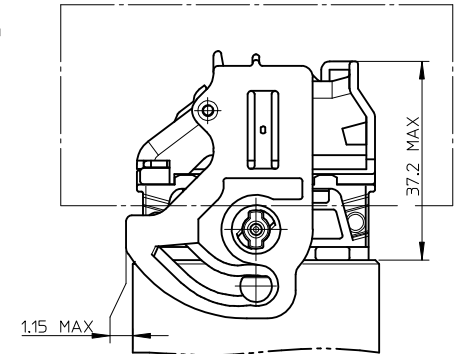
### LOCKED CONNECTOR - OVERALL DIMENSIONS



### UNLOCKED CONNECTOR - OVERALL DIMENSIONS



### LOCKED CONNECTOR - OVERALL DIMENSIONS



NOTE:  
1- T2 = 32 WAY / T3 = 48 WAY

### LEGEND:



FREE VOLUME FOR MANUAL LOCKING AND UNLOCKING  
DIMENSIONS GIVEN FOR INFORMATION ONLY TO BE  
CONFIRMED BASED UPON VEHICLE CONFIGURATION.

REV	DESCRIPTION	DATE
0	ENTER DESCRIPTION	
1	EC NO: G2010-0220	2010/05/20
2	DRW: NP/DECHELE	2008/10/03
3	CHKD: J. GIURIATO	2008/10/03
4	APPR: EBOUCHAN	2010/06/29

### GENERAL TOLERANCES (UNLESS SPECIFIED)

	mm	INCH
4 PLACES	± 0.10	± 0.004
3 PLACES	± 0.15	± 0.005
2 PLACES	± 0.20	± 0.008
1 PLACE	± 0.30	± 0.012
ANGULAR ± 2 °		

DRAFT WHERE APPLICABLE  
MUST REMAIN  
WITHIN DIMENSIONS

### DIMENSION STYLE

MM ONLY	DATE
DRAWN BY	G. DESBRUERES
CHECKED BY	J. GIURIATO
APPROVED BY	O. PLESSIS
MATERIAL NO.	N/A

### SCALE

1:1
-----

### DESIGN UNITS

METRIC	FIRST ANGLE PROJECTION
--------	------------------------

TITLE: INTERFACES FOR CONNECTOR 32 & 48 CKT CMC  
GENERIC SALES DRAWING

MOLEX INCORPORATED

DOCUMENT NO. SD-98644-006 SHEET NO. 3 OF 3

SIZE: A2

THIS DRAWING CONTAINS INFORMATION THAT IS PROPRIETARY TO MOLEX INCORPORATED AND SHOULD NOT BE USED WITHOUT WRITTEN PERMISSION