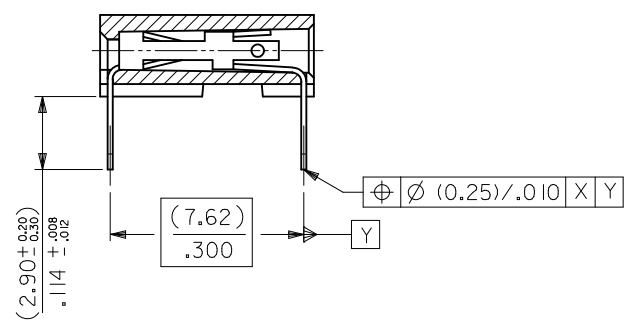


RECOMMENDED P.C. BOARD HOLE PATTERN FOR STRAIGHT PINS



SECTION C-C SHOWING STRAIGHT PINS

NOTES

- 1) CONTACT-PLATED PHOSPHOR BRONZE.  
(SEE SHEET 2)
- 2) HOUSING  
POLYESTER (PBT), 15% GLASS FILL, UL94-V0.  
COLOR: BLACK.  
ALSO  
POLYAMIDE (PA4/6), 30% GLASS FILL, UL94-V0.  
COLOR: NATURAL.
- 3) FOR (0.635)±.025 SQ. MALE PINS THE LENGTH MUST BE (5.65)±.222 MIN & (7.00)±.276 MAX. TO ENSURE GOOD CONNECTION WITH CONTACT.
- 4) PRODUCT SPECIFICATION: PS-99020-0001
- 5) PCB THICKNESS 1.6MM

UPDATE TOL. SYMMETRY EC NO: S2010-0968 DRWN:SKANG 2010/05/26 CHKD:ATSEE 2010/06/04 APPR:MLONG 2010/06/05	QUALITY SYMBOLS $F_A=0$ $F_G=0$ $F_P=0$	GENERAL TOLERANCES (UNLESS SPECIFIED)		DIMENSION STYLE	SCALE	DESIGN UNITS	THIRD ANGLE PROJECTION C-GRID III SINGLE ROW HORIZONTAL P.C BOARD CONN. MOLEX INCORPORATED SDA-90148
				MM ONLY	NTS	METRIC	
				DRAWN BY	DATE	TITLE	
				CHECKED BY	DATE		
AK	REV	4 PLACES	± ---	± ---	DB	1987/07/14	SHEET NO. 1 OF 3
		3 PLACES	± ---	± ---			
		2 PLACES	± 0.15	± ---	D. MORIARTY	2005/03/02	
		1 PLACE	± ---	± ---	J. DENNEHY	2010/06/04	
		ANGULAR ± 2 °		MATERIAL NO.		DOCUMENT NO.	
		DRAFT WHERE APPLICABLE MUST REMAIN WITHIN DIMENSIONS		SEE TABLE			
				THIS DRAWING CONTAINS INFORMATION THAT IS PROPRIETARY TO MOLEX INCORPORATED AND SHOULD NOT BE USED WITHOUT WRITTEN PERMISSION			

PART NO's - STRAIGHT PINS		PART NO.	NO OF CKTS.	DIM. A		DIM. B <sup>(+0.30)</sup> <sub>-0.02</sub>		NO. PER TUBE
STANDARD	CUSTOMER SPECIFIC							
90148-1X02		90148-4X02	2	( 2.54 )	.100	( 5.08 )	.200	105
↑ 03	↑	↑ 03	3	( 5.08 )	.200	( 7.62 )	.300	72
04	↓	04	4	( 7.62 )	.300	( 10.16 )	.400	52
05		05	5	( 10.16 )	.400	( 12.70 )	.500	44
06	90148-9X06	06	6	( 12.70 )	.500	( 15.24 )	.600	36
07		07	7	( 15.24 )	.600	( 17.78 )	.700	30
08		08	8	( 17.78 )	.700	( 20.32 )	.800	26
09		09	9	( 20.32 )	.800	( 22.86 )	.900	24
10		10	10	( 22.86 )	.900	( 25.40 )	1.000	22
11		11	11	( 25.40 )	1.000	( 27.94 )	1.100	18
12		12	12	( 27.94 )	1.100	( 30.48 )	1.200	18
13		13	13					16
14		14	14	( 33.02 )	1.300	( 35.56 )	1.400	14
15		15	15	( 35.56 )	1.400	( 38.10 )	1.500	14
16		16	16					13
17		17	17					12
18		18	18	( 43.18 )	1.700	( 45.72 )	1.800	12
19		19	19	( 45.72 )	1.800	( 48.26 )	1.900	12
20		20	20	( 48.26 )	1.900	( 50.80 )	2.000	11
21		21	21					10
22		22	22					10
23		23	23					10
24		24	24					9
25		25	25	( 60.96 )	2.400	( 63.50 )	2.500	8
26		26	26	( 63.50 )	2.500	( 66.04 )	2.600	8
27		27	27					8
28		28	28					7
29		29	29					7
30		30	30	( 73.66 )	2.900	( 76.20 )	3.000	7
↓ 31	↓	↓ 31	31					7
90148-1X32		90148-4X32	32	( 78.74 )	3.100	( 81.28 )	3.200	6

PLATING VERSION A

PRE-PLATED HOT DIP TIN

1.0 TO 2.5 microns (.00004" TO .00010").

PLATING VERSION E

1.27 TO 1.78 microns (.00005" TO .00007") NICKEL

OVERALL, 0.38 TO 0.64 microns (.000015" TO .000025")

GOLD ON CONTACT AREA (OVER NICKEL).

3 TO 5 microns (.00012" TO .00020") TIN

ON SOLDER TAILS (OVER NICKEL).

PLATING VERSION F.

1.27 TO 1.78 microns (.00005" TO .00007") NICKEL

OVERALL, 0.76 TO 1.0 microns (.00003" TO .00004")

GOLD ON CONTACT AREA (OVER NICKEL).

3 TO 5 microns (.00012" TO .00020") TIN

ON SOLDER TAILS (OVER NICKEL).

90148-XXYY

INDICATES NO. OF CIRCUITS

PLATING CODE

1 = VERSION A

2 = VERSION E

3 = VERSION F

1 = STRAIGHT PINS POLYESTER

9 = STRAIGHT PINS POLYESTER

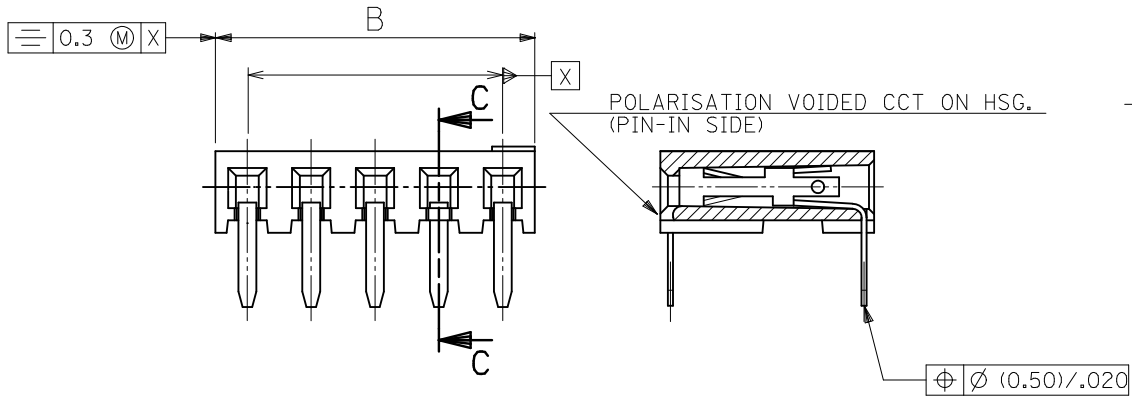
4 = STRAIGHT PINS NYLON 46

UPDATE TOL. SYMMETRY EC NO: S2010-0968 DRWN:SKANG 2010/05/26 CHKD:ATSEE 2010/06/04 APPR:MLONG 2010/06/05	QUALITY SYMBOLS	GENERAL TOLERANCES (UNLESS SPECIFIED)	DIMENSION STYLE	SCALE	DESIGN UNITS	THIRD ANGLE PROJECTION	
	▽ <sub>A</sub> =0 ▽ <sub>C</sub> =0 ▽ <sub>P</sub> =0	mm INCH	MM ONLY	NTS	METRIC		
		4 PLACES ± --- ± --- 3 PLACES ± --- ± --- 2 PLACES ± 0.15 ± --- 1 PLACE ± --- ± ---	DRAWN BY DATE DB 1987/07/14	TITLE	C-GRID III SINGLE ROW HORIZONTAL P.C BOARD CONN.		
		ANGULAR ± 2 °	CHECKED BY DATE D.MORIARTY 2005/03/02	APPROVED BY DATE J.DENNEHY 2010/06/04	MOLEX INCORPORATED		
AK	DESCRIPTION	DRAFT WHERE APPLICABLE MUST REMAIN WITHIN DIMENSIONS	SIZE	MATERIAL NO.	DOCUMENT NO.	SHEET NO.	
			A3	SEE TABLE	SDA-90148	2 OF 3	
			THIS DRAWING CONTAINS INFORMATION THAT IS PROPRIETARY TO MOLEX INCORPORATED AND SHOULD NOT BE USED WITHOUT WRITTEN PERMISSION				

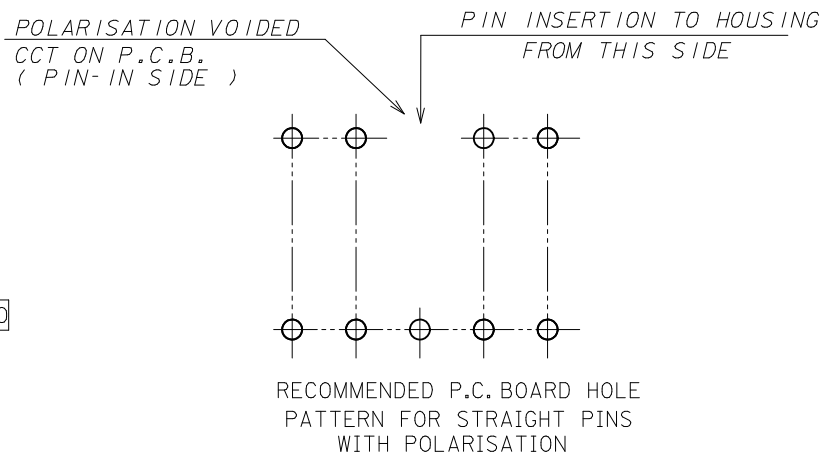
PART NO.	POLARISED CCT NO.	NO. OF CKTS.	DIM. A	DIM. B ( $\pm 0.30$ ) ( $\pm 0.012$ )	NO. PER TUBE
90148-3X01	2	3	( 5.08 ) .200	( 7.62 ) .300	72

**NON-STANDARD PRODUCTS**

90148-XXYY  
 ——— OPTION NUMBER (NOT RELATING TO CCT SIZE OR OTHERWISE )  
 ——— PLATING CODE (SEE SHEET 2 )  
 ——— 3 = STRAIGHT PINS POLYESTER, POLARISED



SECTION C-C SHOWING POLARISED CCT



- NOTES  
 1) SEE SHEET 1 FOR ALL UNSPECIFIED DIMENSIONS AND NOTES.  
 2) PARTS NOT STACKABLE.

UPDATE TOL. SYMMETRY EC NO: SZ010-0968 DRWN: SKANG CHKD: ATSEE APPR: MLONG 2010/05/26 2010/06/04 2010/06/05	QUALITY SYMBOLS $\nabla = 0$ $\nabla = 0$ $\nabla = 0$	GENERAL TOLERANCES (UNLESS SPECIFIED) mm INCH 4 PLACES $\pm$ --- $\pm$ --- 3 PLACES $\pm$ --- $\pm$ --- 2 PLACES $\pm 0.15$ $\pm$ --- 1 PLACE $\pm$ --- $\pm$ --- ANGULAR $\pm 2^\circ$	DIMENSION STYLE MM ONLY DRAWN BY: DB DATE: 1987/07/14 CHECKED BY: D. MORIARTY DATE: 2005/03/02 APPROVED BY: J. DENNEHY DATE: 2010/06/04 MATERIAL NO.: SEE TABLE	SCALE NTS TITLE C-GRID III SINGLE ROW HORIZONTAL P.C. BOARD CONN. MOLEX INCORPORATED DOCUMENT NO.: SDA-90148	DESIGN UNITS METRIC THIRD ANGLE PROJECTION	SHEET NO. 3 OF 3
	DRAFT WHERE APPLICABLE MUST REMAIN WITHIN DIMENSIONS	SIZE A3 THIS DRAWING CONTAINS INFORMATION THAT IS PROPRIETARY TO MOLEX INCORPORATED AND SHOULD NOT BE USED WITHOUT WRITTEN PERMISSION				
	REV AK	DESCRIPTION REV				

PART NO's - STRAIGHT PINS		PART NO.	NO OF CKTS.	DIM. A	DIM. B $(\pm \frac{0.30}{.02})$	NO. PER TUBE
STANDARD	CUSTOMER SPECIFIC					
90148-1X02		90148-4X02	2	( 2.54 ) .100	( 5.08 ) .200	105
↑ 03	↑	↑ 03	3	( 5.08 ) .200	( 7.62 ) .300	72
04	↓	04	4	( 7.62 ) .300	(10.16) .400	52
05		05	5	(10.16) .400	(12.70) .500	44
06	90148-9X06	06	6	(12.70) .500	(15.24) .600	36
07		07	7	(15.24) .600	(17.78) .700	30
08	↑	08	8	(17.78) .700	(20.32) .800	26
09		09	9	(20.32) .800	(22.86) .900	24
10		10	10	(22.86) .900	(25.40) 1.000	22
11		11	11	(25.40) 1.000	(27.94) 1.100	18
12		12	12	(27.94) 1.100	(30.48) 1.200	18
13		13	13			16
14		14	14	(33.02) 1.300	(35.56) 1.400	14
15		15	15	(35.56) 1.400	(38.10) 1.500	14
16		16	16			13
17		17	17			12
18		18	18	(43.18) 1.700	(45.72) 1.800	12
19		19	19	(45.72) 1.800	(48.26) 1.900	12
20		20	20	(48.26) 1.900	(50.80) 2.000	11
21		21	21			10
22		22	22			10
23		23	23			10
24		24	24			9
25		25	25	(60.96) 2.400	(63.50) 2.500	8
26		26	26	(63.50) 2.500	(66.04) 2.600	8
27		27	27			8
28		28	28			7
29		29	29			7
30		30	30	(73.66) 2.900	(76.20) 3.000	7
↓ 31	↓	↓ 31	31			7
90148-1X32		90148-4X32	32	(78.74) 3.100	(81.28) 3.200	6

PLATING VERSION A

PRE-PLATED HOT DIP TIN  
1.0 TO 2.5 microns (.00004" TO .00010").

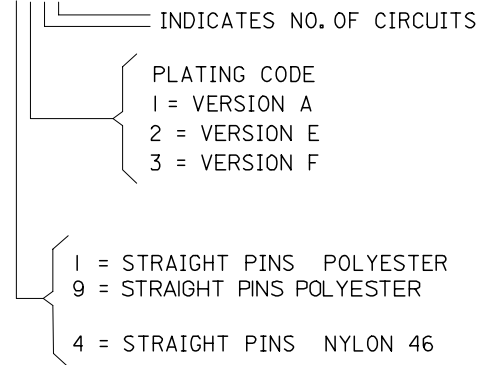
PLATING VERSION E

1.27 TO 1.78 microns (.00005" TO .00007") NICKEL  
OVERALL, 0.38 TO 0.64 microns (.000015" TO .000025")  
GOLD ON CONTACT AREA (OVER NICKEL).  
3 TO 5 microns (.00012" TO .00020") TIN  
ON SOLDER TAILS (OVER NICKEL).

PLATING VERSION F.

1.27 TO 1.78 microns (.00005" TO .00007") NICKEL  
OVERALL, 0.76 TO 1.0 microns (.00003" TO .00004")  
GOLD ON CONTACT AREA (OVER NICKEL).  
3 TO 5 microns (.00012" TO .00020") TIN  
ON SOLDER TAILS (OVER NICKEL).

90148-XXXX



ADD NEW P/N EC NO: E2007-0823 DRWN:DBYRNES CHKD: APPR:EDMAHONY 2007/03/29 2007/03/29 2007/04/04	QUALITY SYMBOLS ▽=0 ▽=0	GENERAL TOLERANCES (UNLESS SPECIFIED)		DIMENSION STYLE MM ONLY	SCALE ---	DESIGN UNITS METRIC	THIRD ANGLE PROJECTION	
				DRAWN BY DB	DATE 1987/07/14	TITLE C-GRID III SINGLE ROW HORIZONTAL P.C. BOARD CONNECTOR		
				CHECKED BY D.MORIARTY	DATE	MOLEX INCORPORATED		
				APPROVED BY J.DENNEHY	DATE	MATERIAL NO.	DOCUMENT NO. SDA-90148	SHEET NO. 2 OF 3
AJ	REV	DRAFT WHERE APPLICABLE MUST REMAIN WITHIN DIMENSIONS		SIZE A3	THIS DRAWING CONTAINS INFORMATION THAT IS PROPRIETARY TO MOLEX INCORPORATED AND SHOULD NOT BE USED WITHOUT WRITTEN PERMISSION			