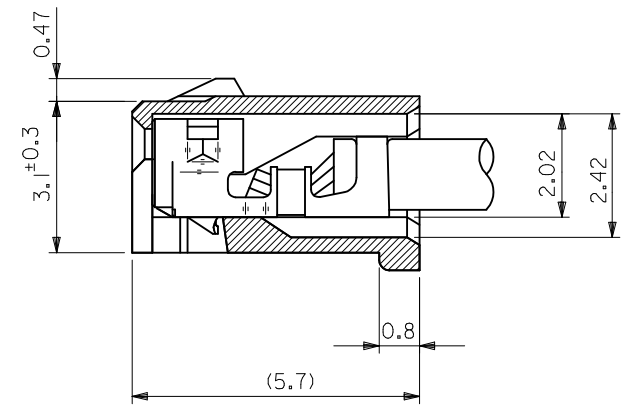
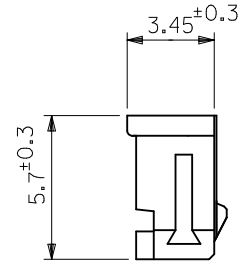
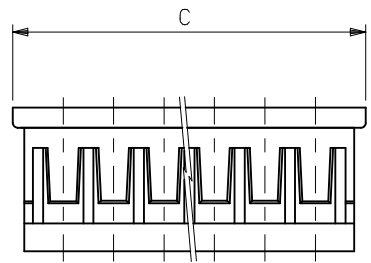
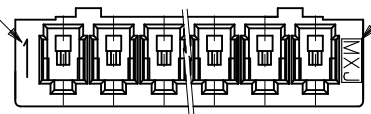


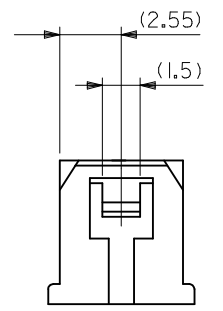
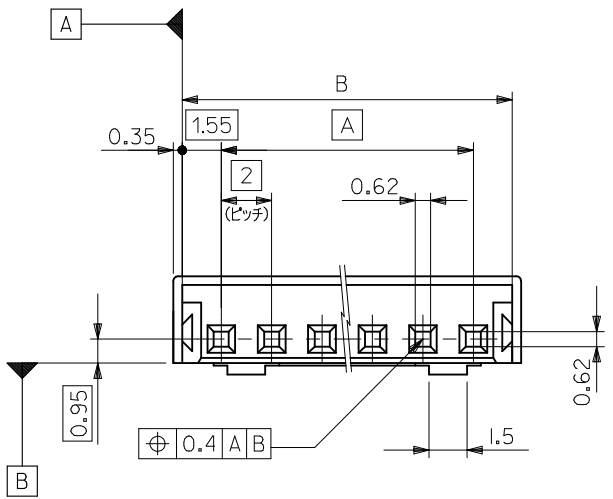
10 9 8 7 6 5 4 3 2 1

回路番号
CIRCUIT NO.

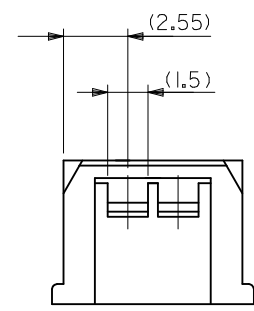
⑤ トレードマーク
TRADE MARK



ターミナル装着状態図
TERMINAL ASSEMBLY DRAWING
(10:1)



2極の場合
IN CASE OF
2 CIRCUIT HSG.



3極の場合
IN CASE OF
3 CIRCUIT HSG.

| | | | | |
|------|------|----|------------------|----------|
| 31.8 | 31.1 | 28 | 51065-150* | 15 |
| 29.8 | 29.1 | 26 | -140* | 14 |
| 27.8 | 27.1 | 24 | -130* | 13 |
| 25.8 | 25.1 | 22 | -120* | 12 |
| 23.8 | 23.1 | 20 | -110* | 11 |
| 21.8 | 21.1 | 18 | -100* | 10 |
| 19.8 | 19.1 | 16 | -090* | 9 |
| 17.8 | 17.1 | 14 | -080* | 8 |
| 15.8 | 15.1 | 12 | -070* | 7 |
| 13.8 | 13.1 | 10 | -060* | 6 |
| 11.8 | 11.1 | 8 | -050* | 5 |
| 9.8 | 9.1 | 6 | -040* | 4 |
| 7.8 | 7.1 | 4 | -030* | 3 |
| 5.8 | 5.1 | 2 | 51065-020* | 2 |
| C | B | A | PLASTIC BAG | 極数 |
| | | | オーダー番号 ORDER NO. | CIRCUITS |

CONNECTOR SERIES NO. 51065-***0*

| | | | | | | | |
|--|---------------------------------------|--------------|----------------------------|-------------------|---|------------------------|------------------------|
| REVISED EC NO: J2014-0578 DRWN: YWAKE 2013/09/27 CHKD: KASAKAWA 2013/09/27 APPR: NUKITA 2013/10/02 | GENERAL TOLERANCES (UNLESS SPECIFIED) | | DIMENSION STYLE MM ONLY | | SCALE 5:1 | DESIGN UNITS METRIC | THIRD ANGLE PROJECTION |
| | 10 UNDER | ±0.2 | DRAWN BY S. AIHARA | DATE '89/09/21 | TITLE NEW 2.0 WIRE TO BOARD CONN RECEPTACLE HOUSING | | |
| | 10 OVER 30 UNDER | ±0.25 | CHECKED BY M. FUKUSHIMA | DATE '90/01/18 | | | |
| | 30 OVER | ±0.3 | APPROVED BY M. ENOMOTO | DATE '90/01/18 | | | |
| ANGULAR | ±3 ° | MATERIAL NO. | | DOCUMENT NO. | | SHEET NO. | |
| DRAFT WHERE APPLICABLE MUST REMAIN WITHIN DIMENSIONS | | SIZE A3 | | SEE CHART | | | SD-51065-004 |
| THIS DRAWING CONTAINS INFORMATION THAT IS PROPRIETARY TO MOLEX INCORPORATED AND SHOULD NOT BE USED WITHOUT WRITTEN PERMISSION | | | | | | | |

9 8 7 6 5 4 3 2

注 記 NOTES

- 適合ターミナル : 50212 , 50372 シリーズ
APPLICABLE TERMINAL : 50212 , 50372 SERIES
- 嵌合相手 : 53253 , 53254 シリーズ
MATE WITH : 53253 , 53254 SERIES
- 材質 : PBT , UL94V-0
MATERIAL : PBT , UL94V-0

△ オーダー番号 ORDER NO.

51065-***0*

極数
CIRCUIT SIZE

色番号
COLOR CODE

| | |
|---|----------------------------|
| 0 | 自然色 (白) NATURAL (WHITE) |
| 1 | 黒 BLACK |
| 2 | 赤 RED |
| 3 | 黄 YELLOW |
| 4 | 青 BLUE |
| 6 | 緑 GREEN |

△

トレードマーク :M プラス 1~2 文字の製造工場を示すアルファベットにて構成。但し、"J"は JAPAN を示す。(例 MXJ)
FORMED BY M AND FROM 1 TO 2 MORE LETTER OF ALPHABET WHICH MEAN THE MANUFACTORY.
BUT "J" MEANS JAPAN. (TO TRADE MARK) (e.g. MXJ).

| | | | | | | | | | | |
|------|------|----|------------|------------|------------|------------|------------|------------|------------|---|
| 31.8 | 31.1 | 28 | | | | | 51065-1501 | 51065-1500 | 15 | |
| 29.8 | 29.1 | 26 | | | | | 51065-1401 | 51065-1400 | 14 | |
| 27.8 | 27.1 | 24 | | | | | 51065-1301 | 51065-1300 | 13 | |
| 25.8 | 25.1 | 22 | | | | | | 51065-1200 | 12 | |
| 23.8 | 23.1 | 20 | | | | | | 51065-1100 | 11 | |
| 21.8 | 21.1 | 18 | | | | | | 51065-1000 | 10 | |
| 19.8 | 19.1 | 16 | | | | | | 51065-0900 | 9 | |
| 17.8 | 17.1 | 14 | | | | | | 51065-0800 | 8 | |
| 15.8 | 15.1 | 12 | | | 51065-0704 | | | 51065-0700 | 7 | |
| 13.8 | 13.1 | 10 | | | | 51065-0603 | 51065-0602 | 51065-0600 | 6 | |
| 11.8 | 11.1 | 8 | | | | | | 51065-0500 | 5 | |
| 9.8 | 9.1 | 6 | | | | 51065-0403 | 51065-0402 | 51065-0400 | 4 | |
| 7.8 | 7.1 | 4 | | | 51065-0304 | | 51065-0302 | 51065-0301 | 51065-0300 | 3 |
| 5.8 | 5.1 | 2 | 51065-0206 | 51065-0204 | 51065-0203 | 51065-0202 | 51065-0201 | 51065-0200 | 2 | |
| C | B | A | GREEN | BLUE | YELLOW | RED | BLACK | NATURAL | 極数 | |

△ オーダー番号 ORDER NO.

CIRCUITS

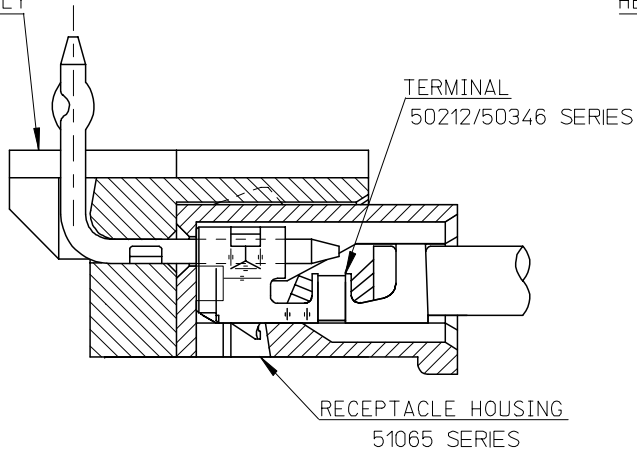
CONNECTOR SERIES NO. 51065-***0*

| | | | | | | | |
|--|---------------------------------------|------------|--|-------------------|---|------------------------|------------------------|
| REVISED EC NO.: J2014-0578 DRWN: YMAKE 2013/09/27 CHKD: KASAKAWA 2013/09/27 APPR: NUKIITA 2013/10/02 | GENERAL TOLERANCES (UNLESS SPECIFIED) | | DIMENSION STYLE MM ONLY | | SCALE 5:1 | DESIGN UNITS METRIC | THIRD ANGLE PROJECTION |
| | 10 UNDER | ± 0.2 | DRAWN BY S. AIHARA | DATE '89/09/21 | TITLE NEW 2.0 WIRE TO BOARD CONN RECEPTACLE HOUSING | | |
| | 10 OVER 30 UNDER | ± 0.25 | CHECKED BY M. FUKUSHIMA | DATE '90/01/18 | molex | | |
| | 30 OVER | ± 0.3 | APPROVED BY M. ENOMOTO | DATE '90/01/18 | | | |
| | ANGULAR | ± 3 ° | MATERIAL NO. SEE CHART | | DOCUMENT NO. SD-51065-004 | SHEET NO. 2 OF 2 | |
| DRAFT WHERE APPLICABLE MUST REMAIN WITHIN DIMENSIONS | | SIZE A3 | THIS DRAWING CONTAINS INFORMATION THAT IS PROPRIETARY TO MOLEX INCORPORATED AND SHOULD NOT BE USED WITHOUT WRITTEN PERMISSION | | | | |

10 9 8 7 6 5 4 3 2 1

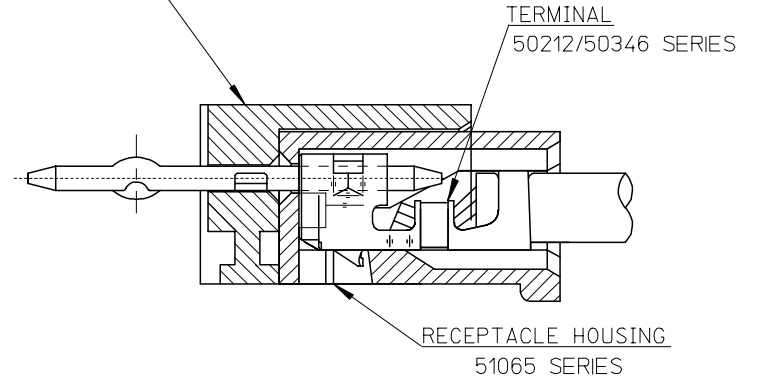
F

HEADER HOUSING ASSEMBLY
53254SERIES



51065シリーズ/53254シリーズ 嵌合状態図 参考
51065 SERIES/53254 SERIES MATED DRAWING (REF.)

HEADER HOUSING ASSEMBLY
53253SERIES



51065シリーズ/53253シリーズ 嵌合状態図 参考
51065 SERIES/53253 SERIES MATED DRAWING (REF.)

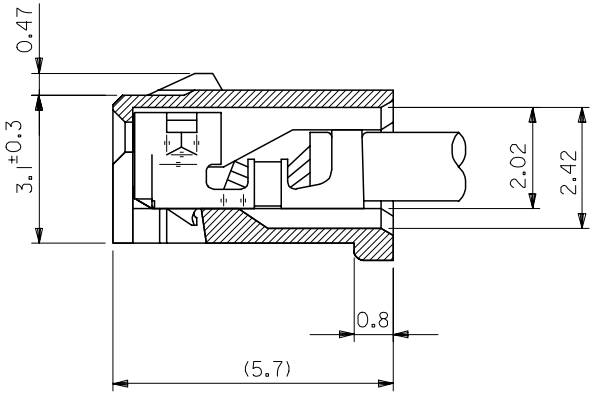
E

D

C

B

A



ターミナル装着状態図
TERMINAL ASS'Y DWG.

| | | | | | | |
|---|---------------------------------------|------------|---|--------------------|---|------------------------|
| RELEASED EC NO: J2008-2041 DRWN: AOYAGI 2007/11/21 CHKD: THARUYAMA 2007/11/22 APPR: NUKITA 2007/11/22 | GENERAL TOLERANCES (UNLESS SPECIFIED) | | DIMENSION STYLE MM ONLY | SCALE 10:1 | DESIGN UNITS METRIC | THIRD ANGLE PROJECTION |
| | 10 UNDER | ± 0.2 | DRAWN BY Y. AOYAGI | DATE 2007/11/13 | TITLE NEW 2.0 W/B CONN. 51065/53253OR51065/53254 | |
| | 10 OVER 30 UNDER | ± 0.25 | CHECKED BY N. UKITA | DATE 2007/11/13 | MOLEX INCORPORATED DOCUMENT NO. SD-51065-006 SHEET NO. 1 OF 1 | |
| | 30 OVER | ± 0.3 | APPROVED BY N. UKITA | DATE 2007/11/13 | | |
| | ANGULAR | ± 1 ° | MATERIAL NO. | | SEE TABLE | |
| DRAFT WHERE APPLICABLE MUST REMAIN WITHIN DIMENSIONS | | SIZE A3 | THIS DRAWING CONTAINS INFORMATION THAT IS PROPRIETARY TO MOLEX INCORPORATED AND SHOULD NOT BE USED WITHOUT WRITTEN PERMISSION | | | |