

90584	-**26	26	(35.53)/1.399	(31.75)/1.250	(30.48)/1.200
	-**24	24	(32.99)/1.299	(29.21)/1.150	(27.94)/1.100
	-**22	22	(30.45)/1.199	(26.67)/1.050	(25.40)/1.000
	-**20	20	(27.91)/1.099	(24.13)/.950	(22.86)/.900
	-**18	18	(25.37)/.999	(21.59)/.850	(20.32)/.800
	-**16	16	(22.83)/.899	(19.05)/.750	(17.78)/.700
	-**14	14	(20.29)/.799	(16.51)/.650	(15.24)/.600
	-**12	12	(17.75)/.699	(13.97)/.550	(12.70)/.500
	-**10	10	(15.21)/.599	(11.43)/.450	(10.16)/.400
	-**08	8	(12.67)/.499	(8.89)/.350	(7.62)/.300
	-**06	6	(10.13)/.399	(6.35)/.250	(5.08)/.200
90584	-**04	4	(7.59)/.299	(3.81)/.150	(2.54)/.100
PART NO.	CCT SIZE		DIMENSION A	DIMENSION B	DIMENSION C

HOUSING

MATL. POLYESTER, RATED UL 94V-0, COLOUR WHITE.

IDT CONTACT

MATL : PHOSPHOR BRONZE (0.28)/.011 REF THICK.
 PLATING : (2-4um) / 80-160u" TIN

NOTES:

1. APPL. CLASS TO DIN 40040 HME (-25°C/+100°C)
2. PRODUCT SPECIFICATION: PS-99020-0011
3. WIRE TERMINATION SPEC: ES-99033-0002
4. PACKAGING SPEC: PK-90584-001

90584- * * * *

04 TO 26 = CKT SIZE.

3= NO CIRCUITS VOIDED.

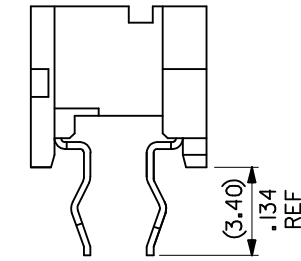
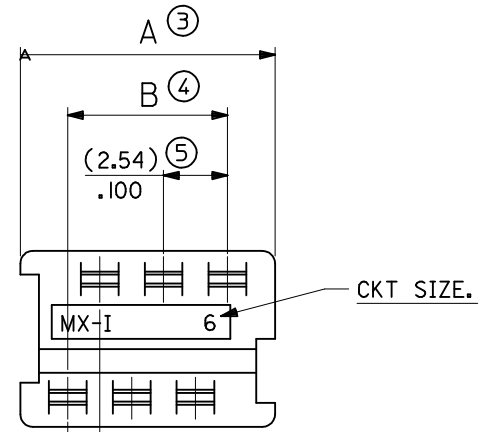
4= CIRCUITS 4 & 5 VOIDED.

1= INDIVIDUAL TUBED ASSY

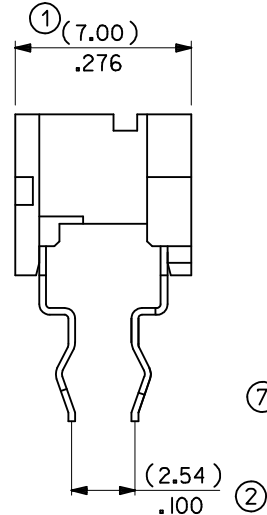
2= STACKED TUBED ASSY - SEE SHEET 2

8 = NON STANDARD TUBE OPTION - SEE SHEET 3

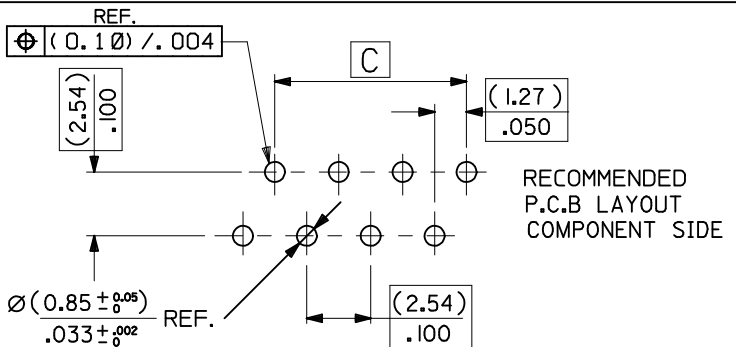
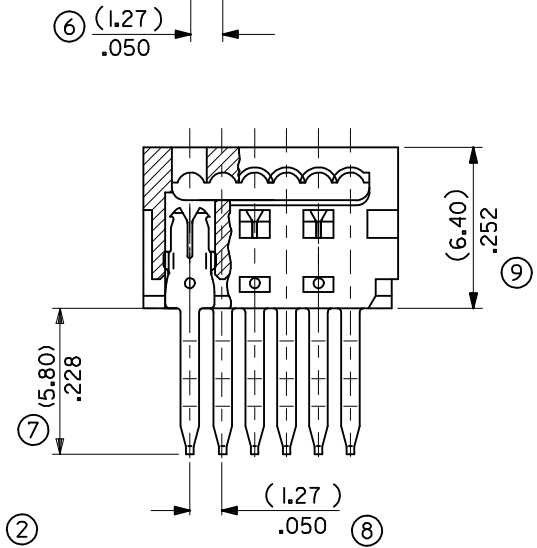
9= NON STANDARD OPTION - SEE SHEET 3



AFTER TERMINATION
SEE NOTE 3



BEFORE TERMINATION



RECOMMENDED
P.C.B LAYOUT
COMPONENT SIDE

ADDED NON STD TUBE
EC NO: IPG2015-0003
DRWN:DBYRNES 2014/07/07
CHKD:
APPR:STGRFFIN 2014/10/30
DESCRIPTION
REV

QUALITY SYMBOLS
▽=0
▽=0

GENERAL TOLERANCES (UNLESS SPECIFIED)

	mm	INCH
4 PLACES	± .10	± .004
3 PLACES	± .15	± .006
2 PLACES	± 0.25	± .010
1 PLACE	± .50	± .020
ANGULAR ± 2°		

DRAFT WHERE APPLICABLE
MUST REMAIN
WITHIN DIMENSIONS

DIMENSION STYLE
MM/IN

DRAWN BY	DATE	TITLE
DMCNAMAR	2003/09/01	1.27MM PF LOW PRO IDT BOARD-IN CONNECTOR
CHECKED BY	DATE	
BMAGUIRE	2003/09/01	
APPROVED BY	DATE	
MWILHITE	2003/09/01	
MATERIAL NO.	DOCUMENT NO.	SHEET NO.
	SDA-90584	1 OF 3

SIZE
A3

SCALE
5:1

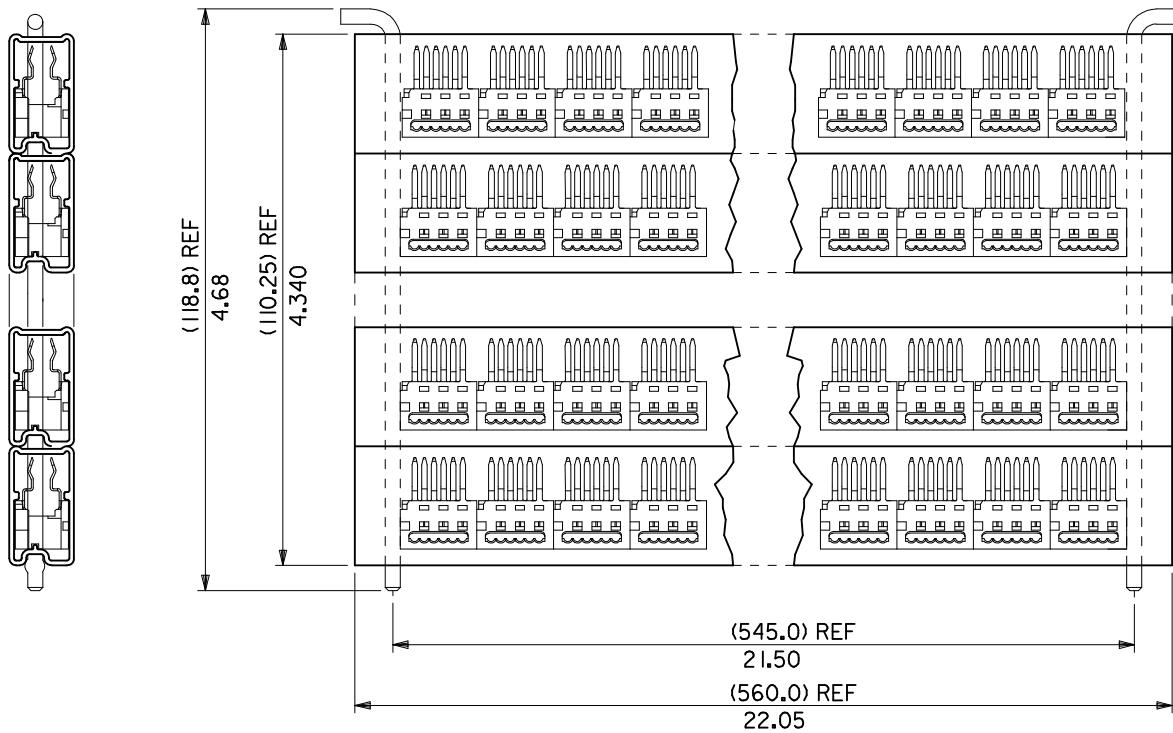
DESIGN UNITS
METRIC

THIRD ANGLE PROJECTION

MOLEX INCORPORATED

THIS DRAWING CONTAINS INFORMATION THAT IS PROPRIETARY TO MOLEX INCORPORATED AND SHOULD NOT BE USED WITHOUT WRITTEN PERMISSION

10 9 8 7 6 5 4 3 2 1



STACKED TUBED ASSEMBLY

REVISION UPDATE EC NO: E2005-1027 DRWNG: GMSWEN 2005/05/10 CHK'D: DMOR I ARTY 2005/05/10 APPR: J DENNEHY 2005/05/26	QUALITY SYMBOLS ▽ = 0 ◻ = 0	GENERAL TOLERANCES (UNLESS SPECIFIED) mm INCH 4 PLACES ± --- ± --- 3 PLACES ± --- ± .010 2 PLACES ± 0.25 ± --- 1 PLACE ± --- ± --- ANGULAR ± 2 °	DIMENSION STYLE MM/IN DRAWN BY PW DATE 1994/02/25 CHECKED BY DMOR I ARTY DATE 2005/05/06 APPROVED BY J DENNEHY DATE 2005/05/10	SCALE NTS DESIGN UNITS METRIC THIRD ANGLE PROJECTION	TITLE 1.27MM PF LOW PRO IDT BOARD-IN CONNECTOR
	DRAFT WHERE APPLICABLE MUST REMAIN WITHIN DIMENSIONS	MATERIAL NO. SEE SHEET 1	DOCUMENT NO. SDA-90584	SHEET NO. 2 OF 3	
	SIZE A3	THIS DRAWING CONTAINS INFORMATION THAT IS PROPRIETARY TO MOLEX INCORPORATED AND SHOULD NOT BE USED WITHOUT WRITTEN PERMISSION			
	MOLEX INCORPORATED				

9 8 7 6 5 4 3 2 1