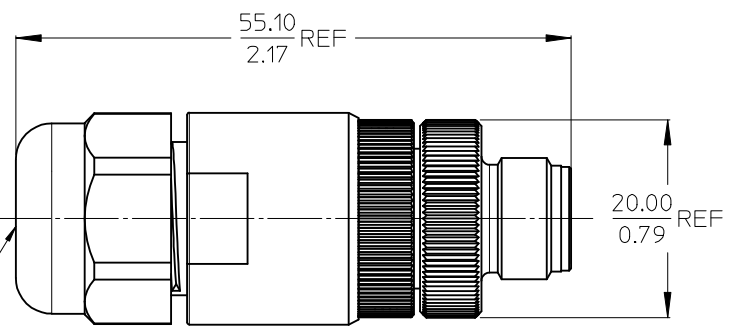


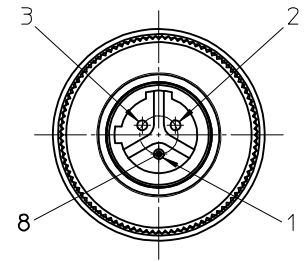
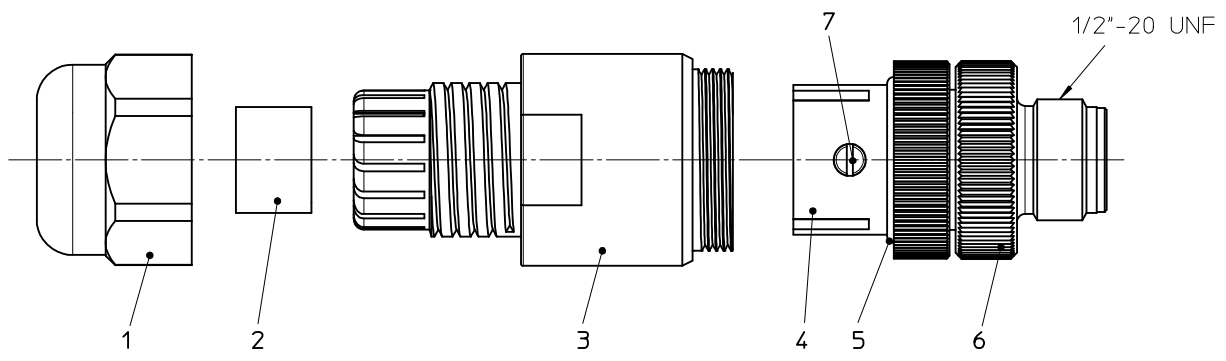
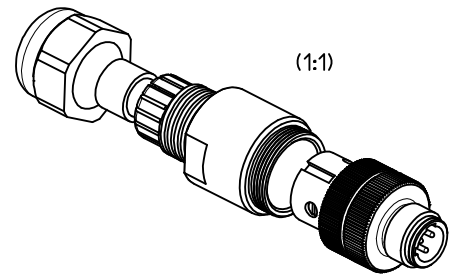
10 9 8 7 6 5 4 3 2 1



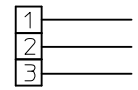
O.D. CABLE RANGE
4.1-8.1/.16-.32

WIRING CHART

VOLTAGE RATING	250VAC/DC
AMPERAGE RATING	4 AMPS
PROTECTION	IP67
OPERATING TEMPERATURE	-40°C to 185°C



MALE FACE VIEW



ENG.-NO.: 7A3006-32

ITEM	QTY	COMPONENT	MATERIAL	FINISH
1	1	HUT NUT M12	PA6	BK
2	1	GROMMET	CR/NBR	BK
3	1	ENDSLEEVE	PA66	BK
4	1	INSERT	NYLON	BK
5	1	GASKET	NITRILE	BK
6	1	COUPLING NUT	BRASS	NI PLATED
7	3	SCREW	BRASS	ZN
8	3	CONTACT	COPPER ALLOY	AU PLATED

ENTER DESCRIPTION
EC NO: IPG2013-0649 2012/11/14
DRW:RSCHIEBER 2012/11/14
CHKD:APOHL 2012/11/14
APPR:CBURGER 2012/11/26

QUALITY SYMBOLS
▽=0
∇=0

	GENERAL TOLERANCES (UNLESS SPECIFIED)	
	mm	INCH
4 PLACES	± ---	± ---
3 PLACES	± ---	± ---
2 PLACES	± ---	± .01
1 PLACE	± 0.3	± ---
0 PLACE	± ---	± ---
ANGULAR ± --- °		
DRAFT WHERE APPLICABLE MUST REMAIN WITHIN DIMENSIONS		

DIMENSION STYLE	
MM/IN	
DRAWN BY	DATE
RSCHIEBER	2012/11/14
CHECKED BY	DATE
APOHL	2012/11/14
APPROVED BY	DATE
CBURGER	2012/11/26
MATERIAL NO.	
1200750018	

SCALE	DESIGN UNITS	THIRD ANGLE PROJECTION
2:1	METRIC	☉ □
TITLE		
FA M12 3P 2C MA STR PG9		
DOCUMENT NO.		SHEET NO.
SD-120075-008		1 OF 1
THIS DRAWING CONTAINS INFORMATION THAT IS PROPRIETARY TO MOLEX INCORPORATED AND SHOULD NOT BE USED WITHOUT WRITTEN PERMISSION		



9 8 7 6 5 4 3 2 1