

注記 1. 材質
NOTES MATERIAL

ハウジング : PA. ガラス充填, 黒色, UL94V-0
HOUSING : PA. GLASS FILLED, BLACK, UL94V-0
ターミナル : 銅合金 (t=0.2)
TERMINAL : COPPER ALLOY (t=0.2)
シールド ケース : 銅合金 (t=0.4)
SHIELD CASE : COPPER ALLOY (t=0.4)
カバー テープ : ポリイミド (t=0.08)
COVER TAPE : POLYIMIDE (t=0.08)

2. メッキ仕様
PLATING

ターミナル
TERMINAL
接点部 : 金メッキ 0.75 MICRO METER MIN.
CONTACT AREA : GOLD 0.75MICRO METER MIN.
半田付け部 : 半田メッキ 3.8 MICRO METER MIN.
SOLDER TAIL AREA : TIN-LEAD 3.8MICRO METER MIN.
下地部 : ニッケルメッキ 1.25 MICRO METER MIN.
UNDER PLATING : NICKEL 1.25MICRO METER MIN.
シールド ケース
SHIELD CASE
: 半田メッキ 2.5 MICRO METER MIN.
: TIN-LEAD 2.5MICRO METER MIN.
下地部 : ニッケルメッキ 1 MICRO METER MIN.
UNDER PLATING : NICKEL 1 MICRO METER MIN.

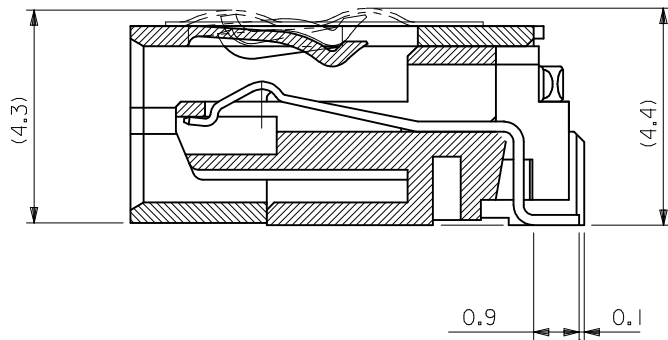
3. テール、ネール平坦度は 0.1mm MAX.
TAIL, NAIL COPLANARITY 0.1mm MAX.

推奨基板寸法 (部品実装側)
RECOMMENDED P.C.B. PATTERN LAYOUT (PART MOUNT SIDE)

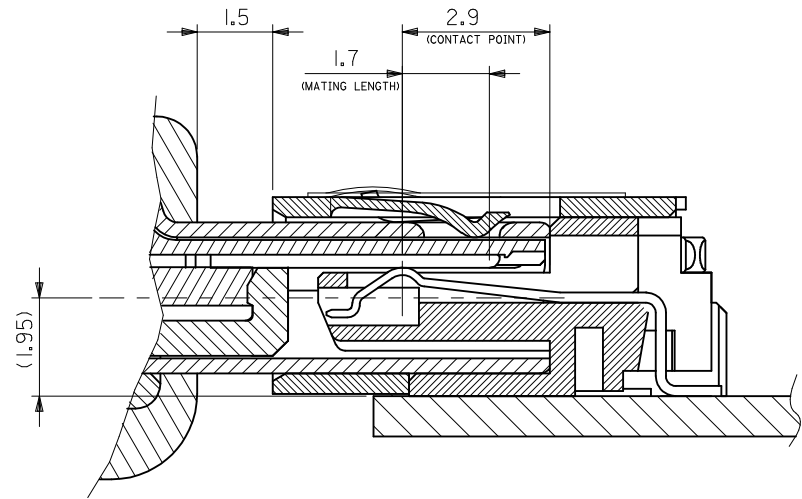
54819-0578	54819-0571
EMBOSSD TAPE	MATERIAL No.
ORDER No.	
MODEL No.54819-**-71	

REVISED EC NO.: J2009-1533 DRAWN: SATO 2009/06/25 CHKD: MATSUMOTO 2009/06/25 APPR: NUKITA 2009/06/25	GENERAL TOLERANCES (UNLESS SPECIFIED)		DIMENSION STYLE MM ONLY	SCALE 10:1	DESIGN UNITS METRIC	THIRD ANGLE PROJECTION
	10 UNDER	±0.2	DRAWN BY K. TAKAHASHI	DATE 2000/08/02	TITLE USB SERIES MINI-B RECEPTACLE ASS'Y FOR SMT	
	10 OVER 30 UNDER	±0.25	CHECKED BY M. SASAO	DATE 2000/08/02	MOLEX INCORPORATED	
	30 OVER	±0.3	APPROVED BY H. IKESUGI	DATE 2000/08/02	DOCUMENT NO. SD-54819-009	SHEET NO. 1 OF 2
REV	DESCRIPTION	ANGULAR ±3 °	MATERIAL NO. SEE TABLE	THIS DRAWING CONTAINS INFORMATION THAT IS PROPRIETARY TO MOLEX INCORPORATED AND SHOULD NOT BE USED WITHOUT WRITTEN PERMISSION		
DRAFT WHERE APPLICABLE MUST REMAIN WITHIN DIMENSIONS						

10 9 8 7 6 5 4 3 2 1



SECTION

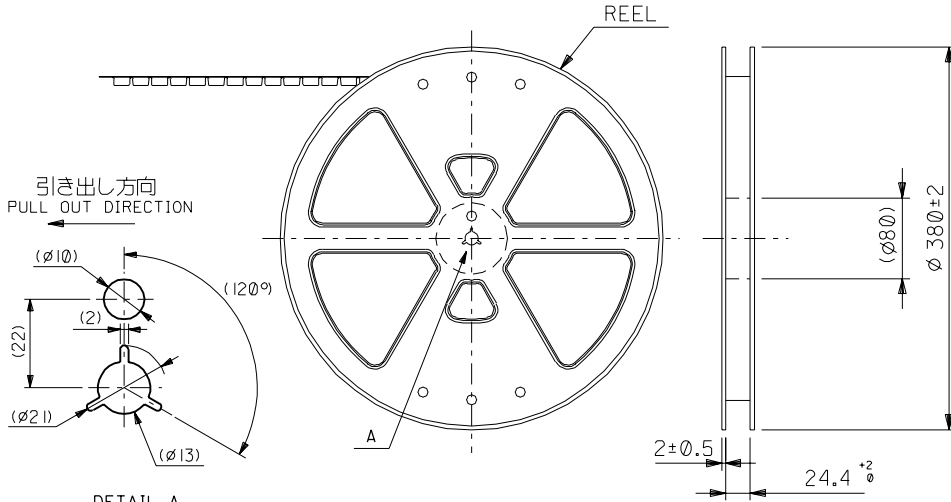


MATING

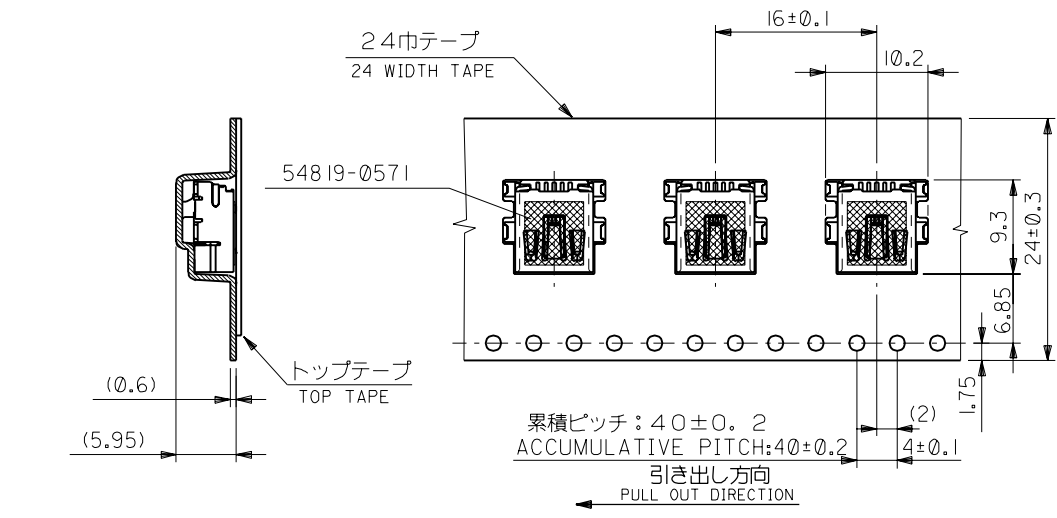
MODEL No.54819-***71

REVISED EC NO: J2009-1533 DRW: NESATO 2009/06/25 CHK: D: MATSUMOTO 2009/06/25 APPR: NUKITA 2009/06/25	GENERAL TOLERANCES (UNLESS SPECIFIED)		DIMENSION STYLE MM ONLY	SCALE 10:1	DESIGN UNITS METRIC	THIRD ANGLE PROJECTION	
	10 UNDER	± 0.2	DRAWN BY K. TAKAHASHI	DATE 2000/08/02	TITLE USB SERIES MINI-B RECEPTACLE ASS'Y FOR SMT		
	10 OVER 30 UNDER	± 0.25	CHECKED BY M. SASAO	DATE 2000/08/02	MOLEX INCORPORATED		
	30 OVER	± 0.3	APPROVED BY H. IKESUGI	DATE 2000/08/02	MATERIAL NO. SEE SHEET 1	DOCUMENT NO. SD-54819-009	SHEET NO. 2 OF 2
	ANGULAR ± 3 °	THIS DRAWING CONTAINS INFORMATION THAT IS PROPRIETARY TO MOLEX INCORPORATED AND SHOULD NOT BE USED WITHOUT WRITTEN PERMISSION					
	DRAFT WHERE APPLICABLE MUST REMAIN WITHIN DIMENSIONS						

DWG. NO. SD-54819-012



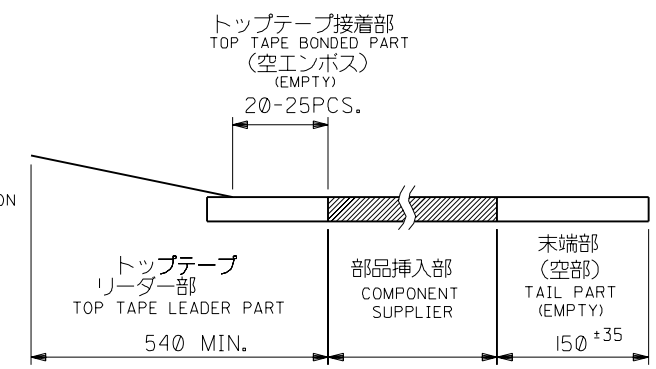
DETAIL A



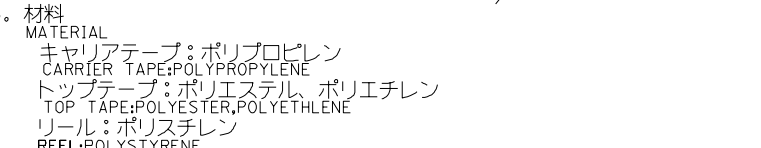
エンボステープ内の製品の向き
DIRECTION OF CONNECTOR IN EMBOSSED TAPE

NOTES

- 54819-0571の詳細はSD-54819-009参照
IN THE PACKAGE PART NO.54819-0571 DETAILED, SEE SD-54819-009
- 梱包数量: 800 個/リール
NUMBER OF CONNECTORS: 800 PCS/REEL
- リードテープ長さ
LEAD TAPE LENGTH



- トップテープの剥離強度: 0.1~0.7 N (10.2~71.4gf)
(剥離方向は下図参照) キャリアテープ幅: 24mm
PEEL-OFF FORCE OF TOP TAPE: 0.1~0.7 N (10.2~71.4gf)
(PEELING DIRECTION AS SHOWN IN FOLLOWING FIG.)
尚、本規格値は、出荷時に適用。
THIS REQUIREMENTS SHOULD BE APPLIED AT SHIPMENT
(但し、輸送時に剥離が発生しない事。)
(PEEL OFF SHOULD NOT BE ALLOWED, DURING TRANSPORTATION)



- 材料
MATERIAL
キャリアテープ: ポリプロピレン
CARRIER TAPE: POLYPROPYLENE
トップテープ: ポリエステル, ポリエチレン
TOP TAPE: POLYESTER, POLYETHYLENE
リール: ポリスチレン
REEL: POLYSTYRENE

DO NOT SCALE DRAWING

04 NO. DRAWN: CHK: APPR: 03 NO. DRAWN: CHK: APPR: 02 NO. DRAWN: CHK: APPR:	REVISED 01 NO. JD2001-1513 DRAWN: TAKAHASHI 01/05/21 CHK: MSASAO 01/05/21 APPR: MSASAO 01/05/21 RELEASED 00 NO. JD2001-0190 DRAWN: TAKAHASHI 00/08/02 CHK: MSASAO 00/08/02 APPR: HIKESUGI 00/08/02	MATERIAL 材料 SEE NOTES	GENERAL TOLERANCES: (UNLESS SPECIFIED) 一般公差 10 UNDER 未満 ±0.2 10 OVER 30 UNDER 未満 ±0.25 30 OVER 以上 ±0.3 ANGLE 角度 ±3°	SCALE 2-1 DESIGN UNITS <input checked="" type="checkbox"/> mm <input type="checkbox"/> INCH 2ND ANGLE PROJECTION TITLE: USB SERIES MINI-B REC. HS'G EMBOSSED ASS'Y MOLEX INCORPORATED	DIMENSIONS: <input type="checkbox"/> mm <input type="checkbox"/> INCH <input checked="" type="checkbox"/> mm ONLY SHT REVISE ON CAD ONLY	SHEET NO. 1 OF 1