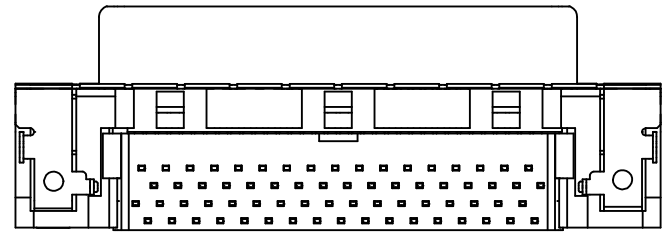
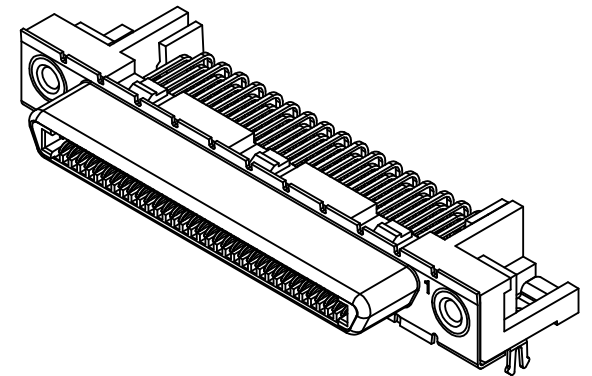
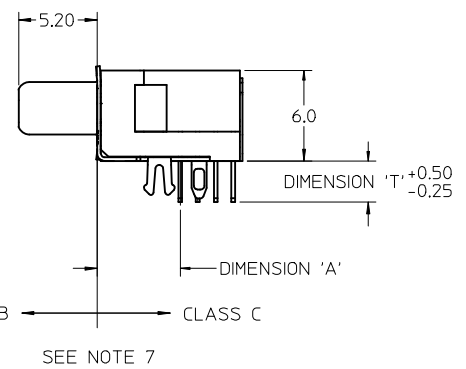
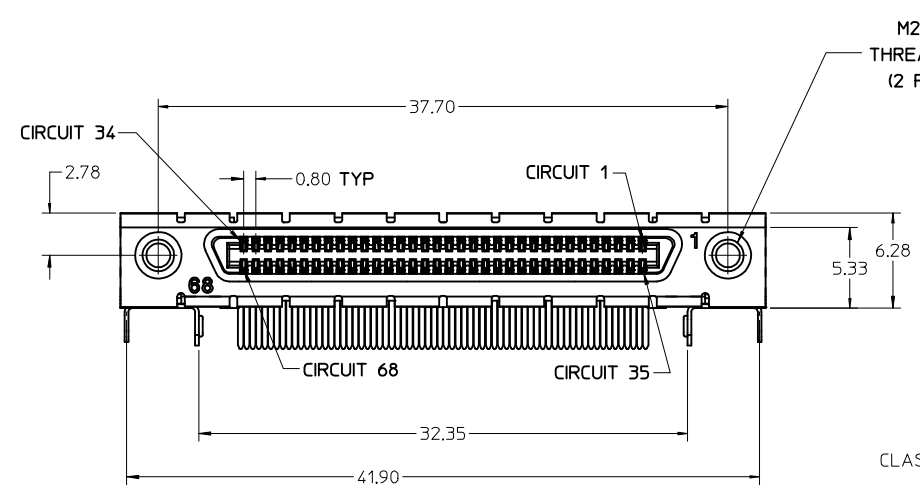
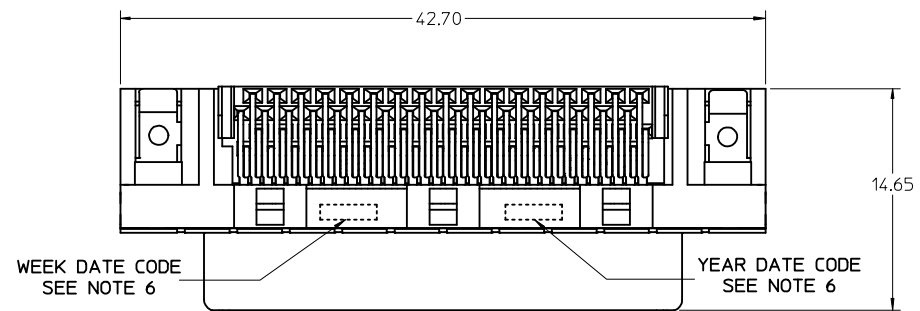


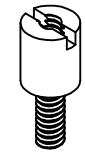
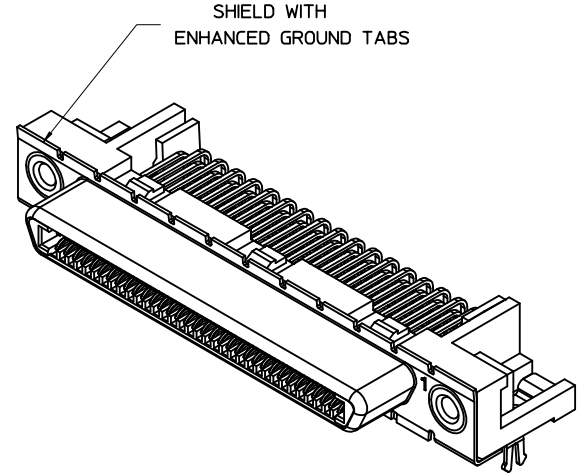
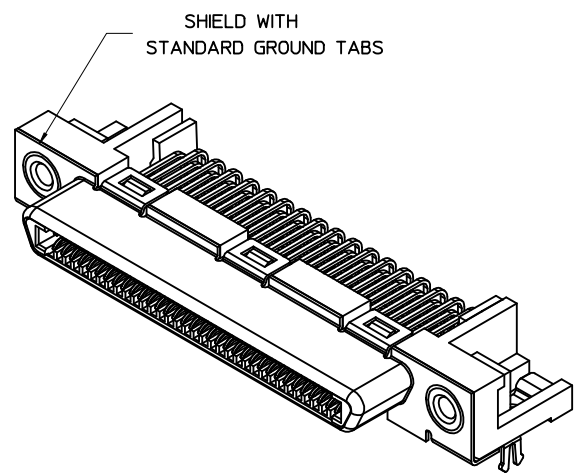
**NOTES:**

1. MATERIALS:  
 HOUSING: GLASS-FILLED LIQUID CRYSTAL POLYMER (LCP), UL94 V-0, COLOR: BLACK  
 TAIL ALIGNER: GLASS-FILLED LIQUID CRYSTAL POLYMER (LCP),  
 TERMINAL: PHOSPHOR BRONZE  
 BRACKET: BRASS  
 SHELL: STEEL  
 INSERT: BRASS
2. FINISHES:  
 TERMINAL: 0.05-0.25 MICROMETERS GOLD FLASH IN CRITICAL AREA  
 OVER 0.75 MICROMETERS MINIMUM PALLADIUM NICKEL IN  
 CRITICAL AREA. 1.87 MICROMETERS MINIMUM TIN IN  
 SOLDER TAIL AREA OVER A NICKEL UNDERPLATE.  
 SHIELD: 3.8 MICROMETERS MINIMUM BRIGHT TIN OVER NICKEL.  
 INSERT: 2.54 MICROMETERS MINIMUM NICKEL.
3. PART CONFORMS TO MOLEX PRODUCT SPECIFICATION PS-71425-9999.
4. PACKAGED PER PK-71430-0101.
5. APPLICABLE STANDARDS: EIA-3652 AND SFF-8441.
6. DATE CODE: YR/WK PER EIA-476-A.
7. PRODUCT COMPLIES WITH COSMETIC SPECIFICATION PS-45499-002.  
 SEE SIDE VIEW FOR SURFACE CLASSIFICATIONS.
8. TORQUE TO INSTALL SCREWLOCKS INTO THREADED INSERTS:  
 0.34 Nm MAXIMUM.



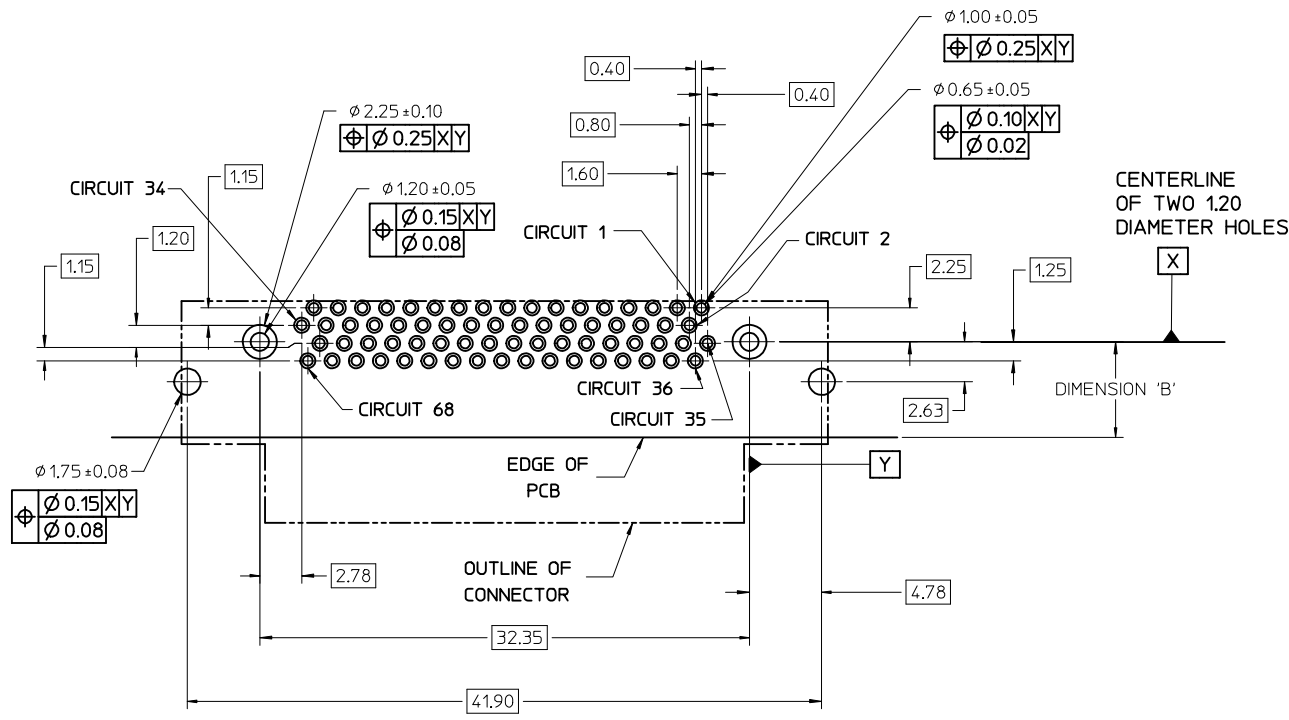
<b>FIX TAIL TOLERANCE</b> EC NO: UCP2012-3896 DRWN:BBARKER 2012/05/29 CHKD:MMOLFE APPR:SMILLER 2012/08/31	QUALITY SYMBOLS ∇=0 ∇=0 ∇=0	GENERAL TOLERANCES (UNLESS SPECIFIED)		DIMENSION STYLE <b>MM ONLY</b>	SCALE 4:1	DESIGN UNITS METRIC	THIRD ANGLE PROJECTION
		4 PLACES ± --- ± ---	DRAWN BY DATE KSTILES 11/14/2002	TITLE <b>VHDCl RIGHT ANGLE ASSEMBLY</b>			
		3 PLACES ± --- ± ---	CHECKED BY DATE KSTILES 11/15/2002	<b>molex</b>			
		2 PLACES ± 0.13 ± ---	APPROVED BY DATE MBNAKIS 11/22/2002	MATERIAL NO. <b>SEE SHEET 2</b>	DOCUMENT NO. SD-71430-015	SHEET NO. 1 OF 3	
1 PLACE ± 0.25 ± ---	ANGULAR ±1/2°		THIS DRAWING CONTAINS INFORMATION THAT IS PROPRIETARY TO MOLEX INCORPORATED AND SHOULD NOT BE USED WITHOUT WRITTEN PERMISSION				
0 PLACE ± ±	DRAFT WHERE APPLICABLE MUST REMAIN WITHIN DIMENSIONS						

PCB THICKNESS	PART NUMBER	TAIL LENGTH *T* (SEE FIGURE FOR TOLERANCE)	ENHANCED GROUND TABS	SCREWLOCKS	TAIL LOC. *A*	HOLE LOCATION *B*
1.60	71430-0101	2.08	NO	NONE	5.5	6.50 MAXIMUM
1.60	71430-0007	2.08	NO	LOOSE IN BAGS		
1.60	71430-0005	2.08	YES	NONE		
1.60	71430-0008	2.08	YES	LOOSE IN BAGS		
2.36	71430-0268	2.71	NO	NONE		
2.36	71430-0006	2.71	NO	INSTALLED		
2.36	71430-0004	2.71	YES	NONE		
2.36	71430-0009	2.71	YES	INSTALLED		
2.36	71430-0016	2.71	NO	LOOSE IN BAGS		
2.36	71430-0019	2.71	YES	LOOSE IN BAGS		
2.36	71430-0012	2.71	YES	NONE	5.3	6.30 MAXIMUM
1.60	71430-0013	2.08	YES	NONE		



OPTIONAL SCREWLOCK  
PART NUMBER 71433-0002

SEE SHEET 1 EC NO: UCP2012-3896 DRWN:BBARKER 2012/05/29 CHKD:MMOLFE APPR:SMILLER 2012/08/31	QUALITY SYMBOLS	GENERAL TOLERANCES (UNLESS SPECIFIED)	DIMENSION STYLE	SCALE	DESIGN UNITS	THIRD ANGLE PROJECTION
	▽=0	mm INCH	MM ONLY	4:1	METRIC	
	▽=0	4 PLACES ± --- ± ---	DRAWN BY DATE	TITLE		
	▽=0	3 PLACES ± --- ± ---	KSTILES 11/14/2002	VHDCI RIGHT ANGLE ASSEMBLY		
	▽=0	2 PLACES ± 0.13 ± ---	CHECKED BY DATE	<b>molex</b> DOCUMENT NO. SD-71430-015 SHEET NO. 2 OF 3		
	1 PLACE ± 0.25 ± ---	KSTILES 11/15/2002				
	0 PLACE ± ±	APPROVED BY DATE				
		MATERIAL NO. MBNAKIS 11/22/2002				
		ANGULAR ±1/2°				
		DRAFT WHERE APPLICABLE MUST REMAIN WITHIN DIMENSIONS				
		SIZE C	THIS DRAWING CONTAINS INFORMATION THAT IS PROPRIETARY TO MOLEX INCORPORATED AND SHOULD NOT BE USED WITHOUT WRITTEN PERMISSION			



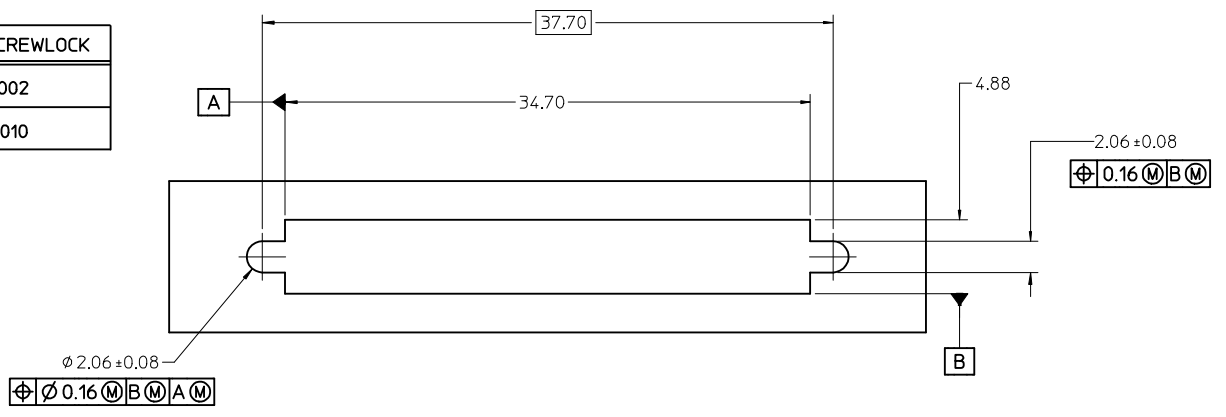
NOTES:

1. FOR FULL MATE WITH PLUG, PANEL THICKNESS SHOULD NOT EXCEED 1.0mm.

FUNCTIONAL MATING WITH MOLEX PLUG CAN STILL BE MAINTAINED WITH PANELS AS THICK AS 2.5mm (BUT PLUG AND RECEPTACLE WILL NOT BE FULLY MATED).

2. GUIDELINES FOR CHOOSING A MOLEX SCREWLOCK:

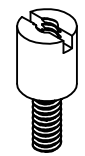
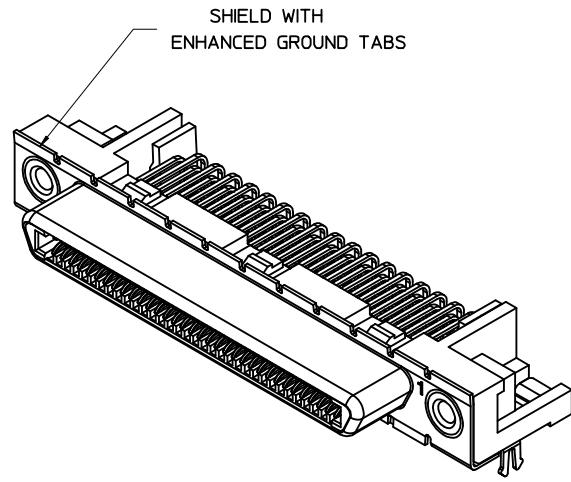
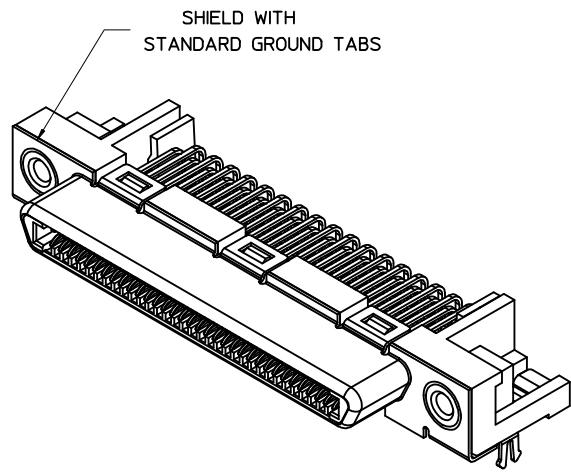
PANEL THICKNESS	RECOMMENDED SCREWLOCK
LESS THAN OR EQUAL TO 1.00 MM	71433-0002
1.01 TO 2.15 MM	71433-0010



SEE SHEET 1 EC NO: UCP2012-3896 DRWN:BBARKER 2012/05/29 CHKD:HWOLFE APPR:SMILLER 2012/08/31	QUALITY SYMBOLS	GENERAL TOLERANCES (UNLESS SPECIFIED)	DIMENSION STYLE	SCALE	DESIGN UNITS	THIRD ANGLE PROJECTION																		
	$\nabla = 0$ $\nabla = 0$ $\nabla = 0$	<table border="1"> <tr> <th></th> <th>mm</th> <th>INCH</th> </tr> <tr> <td>4 PLACES</td> <td>± ---</td> <td>± ---</td> </tr> <tr> <td>3 PLACES</td> <td>± ---</td> <td>± ---</td> </tr> <tr> <td>2 PLACES</td> <td>± 0.13</td> <td>± ---</td> </tr> <tr> <td>1 PLACE</td> <td>± 0.25</td> <td>± ---</td> </tr> <tr> <td>0 PLACE</td> <td>±</td> <td>±</td> </tr> </table>		mm	INCH	4 PLACES	± ---	± ---	3 PLACES	± ---	± ---	2 PLACES	± 0.13	± ---	1 PLACE	± 0.25	± ---	0 PLACE	±	±	MM ONLY	4:1	METRIC	
		mm	INCH																					
	4 PLACES	± ---	± ---																					
3 PLACES	± ---	± ---																						
2 PLACES	± 0.13	± ---																						
1 PLACE	± 0.25	± ---																						
0 PLACE	±	±																						
DESCRIPTION	ANGULAR ±1/2°	DRAWN BY	DATE	TITLE	VHCI RIGHT ANGLE ASSEMBLY																			
REV	DRAFT WHERE APPLICABLE MUST REMAIN WITHIN DIMENSIONS	CHECKED BY	DATE	APPROVED BY	DATE																			
N		MBNAK IS	11/22/2002	MATERIAL NO.	DOCUMENT NO.	SD-71430-015 SHEET NO. 3 OF 3																		
				THIS DRAWING CONTAINS INFORMATION THAT IS PROPRIETARY TO MOLEX INCORPORATED AND SHOULD NOT BE USED WITHOUT WRITTEN PERMISSION																				



PCB THICKNESS	PART NUMBER	TAIL LENGTH "T" +0.50/-0.25	ENHANCED GROUND TABS	SCREWLOCKS (SEE GUIDELINE FOR CHOOSING A SCREWLOCK ON SHEET 3)	TAIL LOCATION "A"	PCB HOLE LOCATION "B"
1.60		2.08	NO	NONE	5.50	6.50 MAXIMUM
1.60		2.08	NO	71433-2002 LOOSE IN BAGS		
1.60		2.08	YES	NONE		
1.60		2.08	YES	71433-2002 LOOSE IN BAGS		
2.36		2.71	NO	NONE		
2.36		2.71	NO	71433-2002 INSTALLED		
2.36		2.71	YES	NONE		
2.36		2.71	YES	71433-2002 INSTALLED		
2.36		2.71	NO	71433-2002 LOOSE IN BAGS		
2.36	71430-3019	2.71	YES	71433-2002 LOOSE IN BAGS		
2.79	71430-3020	3.62	YES	71433-2002 LOOSE IN BAGS	5.30	6.30 MAXIMUM
2.36		2.71	YES	NONE		
1.60		2.08	YES	NONE		



OPTIONAL SCREWLOCK  
PART NUMBER 71433-2002 SHOWN  
(SEE GUIDELINE FOR CHOOSING  
A SCREWLOCK ON SHEET 3)

SEE SHEET 1 EC NO: UCP2015-5280 DRWNT:IBARRA 2015/06/12 CHKD:BBARKER 2015/06/30 APPR:SMILLER 2015/07/20	QUALITY SYMBOLS ▽=0 ▽=0 ▽=0	GENERAL TOLERANCES (UNLESS SPECIFIED)		DIMENSION STYLE MM ONLY		SCALE 4:1	DESIGN UNITS METRIC	THIRD ANGLE PROJECTION		
		4 PLACES ± ---	± ---	mm	INCH	DRAWN BY DATE BBARKER 2011/02/17		VHDCI RIGHT ANGLE ASSEMBLY		
		3 PLACES ± ---	± ---			CHECKED BY DATE BSMART 2011/02/17				
		2 PLACES ± 0.13	± ---			APPROVED BY DATE SMILLER 2011/02/25		molex DOCUMENT NO. SD-71430-3000 SHEET NO. 2 OF 3		
		1 PLACE ± 0.25	± ---			DRAFT WHERE APPLICABLE MUST REMAIN WITHIN DIMENSIONS				
0 PLACE ±	±			ANGULAR ±1/2°		THIS DRAWING CONTAINS INFORMATION THAT IS PROPRIETARY TO MOLEX INCORPORATED AND SHOULD NOT BE USED WITHOUT WRITTEN PERMISSION				

