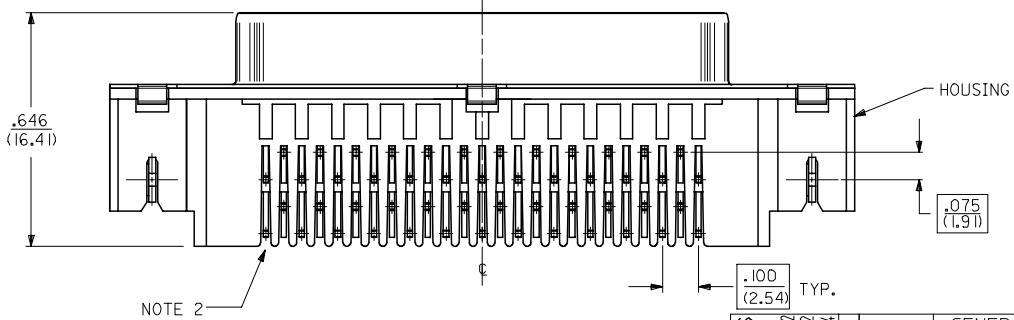
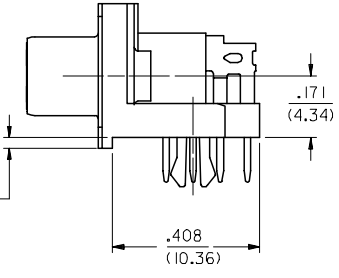
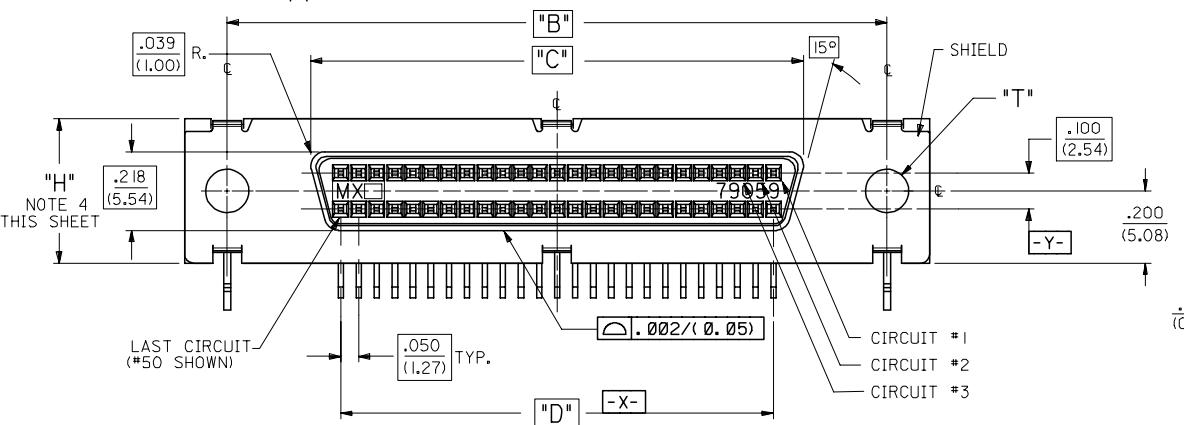
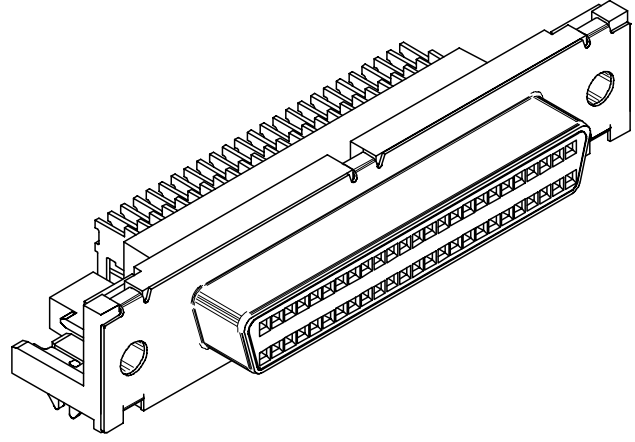
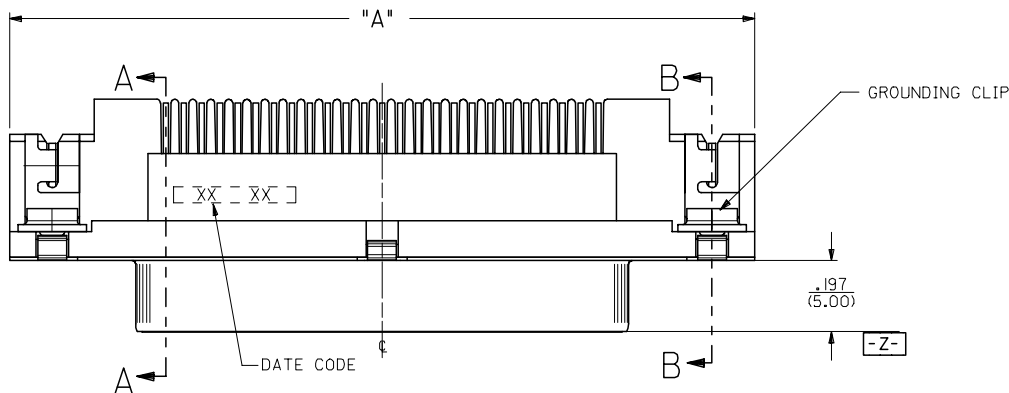


13 12 11 10 9 8 7 6 5 4 3 2 1

J  
I  
H  
G  
F  
E  
D  
C  
B  
A

J  
I  
H  
G  
F  
E  
D  
C  
B  
A



- NOTES:
- SEE SHEETS 3 AND 4 FOR PART NO.'S. AND CHARTED DIMENSIONS.
  - TAIL / PCB PATTERN FIXED AT LAST CIRCUIT POSITIONS FOR ALL CIRCUIT SIZES AT END SHOWN. (B12).
  - SEE SHEET 2 FOR ALL ADDITIONAL NOTES.
  - THE 'H' DIMENSION APPLIES ONLY TO THE PLASTIC HOUSING AND NOT THE SHIELD.

REMOVE OBSOLETE #S FC NO: UCP2006-2901 DRAWN:MS/BARRA CHKD:BBARKER APPR:SMILLER	2006/06/12 2006/06/12 2006/06/14	DESCRIPTION
---	--	-------------

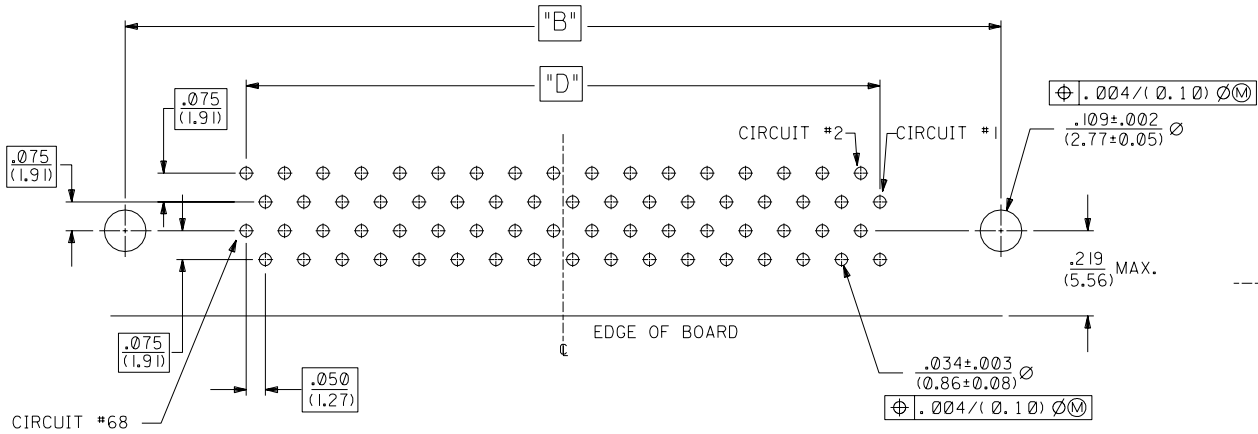
QUALITY SYMBOLS	GENERAL TOLERANCES (UNLESS SPECIFIED)
▽=0	mm INCH
▽=0	4 PLACES ± --- ± ---
	3 PLACES ± --- ± .005
	2 PLACES ± 0.13 ± ---
	1 PLACE ± --- ± ---
	ANGULAR ±1/2°
	DRAFT WHERE APPLICABLE MUST REMAIN WITHIN DIMENSIONS

DIMENSION STYLE		SCALE		DESIGN UNITS		THIRD ANGLE PROJECTION	
IN/MM		4:1		INCH		⊕	
DRAWN BY	DATE	TITLE					
JLONG	1989/03/27	SALES ASSEMBLY SCSI SHIELDED RECEPTACLE					
CHECKED BY	DATE						
BOWEN	1989/03/27						
APPROVED BY	DATE						
DJB	1989/03/27						
MATERIAL NO.	DOCUMENT NO.						
SEE TABLE	SDA-79059-1***						

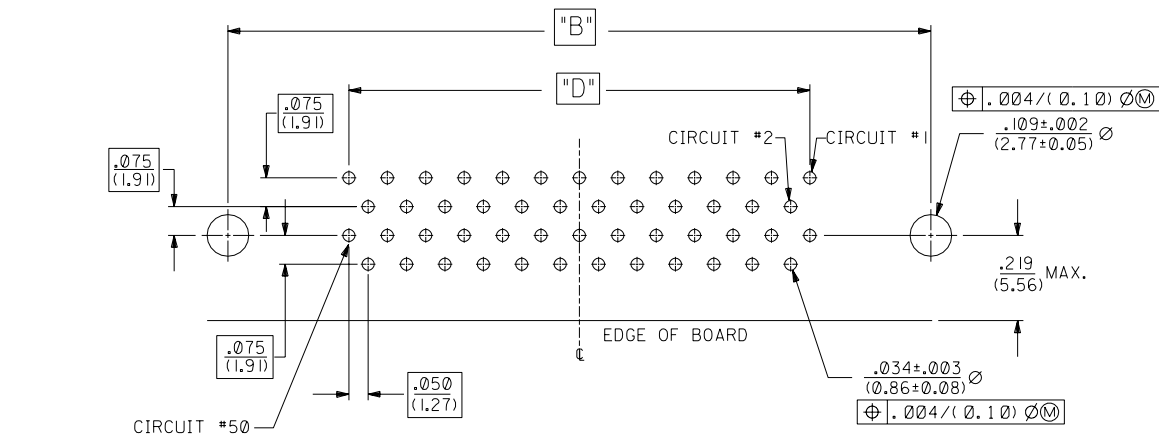
MATERIAL NO.		DOCUMENT NO.		SHEET NO.	
				1 OF 4	
THIS DRAWING CONTAINS INFORMATION THAT IS PROPRIETARY TO MOLEX INCORPORATED AND SHOULD NOT BE USED WITHOUT WRITTEN PERMISSION					

4	0
3	0
2	N
1	0
SHT	REV

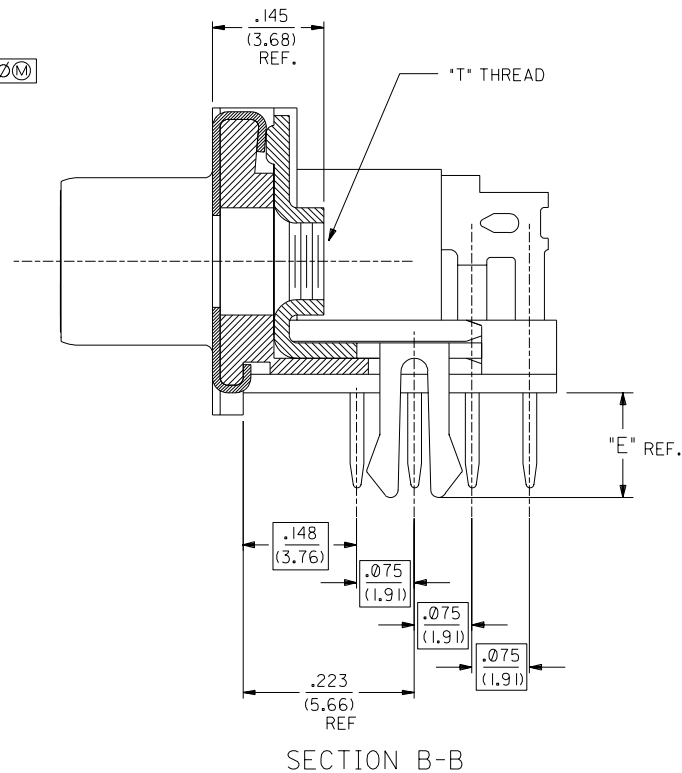
12 11 10 9 8 7 6 5 4 3 2 1



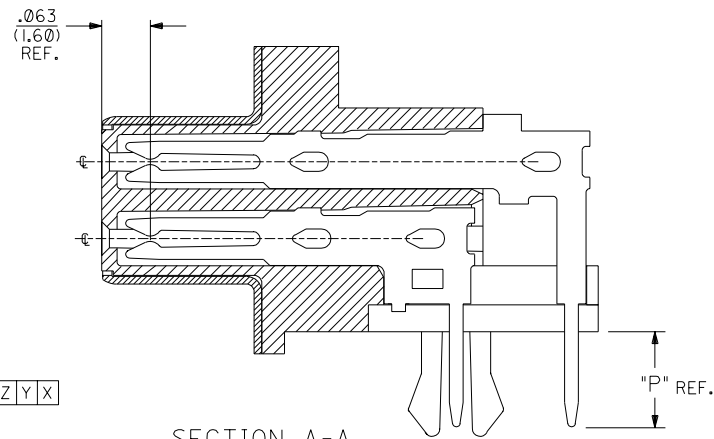
TYPE 1168 CKT P.C. BOARD LAYOUT  
CONNECTOR SIDE (SCALE 4:1)



TYPE 150 CKT P.C. BOARD LAYOUT  
CONNECTOR SIDE (SCALE 4:1)



SECTION B-B



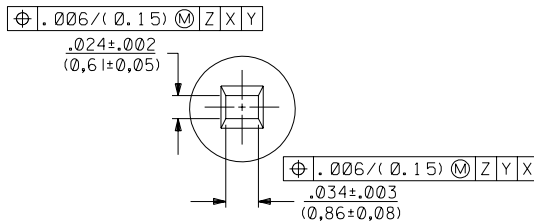
SECTION A-A

SEE NOTE 2 (SHEET 1)

NOTES:

- REFER TO PS-79058 PRODUCT SPEC. FOR ELECTRICAL, MECHANICAL AND ENVIRONMENTAL SPECIFICATIONS.
- MATERIAL:  
RECEPTACLE HOUSING: GLASS FILLED LCP (LIQUID CRYSTAL POLYMER); COLOR-BLACK; UL 94V-0  
CONTACTS: PHOSPHOR BRONZE  
SHIELD: STEEL WITH BRIGHT TIN OVER NICKEL PLATING OVER COPPER FLASH.  
GROUNDING CLIP: BRASS WITH TIN OVER NICKEL PLATE
- PACKAGING:  
PARTS PACKAGED IN TUBES PER PK-70873-0207
- PLATING:  
SELECTIVE GOLD: THICKNESS= 30 MICROINCHES/(0.76 MICROMETERS) MINIMUM.  
SELECTIVE TIN: THICKNESS= 75 MICROINCHES/(1.90 MICROMETERS) MINIMUM.  
NICKEL UNDERPLATE OVERALL.

NOTE FOR LEAD FREE CONVERSION:  
THE PRIMARY SHIPPING CARTON WILL BE LABELED "COMPLIANT TO RoHS DIRECTIVE 2002/95/EC AND ELV ANNEX II OF DIRECTIVE 2000/53/EC". CARTONS WITHOUT THIS LABEL MAY CONTAIN PRODUCT WITH LEAD.



PIN WINDOW DETAIL

SCALE 10:1

LTR.	REVISIONS	LTR.	REVISIONS

DIMENSIONS SHOWN (METRIC) INCH	
UNLESS OTHERWISE SPECIFIED TOLERANCES: ANGULAR ± 1/2°	
3 PLACE ± .005	---
2 PLACE ± ---	± 0.15
1 PLACE ---	± ---
DRAFT WHERE APPLICABLE MUST REMAIN WITHIN DIMENSIONS	
DRWG. BY: J. J. J.	CHK'D. BY: BOWEN
APP'D. BY: DJB	SCALE: 8:1

MFG. SH. REV.		REVISE ONLY ON CAD SYSTEM	
TITLE: SCSI SHIELDED RECEPTACLE ASSEMBLY			
MOLEX INCORPORATED	SHEET NO. 2	DATE 08/14/89	
FILE NAME: S79059A2.DGN	THIS DRAWING CONTAINS INFORMATION THAT IS PROPRIETARY TO MOLEX INC. AND SHOULD NOT BE USED WITHOUT WRITTEN PERMISSION.		
DC	SIZE	DC	C

ASSEMBLIES WITH .078 DIAMETER END HOLES IN HOUSING AND #2-56 GND CLIPS

J	EDP/ITEM NUMBER	CKT. SIZE	HOUSING HOLE DIA.	DIM. T GND. CLIP THREAD	DIM. A		DIM. B		DIM. C		DIM. D		DIM. E		DIM. H		DIM. P		RECMD PCB	
					INCH	MM	INCH	MM	INCH	MM	INCH	MM	INCH	MM	INCH	MM	INCH	MM	INCH	MM
X		50	.078	2-56	2.065	52.54	1.830	46.48	1.366	34.69	1.200	30.48	.105	2.67	.400	10.16	.125	3.18	.062	1.57
X		68	.078	2-56	2.515	63.88	2.280	57.91	1.816	46.13	1.650	41.91	.105	2.67	.400	10.16	.125	3.18	.062	1.57
X		50	.078	2-56	2.065	52.54	1.830	46.48	1.366	34.69	1.200	30.48	.136	3.45	.400	10.16	.125	3.18	.093	2.36
X		68	.078	2-56	2.515	63.88	2.280	57.91	1.816	46.13	1.650	41.91	.136	3.45	.400	10.16	.125	3.18	.093	2.36
X		50	.078	2-56	2.065	52.54	1.830	46.48	1.366	34.69	1.200	30.48	.168	4.27	.400	10.16	.165	4.19	.125	3.18
X		68	.078	2-56	2.515	63.88	2.280	57.91	1.816	46.13	1.650	41.91	.168	4.27	.400	10.16	.165	4.19	.125	3.18

X - NOT TOOLED

ASSEMBLIES WITH .105 DIAMETER END HOLES IN HOUSING AND #4-40 GND CLIPS

	015-87-6040	50	.105	4-40	2.065	52.54	1.830	46.48	1.366	34.69	1.200	30.48	.105	2.67	.400	10.16	.125	3.18	.062	1.57
	015-87-6200	68	.105	4-40	2.515	63.88	2.280	57.91	1.816	46.13	1.650	41.91	.105	2.67	.400	10.16	.125	3.18	.062	1.57
	015-87-6041	50	.105	4-40	2.065	52.54	1.830	46.48	1.366	34.69	1.200	30.48	.136	3.45	.400	10.16	.125	3.18	.093	2.36
	015-87-6201	68	.105	4-40	2.515	63.88	2.280	57.91	1.816	46.13	1.650	41.91	.136	3.45	.400	10.16	.125	3.18	.093	2.36
X		50	.105	4-40	2.065	52.54	1.830	46.48	1.366	34.69	1.200	30.48	.168	4.27	.400	10.16	.165	4.19	.125	3.18
X		68	.105	4-40	2.515	63.88	2.280	57.91	1.816	46.13	1.650	41.91	.168	4.27	.400	10.16	.165	4.19	.125	3.18

X - NOT TOOLED

NOTE: ASSEMBLIES LISTED ON THIS SHEET HAVE A SMALLER HOLE DIAMETER FOR INSERTION OF SCREWLOCKS USING A POWER DRIVER.

REMOVE OBSOLETE #S FIC NO. UICP2006-2901 DRAWN BY: BARRA 2006/06/12 CHKD: BARKER 2006/06/12 APPR: SMILLER 2006/06/14 REV	QUALITY SYMBOLS ▽=0 ▽=0	GENERAL TOLERANCES (UNLESS SPECIFIED)		DIMENSION STYLE IN/MM		SCALE ---	DESIGN UNITS INCH	THIRD ANGLE PROJECTION	
		mm	INCH	DRAWN BY JLONG	DATE 1997/09/29	TITLE SCSI SHIELDED RECEPTACLE ASSEMBLY			
4 PLACES ± --- ± ---		3 PLACES ± --- ± .005		CHECKED BY JLONG		DATE 1997/09/29		APPROVED BY DJB	
2 PLACES ± 0.13 ± ---		1 PLACE ± --- ± ---		MATERIAL NO.		DATE 1997/09/29		DOCUMENT NO. SDA-79059-1***	
ANGULAR ±1/2°		DRAFT WHERE APPLICABLE MUST REMAIN WITHIN DIMENSIONS		SEE TABLE		SHEET NO. 3 OF 4		MATERIAL NO. SDA-79059-1***	
THIS DRAWING CONTAINS INFORMATION THAT IS PROPRIETARY TO MOLEX INCORPORATED AND SHOULD NOT BE USED WITHOUT WRITTEN PERMISSION									