

F

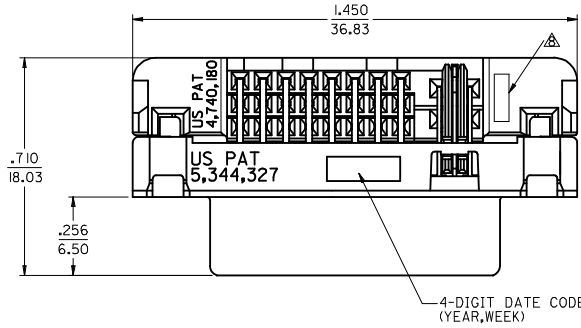
E

D

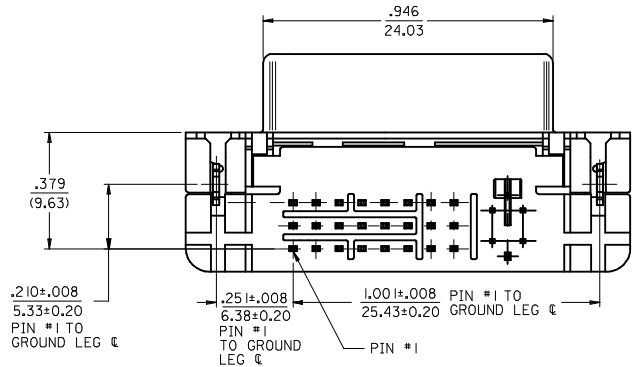
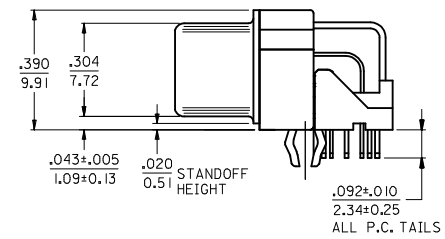
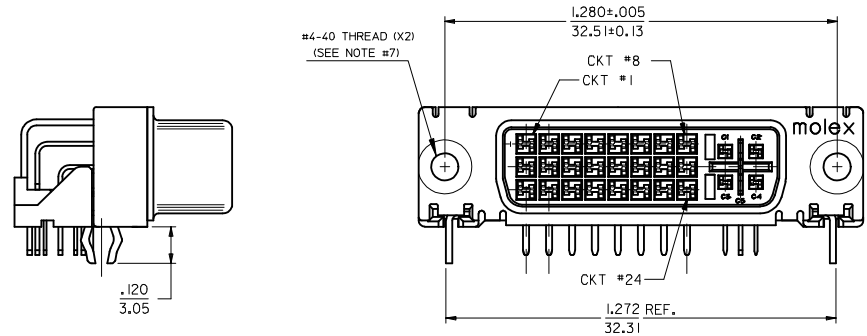
C

B

A



- NOTES:
- MATERIAL:
 - SHIELD: DEEP DRAW STEEL;
 - HOUSING: LCP, UL94V-0, NATURAL (WHITE);
 - TAIL ALIGNER: LCP, UL94V-0, NATURAL (WHITE);
 - CONTACT: COPPER ALLOY.
 - PLATING: SEE SHEET 2.
 - PRODUCT CONFORMS TO MOLEX PRODUCT SPECIFICATION NUMBER PS-74320-001.
 - SEE SHEET 2 FOR RECOMMENDED PANEL CUT-OUT AND P.C.B. LAYOUT.
 - PARTS WILL BE PACKAGED IN TRAYS PER PK-74320-010.
 - PRODUCT CONFORMS TO DDWG DVI SPECIFICATION. REFER TO THIS SPECIFICATION FOR CONNECTOR MATING DIMENSIONS.
 - RECOMMENDED MOUNTING HARDWARE IS MOLEX P/N 71781-0001 OR 82007-0300 OR 88780-6066. REFER TO PRODUCT SPECIFICATION NUMBER PS-74320-001 FOR THIS APPLICATION TORQUE REQUIREMENT FOR ASSEMBLING MOUNTING HARDWARE.
- ⚠ CAVITY ID AND MANUFACTURING PLANT CODE.



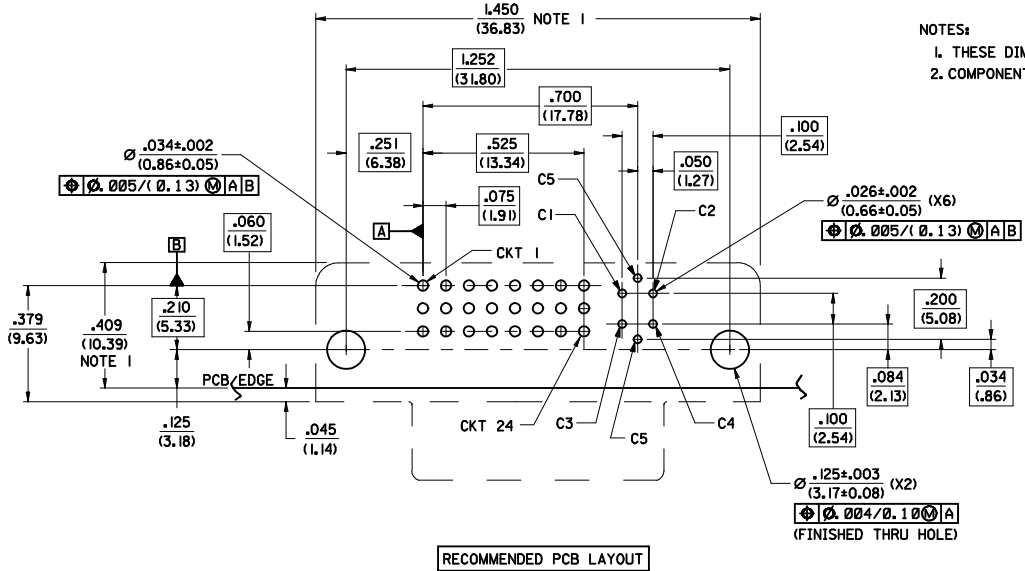
PART NUMBER	PLATING OPTION
74320-9010	1
74320-9014	2

REV	DESCRIPTION
REVISED	EC NO: SH2015-0200
	DRWN:XOZHANG 2014/12/11
	CHKD:XOZHANG 2014/12/11
	APPR:AYIN 2015/02/09

QUALITY SYMBOLS	GENERAL TOLERANCES (UNLESS SPECIFIED)
$\nabla = 0$	mm INCH
$\nabla = 0$	4 PLACES ± --- ± ---
$\nabla = 0$	3 PLACES ± --- ± 0.010
	2 PLACES ± 0.25 ± 0.010
	1 PLACE ± 0.25 ± 0.010
	0 PLACE ± --- ± ---
	ANGULAR ± 0.5°
	DRAFT WHERE APPLICABLE MUST REMAIN WITHIN DIMENSIONS

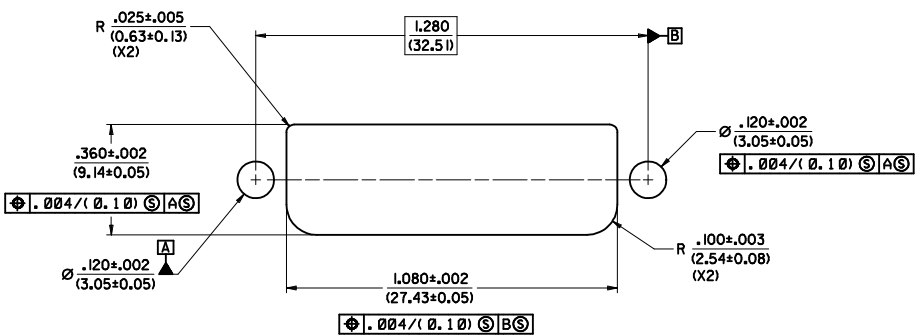
DIMENSION STYLE		SCALE	DESIGN UNITS	THIRD ANGLE PROJECTION
IN/MM		1:1	INCH	⊙
DRAWN BY	DATE	TITLE		
XJSONG	2011/08/18	DVI-I RIGHT ANGLE RECEPTACLE CONNECTOR W/FORKLOCK		
CHECKED BY	DATE			
XJSONG	2011/08/18			
APPROVED BY	DATE			
RZHANG	2011/08/22			
MATERIAL NO.		DOCUMENT NO.		SHEET NO.
SEE TABLE		SD-74320-026		1 OF 2

DRAWN BY		DATE	TITLE	
XJSONG		2011/08/18	DVI-I RIGHT ANGLE RECEPTACLE CONNECTOR W/FORKLOCK	
CHECKED BY		DATE		
XJSONG		2011/08/18		
APPROVED BY		DATE		
RZHANG		2011/08/22		
MATERIAL NO.		DOCUMENT NO.		SHEET NO.
SEE TABLE		SD-74320-026		1 OF 2



NOTES:
 1. THESE DIMENSIONS REPRESENT CONNECTOR OVERLAY ON PCB.
 2. COMPONENT SIDE OF PCB SHOWN.

RECOMMENDED PCB LAYOUT



RECOMMENDED PANEL CUT-OUT

NOTE:
 1. PANEL THICKNESS: .030\"/>

PLATING OPTIONS:
PLATING OPTION #1:
 OUTER SHIELD -- 150u\"/>

SEE SHEET 1 EC NO: SH2015-0200 DRWN: XQZHANG 2014/12/11 CHKD: XQZHANG 2014/12/11 APPR: AYIN 2015/02/09	QUALITY SYMBOLS	GENERAL TOLERANCES (UNLESS SPECIFIED)		DIMENSION STYLE	SCALE	DESIGN UNITS	THIRD ANGLE PROJECTION
	$F_A = 0$ $F_C = 0$ $F_P = 0$	mm INCH 4 PLACES ± --- ± --- 3 PLACES ± --- ± 0.10 2 PLACES ± 0.25 ± 0.10 1 PLACE ± 0.25 ± 0.10 0 PLACE ± --- ± ---	IN/MM	1:1	INCH	DVI-I RIGHT ANGLE RECEPTACLE CONNECTOR W/FORKLOCK molex	
	ANGULAR ± 0.5° DRAFT WHERE APPLICABLE MUST REMAIN WITHIN DIMENSIONS	DRAWN BY: XJSONG DATE: 2011/08/18 CHECKED BY: DATE: 2011/08/18 APPROVED BY: RZHANG DATE: 2011/08/22	MATERIAL NO. SEE SHEET 1 SIZE A 3	DOCUMENT NO. SD-74320-026 SHEET NO. 2 OF 2			