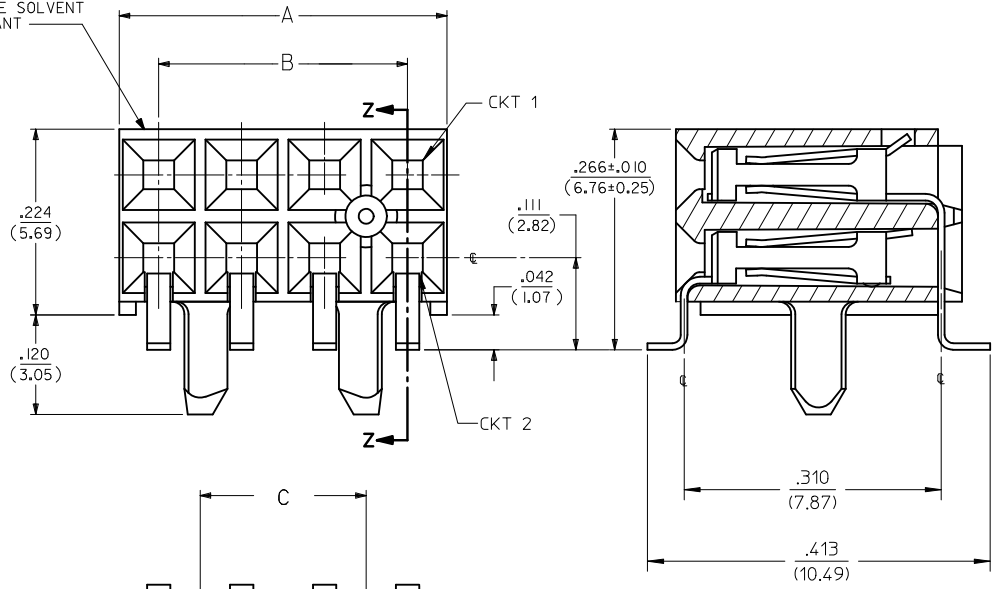
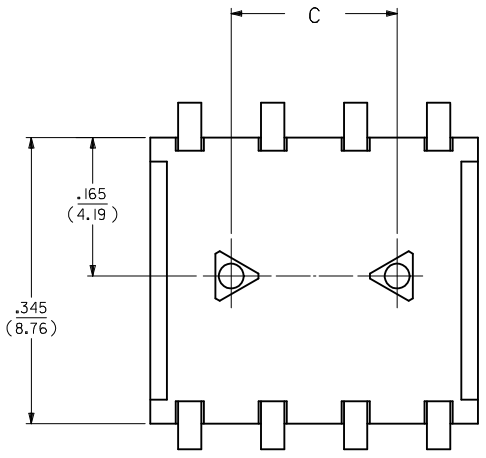


4 DIGIT DATE CODE ON THIS SURFACE, MUST BE SOLVENT RESISTANT



SECTION Z-Z



OPTION A ASSEMBLY
(ASSEMBLY WITH PEG AND WITHOUT LOWER ROW PINSTOP)

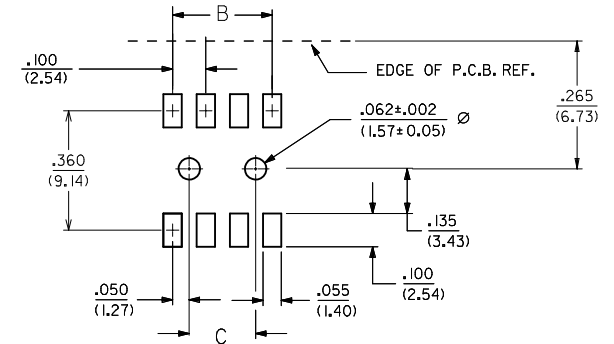
NOTES:

- 1.) MATERIALS:
HOUSING - LCP, 94V-0, BLACK
TERMINAL - PHOS. BRONZE ALLOY
- 2.) 8 CKT SHOWN FOR ILLUSTRATION PURPOSES. SEE CHART ON SHEET 7 FOR OTHER SIZES.
- 3.) SCRATCHES AND BURNISHING ALLOWED ON TERMINAL TAILS PROVIDING BASE METAL IS NOT EXPOSED, EXCEPT AT TRIMMED END.
- 4.) RECOMMENDED MATING PIN LENGTHS:
LOWER ROW - .200" MIN./ .285" MAX.
UPPER ROW - .200" MIN.
- 5.) REFER TO PS-71973-9999 FOR PERFORMANCE DATA.

PLATING:

- 15 GOLD 15 MICROINCH MINIMUM SELECTIVE GOLD IN THE CONTACT AREA; 75 MICROINCH MINIMUM SELECTIVE TIN IN THE PC TAIL AREA OVER 50 MICROINCH MINIMUM NICKEL OVERALL.
- 30 GOLD 30 MICROINCH MINIMUM SELECTIVE GOLD IN THE CONTACT AREA; 75 MICROINCH MINIMUM SELECTIVE TIN IN THE PC TAIL AREA OVER 50 MICROINCH MINIMUM NICKEL OVERALL.
- 50 GOLD 50 MICROINCH MINIMUM SELECTIVE GOLD IN THE CONTACT AREA; 75 MICROINCH MINIMUM SELECTIVE TIN IN THE PC TAIL AREA OVER 50 MICROINCH MINIMUM NICKEL OVERALL.

*THE PRIMARY SHIPPING CARTON WILL BE LABELED "COMPLIANT TO RoHS DIRECTIVE 2002/95/EC AND ELV ANNEX II OF DIRECTIVE 2000/53/EC". CARTONS WITHOUT THIS LABEL MAY CONTAIN PRODUCT WITH LEAD.



RECOMMENDED P.C.B. LAYOUT

REVISED AS PER GCN#10501265

EC NO: S2012-0693 DRWN:ATSEE CHKD:SKANG APPR:MLONG 2012/03/09 2012/03/09 2012/04/25	DESCRIPTION H3	QUALITY SYMBOLS	GENERAL TOLERANCES (UNLESS SPECIFIED)	DIMENSION STYLE	SCALE	DESIGN UNITS	THIRD ANGLE PROJECTION
		▽=0 ∠=0	mm INCH 4 PLACES ± --- ± --- 3 PLACES ± --- ± --- 2 PLACES ± --- ± .01 1 PLACE ± 0.25 ± --- ANGULAR ± 1/2°	IN/MM DRAWN BY: DJB DATE: 1995/03/15 CHECKED BY: DATE: 1995/03/15 APPROVED BY: MLONG DATE: 2012/04/25	NTS TITLE: SMT RECEPTACLE RIGHT ANGLE, DUAL ROW WITH AND WITHOUT PEG	INCH MOLEX INCORPORATED	SHEET NO. 1 OF 2
		DRAFT WHERE APPLICABLE MUST REMAIN WITHIN DIMENSIONS	MATERIAL NO. SEE TABLE	DOCUMENT NO. SD-71979-001	THIS DRAWING CONTAINS INFORMATION THAT IS PROPRIETARY TO MOLEX INCORPORATED AND SHOULD NOT BE USED WITHOUT WRITTEN PERMISSION		

NO. OF CKTS		OPTION A ASSEMBLY PLATINGS PER ES-88-(****) (SEE SHEET I FOR PLATING SPECIFICATIONS)					DIMENSION				NO. OF CKTS		OPTION A ASSEMBLY PLATINGS PER ES-88-(****) (SEE SHEET I FOR PLATING SPECIFICATIONS)					DIMENSION					
PER ROW	TOTAL				15 GOLD	30 GOLD	50 GOLD	A	B	C		PER ROW	TOTAL				15 GOLD	30 GOLD	50 GOLD	A	B	C	
F	4	8			71979-0204	71979-0304	71979-0404	.395 (10.03)	.300 (7.62)	.200 (5.08)		34	68			71979-0234	71979-0334	71979-0434	3.395 (86.23)	3.300 (83.82)	3.200 (81.28)		
	5	10			71979-0205	71979-0305	71979-0405	.495 (12.57)	.400 (10.16)	.300 (7.62)		35	70			71979-0235	71979-0335	71979-0435	3.495 (88.77)	3.400 (86.36)	3.300 (83.82)		
	6	12			71979-0206	71979-0306	71979-0406	.595 (15.11)	.500 (12.70)	.400 (10.16)		36	72			71979-0236	71979-0336	71979-0436	3.595 (91.31)	3.500 (88.90)	3.400 (86.36)		
	7	14			71979-0207	71979-0307	71979-0407	.695 (17.65)	.600 (15.24)	.500 (12.70)													
	8	16			71979-0208	71979-0308	71979-0408	.795 (20.19)	.700 (17.78)	.600 (15.24)													
	9	18			71979-0209	71979-0309	71979-0409	.895 (22.73)	.800 (20.32)	.700 (17.78)													
	10	20			71979-0210	71979-0310	71979-0410	.995 (25.27)	.900 (22.86)	.800 (20.32)													
E	11	22			71979-0211	71979-0311	71979-0411	1.095 (27.81)	1.000 (25.40)	.900 (22.86)													
	12	24			71979-0212	71979-0312	71979-0412	1.195 (30.35)	1.100 (27.94)	1.000 (25.40)													
	13	26			71979-0213	71979-0313	71979-0413	1.295 (32.89)	1.200 (30.48)	1.100 (27.94)													
	14	28			71979-0214	71979-0314	71979-0414	1.395 (35.43)	1.300 (33.02)	1.200 (30.48)													
	15	30			71979-0215	71979-0315	71979-0415	1.495 (37.97)	1.400 (35.56)	1.300 (33.02)													
	16	32			71979-0216	71979-0316	71979-0416	1.595 (40.51)	1.500 (38.10)	1.400 (35.56)													
	17	34			71979-0217	71979-0317	71979-0417	1.695 (43.05)	1.600 (40.64)	1.500 (38.10)													
D	18	36			71979-0218	71979-0318	71979-0418	1.795 (45.59)	1.700 (43.18)	1.600 (40.64)													
	19	38			71979-0219	71979-0319	71979-0419	1.895 (48.13)	1.800 (45.72)	1.700 (43.18)													
	20	40			71979-0220	71979-0320	71979-0420	1.995 (50.67)	1.900 (48.26)	1.800 (45.72)													
	21	42			71979-0221	71979-0321	71979-0421	2.095 (53.21)	2.000 (50.80)	1.900 (48.26)													
	22	44			71979-0222	71979-0322	71979-0422	2.195 (55.75)	2.100 (53.34)	2.000 (50.80)													
	23	46			71979-0223	71979-0323	71979-0423	2.295 (58.29)	2.200 (55.88)	2.100 (53.34)													
	24	48			71979-0224	71979-0324	71979-0424	2.395 (60.83)	2.300 (58.42)	2.200 (55.88)													
	25	50			71979-0225	71979-0325	71979-0425	2.495 (63.37)	2.400 (60.96)	2.300 (58.42)													
C	26	52			71979-0226	71979-0326	71979-0426	2.595 (65.91)	2.500 (63.50)	2.400 (60.96)													
	27	54			71979-0227	71979-0327	71979-0427	2.695 (68.45)	2.600 (66.04)	2.500 (63.50)													
	28	56			71979-0228	71979-0328	71979-0428	2.795 (70.99)	2.700 (68.58)	2.600 (66.04)													
	29	58			71979-0229	71979-0329	71979-0429	2.895 (73.53)	2.800 (71.12)	2.700 (68.58)													
	30	60			71979-0230	71979-0330	71979-0430	2.995 (76.07)	2.900 (73.66)	2.800 (71.12)													
	31	62			71979-0231	71979-0331	71979-0431	3.095 (78.61)	3.000 (76.20)	2.900 (73.66)													
	32	64			71979-0232	71979-0332	71979-0432	3.195 (81.15)	3.100 (78.74)	3.000 (76.20)													
B	33	66			71979-0233	71979-0333	71979-0433	3.295 (83.69)	3.200 (81.28)	3.100 (78.74)													

NOTE: ALL CONNECTORS ARE PACKAGED IN TUBES PER PK-70873-0138

REVISED AS PER
GCN# 10501265
ECN# S2012-0693
2012/03/09
DRWINATSEE
CHYKD:SKANG
2012/03/09
APPR:MLONG
2012/04/25

QUALITY SYMBOLS
▽=0
▽C=0
DESCRIPTION
REV

GENERAL TOLERANCES (UNLESS SPECIFIED)
mm INCH
4 PLACES ± --- ± ---
3 PLACES ± --- ± ---
2 PLACES ± --- ± .01
1 PLACE ± 0.25 ± ---
ANGULAR ± 1/2°
DRAFT WHERE APPLICABLE
MUST REMAIN WITHIN DIMENSIONS

DIMENSION STYLE IN/MM
DRAWN BY DJB DATE 1995/03/15
CHECKED BY DJB DATE 1995/03/15
APPROVED BY MLONG DATE 2012/04/25
MATERIAL NO.
SEE TABLE

SCALE NTS
DESIGN UNITS INCH
THIRD ANGLE PROJECTION
TITLE
SMT RECEPTACLE
RIGHT ANGLE, DUAL ROW
WITH AND WITHOUT PEG
MOLEX INCORPORATED
DOCUMENT NO. SD-71979-001
SHEET NO. 2 OF 2
THIS DRAWING CONTAINS INFORMATION THAT IS PROPRIETARY TO MOLEX INCORPORATED AND SHOULD NOT BE USED WITHOUT WRITTEN PERMISSION