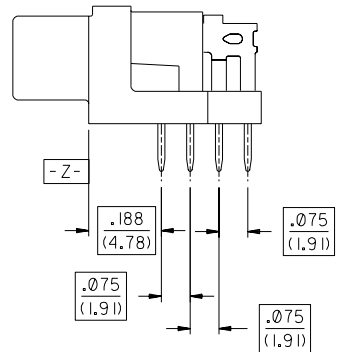
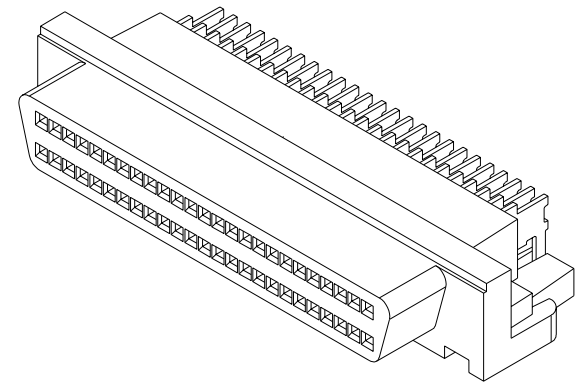


DETAIL "A"
SCALE 10:1



RETENTION TAIL OPTION
A-71061-1*** AND A-71061-3***

NOTES:

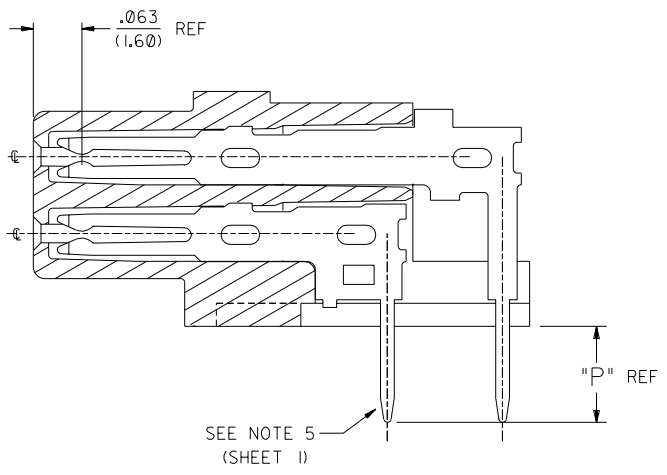
- REFER TO PS-79058 PRODUCT SPEC. FOR ELECTRICAL, MECHANICAL AND ENVIRONMENTAL SPECIFICATIONS.
- MATERIAL:
RECEPTACLE HOUSING: GLASS FILLED LCP (LIQUID CRYSTAL POLYMER); COLOR - BLACK; UL 94V-0
TERMINALS: PHOSPHOR BRONZE
- PACKAGING:
PARTS PACKAGED IN TUBES PER PK-70873-0423
- SEE SHEET 5 FOR CHARTED DIMENSIONS.
- FOR FIXED TAIL/PCB PATTERN AT LAST CIRCUIT POSITIONS REFER TO SECTION A-A ON SHEETS 2 AND 3, AND PCB LAYOUT SHOWN ON SHEETS 4 AND 5.

PLATING FINISH

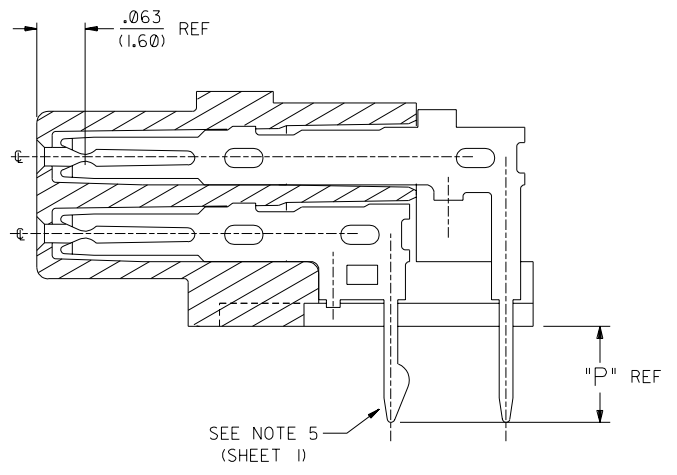
SELECTIVE GOLD: THICKNESS= 30 MICROINCHES/(0.76 MICROMETERS) MINIMUM.
SELECTIVE TIN: THICKNESS= 75 MICROINCHES/(1.90 MICROMETERS) MINIMUM.
NICKEL UNDERPLATE OVERALL.

NOTE FOR LEAD FREE CONVERSION:
THE PRIMARY SHIPPING CARTON WILL BE LABELED "COMPLIANT TO ROHS DIRECTIVE 2002/95/EC AND ELV ANNEX II OF DIRECTIVE 2000/53/EC". CARTONS WITHOUT THIS LABEL MAY CONTAIN PRODUCT WITH LEAD.

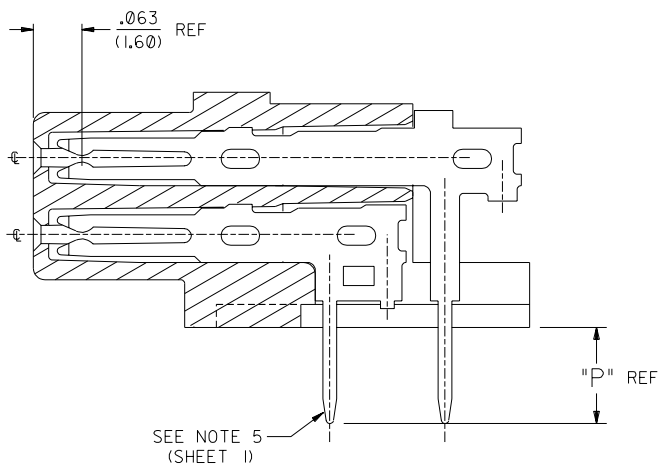
LTR. REVISIONS		LTR. REVISIONS		DIMENSIONS SHOWN (METRIC) INCH UNLESS OTHERWISE SPECIFIED TOLERANCES: ANGULAR ± 1/2° 3 PLACE ± .005 --- 2 PLACE ± --- ± 0.13 1 PLACE --- ± --- DRAFT WHERE APPLICABLE MUST REMAIN WITHIN DIMENSIONS DRWG. BY: J. Long CHK'D BY: J. Long APP'D. BY: DJB SCALE: 4 1		REVISE ONLY ON CAD SYSTEM TITLE: SALES ASSEMBLY SCSI RECEPTACLE MOLEX INCORPORATED SHEET NO. DATE LISLE, ILL. 60532 U.S.A. 1 of 5 95/03/02 PART NO. DRWG. NO. SEE SHEET 5 SDA-71061-*** THIS DRAWING CONTAINS INFORMATION THAT IS PROPRIETARY TO MOLEX INC. AND SHOULD NOT BE USED WITHOUT WRITTEN PERMISSION.	
E ADDED -3* SERIES EC #UDT2000-0115 J. LONG 95/07/30 G OBSOLETE PART # ECN# UCP2005-0311 BSMART 04/08/09 F LEADFREE ECN# UCP2004-1925 DMORGAN 04/04/06		DI ADDED DATE CODE PER EC # U80357 J. LONG 97/07/24 D ADDED NEW TAIL PATTERN PER ECN # U60600 95/11/14 J. LONG		5 G 4 G 3 G 2 G 1 G MFG. SH. REV.		DIV. SIZE dc C	



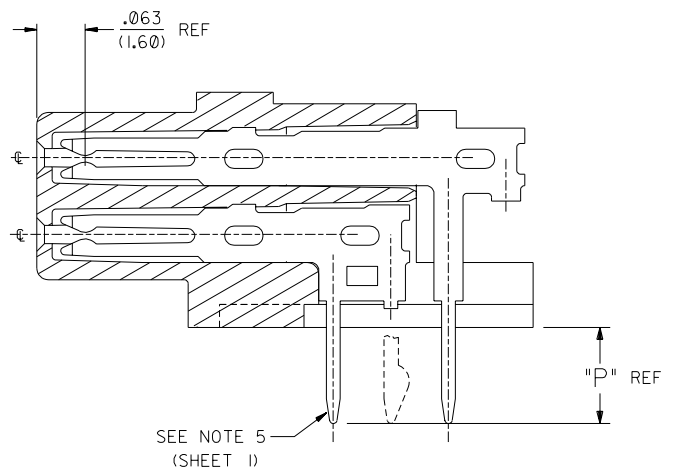
FOR 50 CIRCUIT ASSEMBLIES
A-71061-0***



FOR 50 CIRCUIT ASSEMBLIES
A-71061-1***



FOR 68 CIRCUIT ASSEMBLIES
SECTION A-A
A-71061-0***



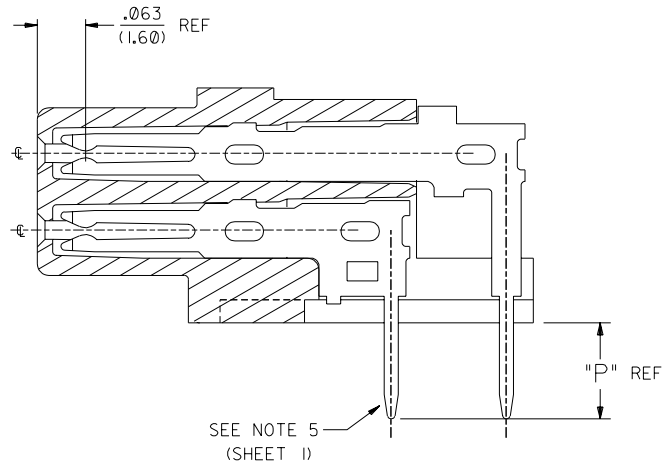
FOR 68 CIRCUIT ASSEMBLIES
SECTION A-A
FOR RETENTION TAIL OPTION
A-71061-1***

** TYPE I TAIL OPTIONS **

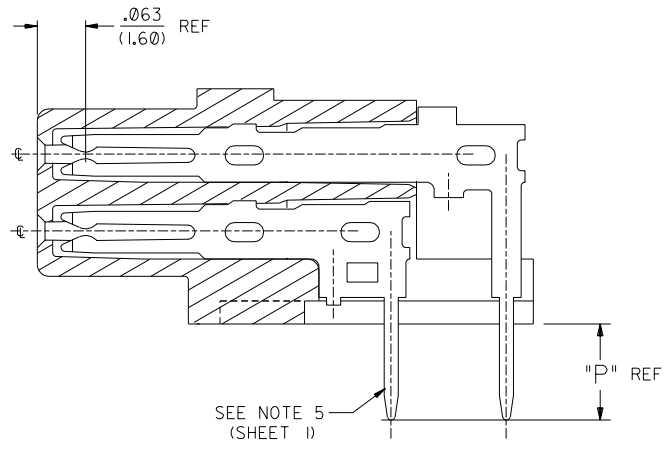
		D	SEE SHEET 1
G	SEE SHEET 1	B	SEE SHEET 1
E	SEE SHEET 1	A	SEE SHEET 1
LTR.	REVISIONS	LTR.	REVISIONS

DIMENSIONS SHOWN (METRIC) INCH	
UNLESS OTHERWISE SPECIFIED TOLERANCES: ANGULAR $\pm 1/2^\circ$	
3 PLACE	$\pm .005$
2 PLACE	$\pm .01$
1 PLACE	$\pm .015$
DRAFT WHERE APPLICABLE MUST REMAIN WITHIN DIMENSIONS	
DRG. BY: J. Long	CHK'D. BY: J. Long
APP'D. BY:	SCALE: 4:1

MFG. SH. REV.		REVISE ONLY ON CAD SYSTEM	
TITLE: SALES ASSEMBLY SCSI RECEPTACLE			
FROM: MOLEX INCORPORATED	SHEET NO. 2	DATE 95/03/03	
LISLE, ILL. 60532 U.S.A.			
PART NO. SEE SHEET 5	DRWG. NO. SDA-71061-****		
FILE NAME: S7106102.DGN		DIV. DC	SIZE C
THIS DRAWING CONTAINS INFORMATION THAT IS PROPRIETARY TO MOLEX INC. AND SHOULD NOT BE USED WITHOUT WRITTEN PERMISSION.			



FOR TYPE I 50 CIRCUIT ASSEMBLIES
A-71061-2***



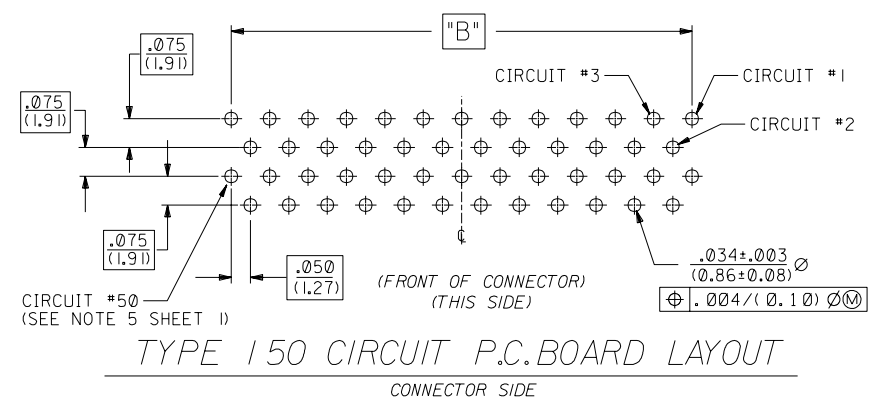
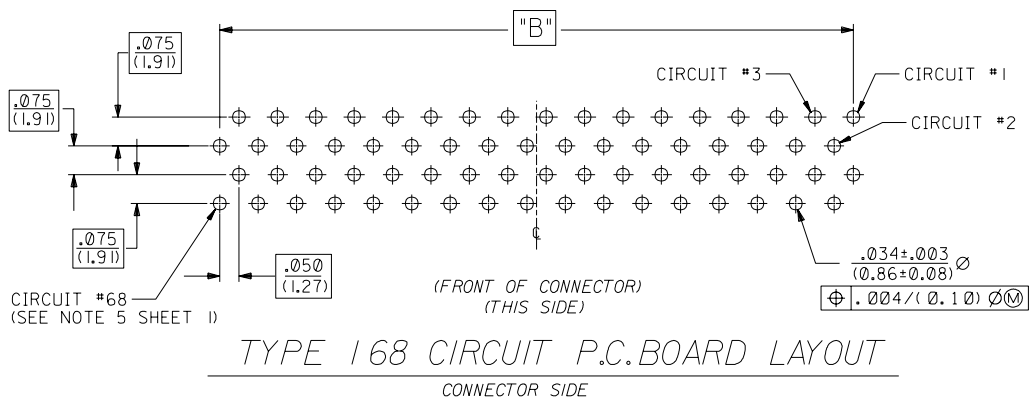
FOR TYPE II 68 CIRCUIT ASSEMBLIES
SECTION A-A
A-71061-2***

MFG.	SH.	REV.
------	-----	------

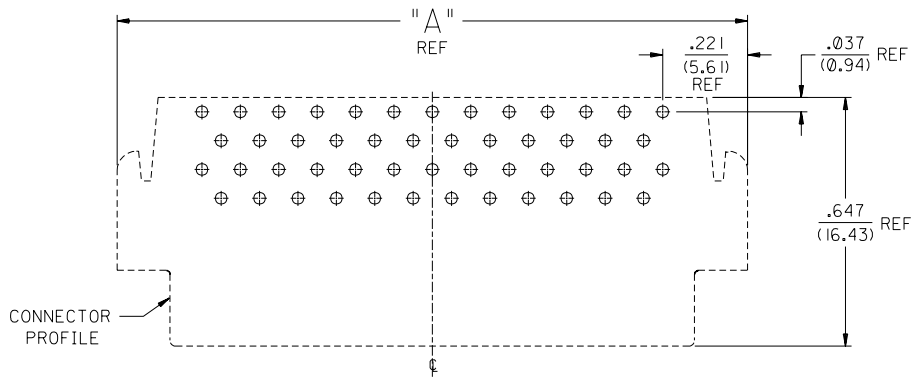
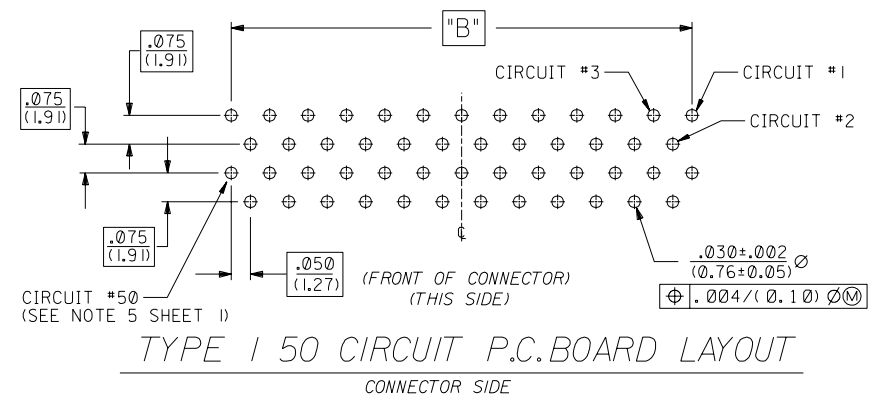
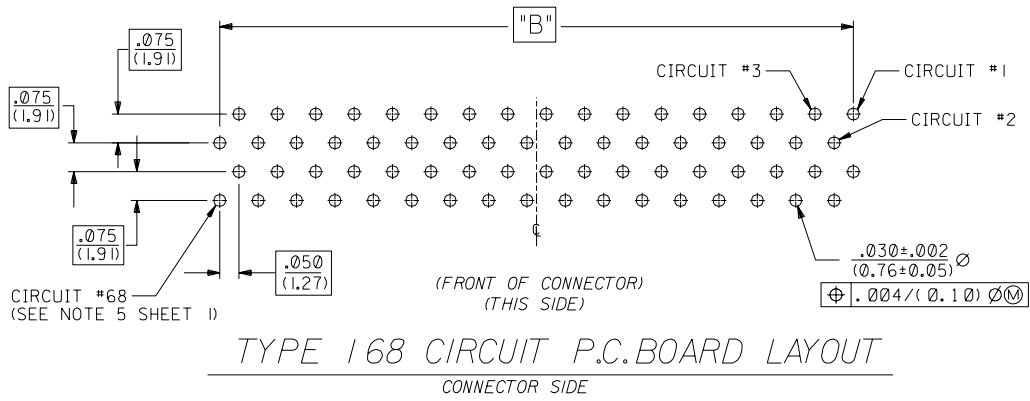
		G	SEE SHEET 1
		E	SEE SHEET 1
		D	SEE SHEET 1
LTR.	REVISIONS	LTR.	REVISIONS

DIMENSIONS SHOWN (METRIC) INCH	
UNLESS OTHERWISE SPECIFIED TOLERANCES: ANGULAR $\pm 1/2^\circ$	
3 PLACE	$\pm .005$
2 PLACE	$\pm .013$
1 PLACE	$\pm .030$
DRAFT WHERE APPLICABLE MUST REMAIN WITHIN DIMENSIONS	
DRG. BY: J. Long	CHK'D. BY: J. Long
APP'D. BY:	SCALE: 4:1

TITLE		REVISE ONLY ON CAD SYSTEM	
SALES ASSEMBLY SCSI RECEPTACLE			
MOLEX	MOLEX INCORPORATED	SHEET NO.	DATE
LISLE, ILL.	68532 U.S.A.	3	95/11/14
PART NO.	DRWG. NO.		
SEE SHEET 5	SDA-71061-****		
FILE NAME	THIS DRAWING CONTAINS INFORMATION THAT IS PROPRIETARY TO MOLEX INC. AND SHOULD NOT BE USED WITHOUT WRITTEN PERMISSION.	DIV.	SIZE
57106103		DC	C



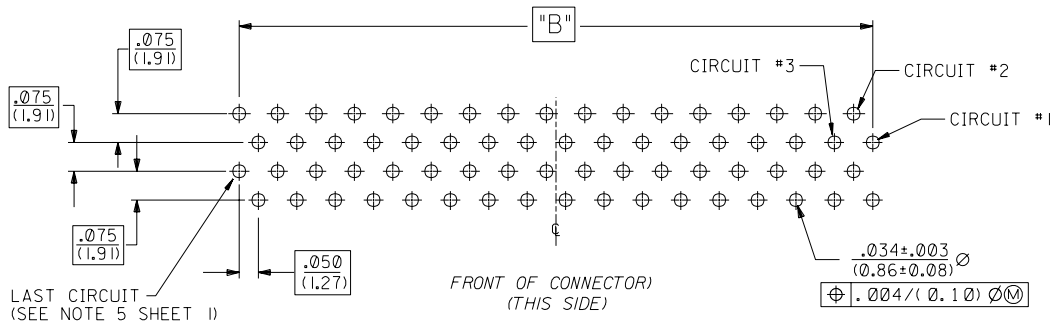
TYPE 1 TAIL P.C. BOARD LAYOUT FOR A-71061-0***



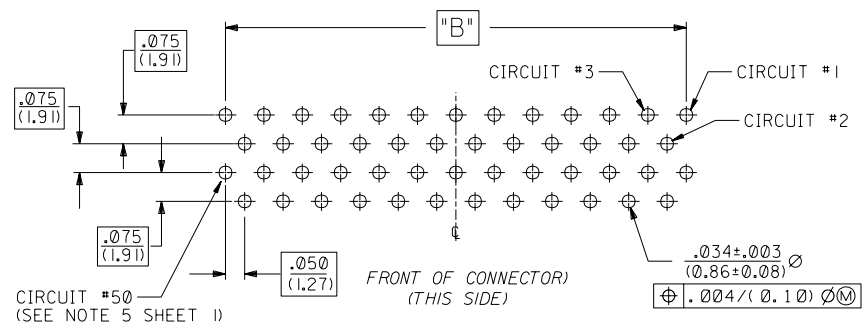
TYPE 1 RETENTION TAIL P.C. BOARD LAYOUT A-71061-1***

LTR. REVISIONS		LTR. REVISIONS		D SEE SHEET 1		G SEE SHEET 1		E SEE SHEET 1		DIMENSIONS SHOWN (METRIC) INCH UNLESS OTHERWISE SPECIFIED TOLERANCES: ANGULAR ± 1/2° 3 PLACE ± .005 2 PLACE ± --- ± 0.13 1 PLACE --- ± --- DRAFT WHERE APPLICABLE MUST REMAIN WITHIN DIMENSIONS DRG. BY J. Long CHK'D BY J. Long APP'D. BY SCALE 4:1		MFG. SH. REV. REVISE ONLY ON CAD SYSTEM TITLE SALES ASSEMBLY SCSI RECEPTACLE MOLEX INCORPORATED SHEET NO. 4 DATE 95/03/03 L1SLE,ILL. 60532 U.S.A. PART NO. SEE SHEET 5 DRWG. NO. SDA-71061-**** FILE NAME 57106104.DGN THIS DRAWING CONTAINS INFORMATION THAT IS PROPRIETARY TO MOLEX INC. AND SHOULD NOT BE USED WITHOUT WRITTEN PERMISSION. DIV. DC C	
----------------	--	----------------	--	---------------	--	---------------	--	---------------	--	---	--	--	--

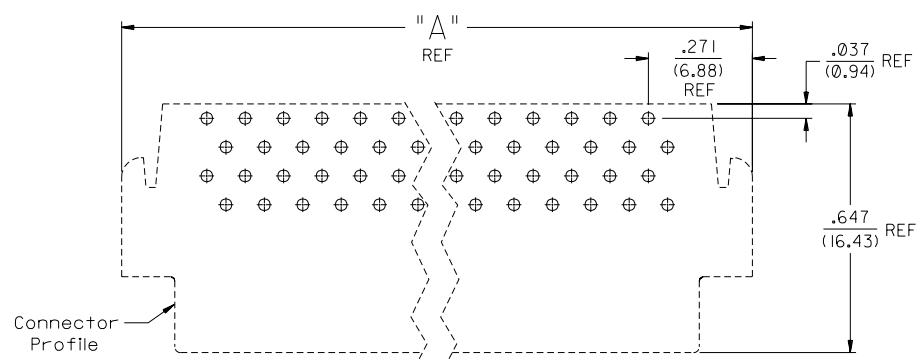
13		12		11		10		9		8		7		6		71061		4		3		2		1	
A-71061-0*** ITEM NO.		A-71061-1*** ITEM NO.		A-71061-2*** ITEM NO.				CKT. SIZE		DIM. A INCH MM		DIM. B INCH MM		DIM. C INCH MM		DIM. P INCH MM		RECMD PCB INCH MM							
71061-0001								50		1.642 41.71		1.200 30.48		1.366 34.70		.125 3.18		.062 1.57							
71061-0003		71061-1003		71061-2003				68		2.092 53.14		1.650 41.91		1.816 46.13		.125 3.18		.062 1.57							



TYPE 1168 CIRCUIT P.C. BOARD LAYOUT
CONNECTOR SIDE



TYPE 150 CIRCUIT P.C. BOARD LAYOUT
CONNECTOR SIDE



Recommended Connector Layout
(TYPE 1168 CIRCUIT SHOWN FOR REFERENCE)

TYPE 11 TAIL P.C. BOARD LAYOUT FOR 68 CKT A-71061-2***

G		SEE SHEET 1		D		SEE SHEET 1		DIMENSIONS SHOWN (METRIC) INCH UNLESS OTHERWISE SPECIFIED TOLERANCES: ANGULAR ± 1/2°		REVISE ONLY ON CAD SYSTEM																																																												
E		SEE SHEET 1		E		SEE SHEET 1		<table border="1"> <tr> <th>5 PLACE</th> <th>±</th> <th>.005</th> <th>---</th> <th>---</th> </tr> <tr> <th>2 PLACE</th> <th>±</th> <th>---</th> <th>± 0.13</th> <th>---</th> </tr> <tr> <th>1 PLACE</th> <th>---</th> <th>---</th> <th>±</th> <th>---</th> </tr> </table>		5 PLACE	±	.005	---	---	2 PLACE	±	---	± 0.13	---	1 PLACE	---	---	±	---	<table border="1"> <tr> <td colspan="2">TITLE</td> <td colspan="2">REVISE ONLY ON CAD SYSTEM</td> </tr> <tr> <td colspan="4">SALES ASSEMBLY SCSI RECEPTACLE</td> </tr> <tr> <td colspan="2">MFG. SH. REV.</td> <td colspan="2">DATE</td> </tr> <tr> <td colspan="2">MOLEX INCORPORATED</td> <td colspan="2">95/11/14</td> </tr> <tr> <td colspan="2">L15LEJLL 68532</td> <td colspan="2">U.S.A.</td> </tr> <tr> <td colspan="2">PART NO.</td> <td colspan="2">DRWG. NO.</td> </tr> <tr> <td colspan="2">SEE CHART</td> <td colspan="2">SDA-71061-****</td> </tr> <tr> <td colspan="2">FILE NAME</td> <td colspan="2">DIV.</td> </tr> <tr> <td colspan="2">57106105</td> <td colspan="2">DC</td> </tr> <tr> <td colspan="2">DGN</td> <td colspan="2">SIZE</td> </tr> <tr> <td colspan="2"></td> <td colspan="2">C</td> </tr> </table>		TITLE		REVISE ONLY ON CAD SYSTEM		SALES ASSEMBLY SCSI RECEPTACLE				MFG. SH. REV.		DATE		MOLEX INCORPORATED		95/11/14		L15LEJLL 68532		U.S.A.		PART NO.		DRWG. NO.		SEE CHART		SDA-71061-****		FILE NAME		DIV.		57106105		DC		DGN		SIZE				C	
5 PLACE	±	.005	---	---																																																																		
2 PLACE	±	---	± 0.13	---																																																																		
1 PLACE	---	---	±	---																																																																		
TITLE		REVISE ONLY ON CAD SYSTEM																																																																				
SALES ASSEMBLY SCSI RECEPTACLE																																																																						
MFG. SH. REV.		DATE																																																																				
MOLEX INCORPORATED		95/11/14																																																																				
L15LEJLL 68532		U.S.A.																																																																				
PART NO.		DRWG. NO.																																																																				
SEE CHART		SDA-71061-****																																																																				
FILE NAME		DIV.																																																																				
57106105		DC																																																																				
DGN		SIZE																																																																				
		C																																																																				
LTR.		REVISIONS		LTR.		REVISIONS		DRAFT WHERE APPLICABLE MUST REMAIN WITHIN DIMENSIONS		THIS DRAWING CONTAINS INFORMATION THAT IS PROPRIETARY TO MOLEX INC. AND SHOULD NOT BE USED WITHOUT WRITTEN PERMISSION.																																																												
BY		SCALE		BY		SCALE		APPROV. BY		DATE																																																												
J. Long		4:1		J. Long		4:1		J. Long		95/11/14																																																												