

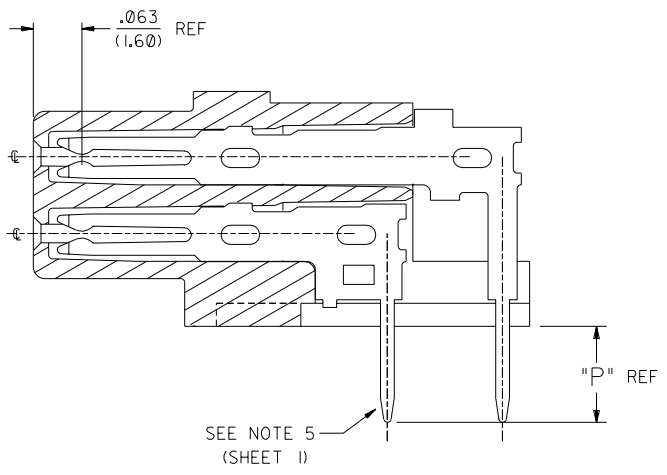
- NOTES:
- REFER TO PS-79058 PRODUCT SPEC. FOR ELECTRICAL, MECHANICAL AND ENVIRONMENTAL SPECIFICATIONS.
 - MATERIAL:
RECEPTACLE HOUSING: GLASS FILLED LCP (LIQUID CRYSTAL POLYMER); COLOR - BLACK; UL 94V-0
TERMINALS: PHOSPHOR BRONZE
 - PACKAGING:
PARTS PACKAGED IN TUBES PER PK-70873-0423
 - SEE SHEET 5 FOR CHARTED DIMENSIONS.
 - FOR FIXED TAIL/PCB PATTERN AT LAST CIRCUIT POSITIONS REFER TO SECTION A-A ON SHEETS 2 AND 3, AND PCB LAYOUT SHOWN ON SHEETS 4 AND 5.
- PLATING FINISH
SELECTIVE GOLD: THICKNESS= 30 MICROINCHES/(0.76 MICROMETERS) MINIMUM.
SELECTIVE TIN: THICKNESS= 75 MICROINCHES/(1.90 MICROMETERS) MINIMUM.
NICKEL UNDERPLATE OVERALL.

NOTE FOR LEAD FREE CONVERSION:
THE PRIMARY SHIPPING CARTON WILL BE LABELED "COMPLIANT TO ROHS DIRECTIVE 2002/95/EC AND ELV ANNEX II OF DIRECTIVE 2000/53/EC". CARTONS WITHOUT THIS LABEL MAY CONTAIN PRODUCT WITH LEAD.

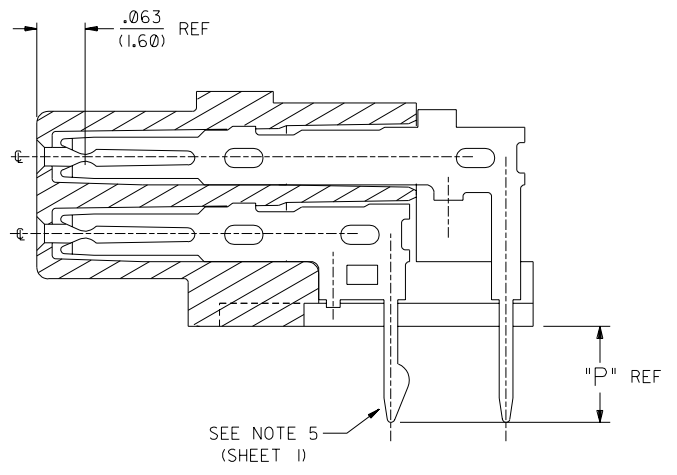
E		ADDED -3* SERIES EC #UDT2000-0115 J. LONG 99/07/30		DIMENSIONS SHOWN (METRIC) INCH UNLESS OTHERWISE SPECIFIED TOLERANCES: ANGULAR ± 1/2°		REVISE ONLY ON CAD SYSTEM	
G	OBSOLETE PART # ECN# UCP2005-0311 BSMART 04/08/09	DI	ADDED DATE CODE PER EC # U80357 J. LONG 97/07/24	3 PLACE ± .005 ---	INCH	METRIC	TITLE SALES ASSEMBLY SCSI RECEPTACLE
F	LEADFREE ECN# UCP2004-1925 DMORGAN 04/04/06	D	ADDED NEW TAIL PATTERN PER ECN # U60600 95/11/14 J. LONG	2 PLACE ± --- ± 0.13			MOLEX INCORPORATED SHEET NO. DATE U.S.A. 1 of 5 95/03/02
LTR.	REVISIONS	LTR.	REVISIONS	1 PLACE --- ± ---	DRAWING MUST REMAIN WITHIN DIMENSIONS		PART NO. DRWG. NO. SEE SHEET 5 SDA-71061-****
				DRWG. BY J. Long	CHK'D BY J. Long	SCALE 4 1	FILE NAME 57106101.DGN
				APP'D. BY DJB			THIS DRAWING CONTAINS INFORMATION THAT IS PROPRIETARY TO MOLEX INC. AND SHOULD NOT BE USED WITHOUT WRITTEN PERMISSION.

5	G
4	G
3	G
2	G
1	G
MFG. SH. REV.	

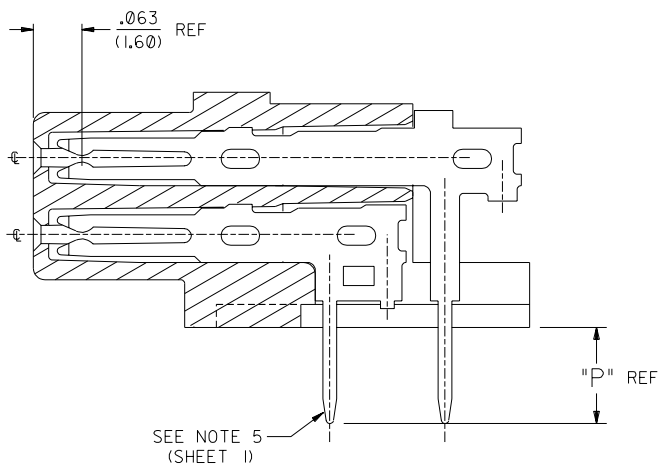
71061



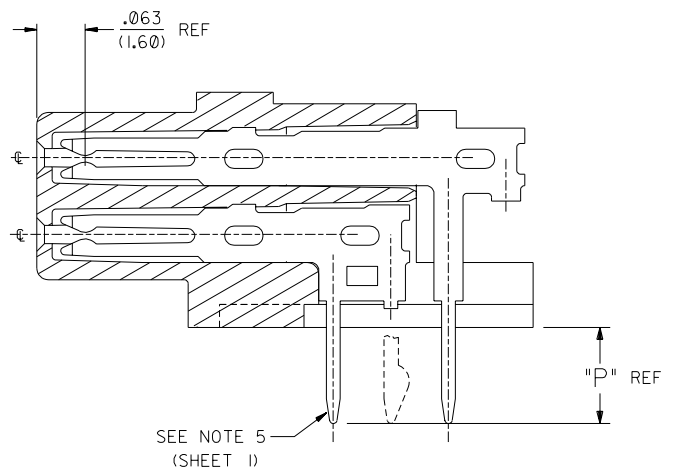
FOR 50 CIRCUIT ASSEMBLIES
A-71061-0***



FOR 50 CIRCUIT ASSEMBLIES
A-71061-1***



FOR 68 CIRCUIT ASSEMBLIES
SECTION A-A
A-71061-0***



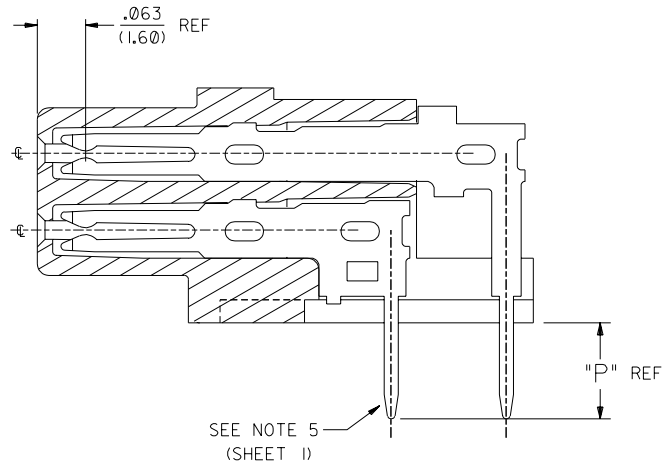
FOR 68 CIRCUIT ASSEMBLIES
SECTION A-A
FOR RETENTION TAIL OPTION
A-71061-1***

** TYPE I TAIL OPTIONS **

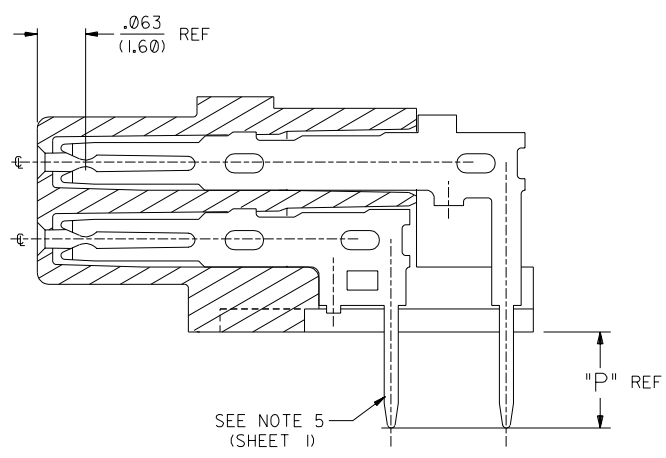
		D	SEE SHEET 1
G	SEE SHEET 1	B	SEE SHEET 1
E	SEE SHEET 1	A	SEE SHEET 1
LTR.	REVISIONS	LTR.	REVISIONS

DIMENSIONS SHOWN (METRIC) INCH	
UNLESS OTHERWISE SPECIFIED TOLERANCES: ANGULAR $\pm 1/2^\circ$	
3 PLACE	$\pm .005$
2 PLACE	$\pm .01$
1 PLACE	$\pm .1$
DRAFT WHERE APPLICABLE MUST REMAIN WITHIN DIMENSIONS	
DRG. BY: J. Long	CHK'D. BY: J. Long
APP'D. BY:	SCALE: 4:1

MFG. SH. REV.		REVISE ONLY ON CAD SYSTEM	
TITLE: SALES ASSEMBLY SCSI RECEPTACLE			
FROM: MOLEX INCORPORATED, LISLE, ILL. 60532	SHEET NO. 2	DATE 95/03/03	U.S.A.
PART NO. SEE SHEET 5	DRWG. NO. SDA-71061-***	FILE NAME: S7106102.DGN	THIS DRAWING CONTAINS INFORMATION THAT IS PROPRIETARY TO MOLEX INC. AND SHOULD NOT BE USED WITHOUT WRITTEN PERMISSION.
DC	DC	DC	DC



FOR TYPE I 50 CIRCUIT ASSEMBLIES
A-71061-2***



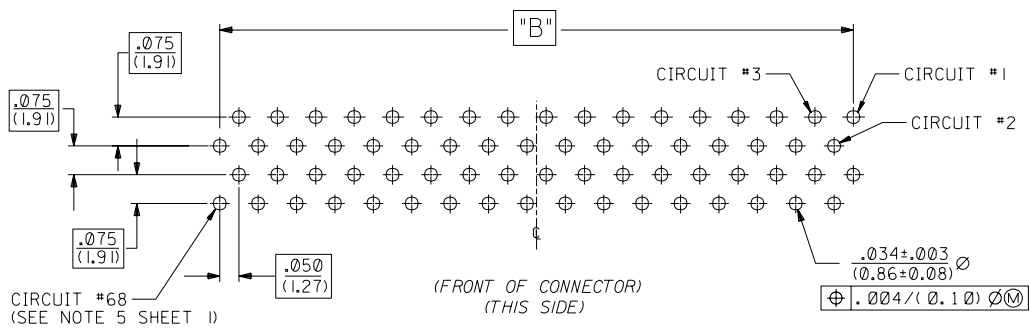
FOR TYPE II 68 CIRCUIT ASSEMBLIES
SECTION A-A
A-71061-2***

MFG.	SH.	REV.
------	-----	------

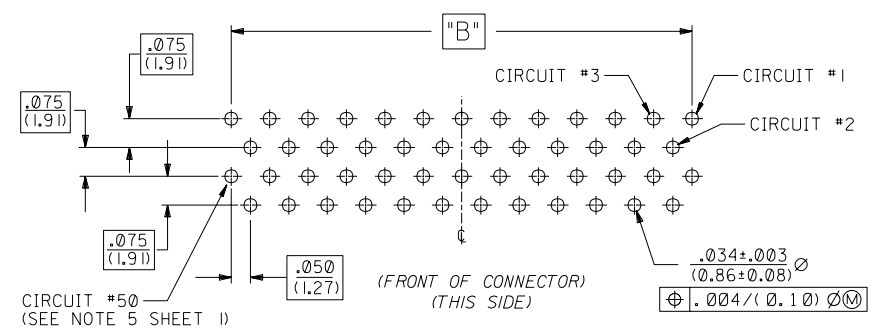
		G	SEE SHEET 1
		E	SEE SHEET 1
		D	SEE SHEET 1
LTR.	REVISIONS	LTR.	REVISIONS

DIMENSIONS SHOWN (METRIC) INCH	
UNLESS OTHERWISE SPECIFIED TOLERANCES: ANGULAR $\pm 1/2^\circ$	
3 PLACE	$\pm .005$
2 PLACE	$\pm .01$
1 PLACE	$\pm .01$
DRAFT WHERE APPLICABLE MUST REMAIN WITHIN DIMENSIONS	
DRG. BY: <i>J. Long</i>	CHK'D. BY: <i>J. Long</i>
APP'D. BY:	SCALE: 4:1

TITLE		REVISE ONLY ON CAD SYSTEM	
SALES ASSEMBLY SCSI RECEPTACLE			
MOLEX	MOLEX INCORPORATED	SHEET NO.	DATE
LISLE, ILL.	68532 U.S.A.	3	95/11/14
PART NO.	DRWG. NO.		
SEE SHEET 5	SDA-71061-****		
FILE NAME	THIS DRAWING CONTAINS INFORMATION THAT IS PROPRIETARY TO MOLEX INC. AND SHOULD NOT BE USED WITHOUT WRITTEN PERMISSION.	DIV.	SIZE
57106103		DC	C

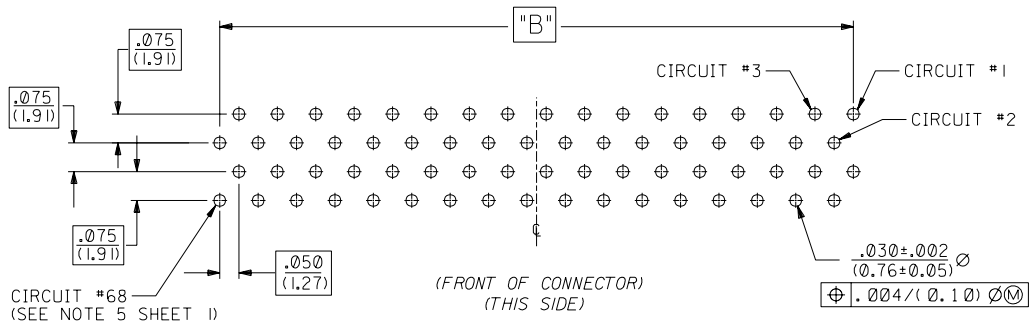


TYPE 168 CIRCUIT P.C. BOARD LAYOUT
CONNECTOR SIDE

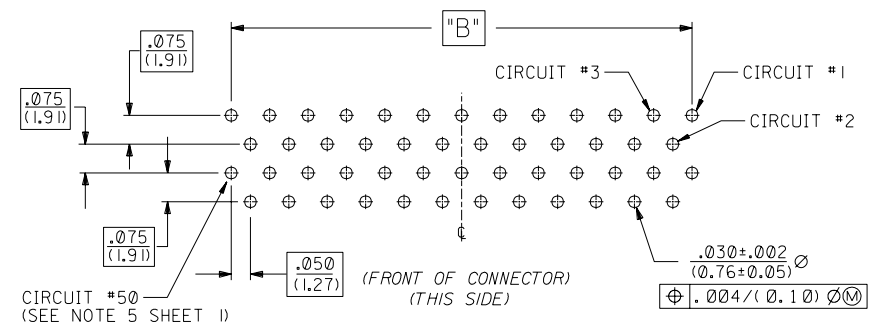


TYPE 150 CIRCUIT P.C. BOARD LAYOUT
CONNECTOR SIDE

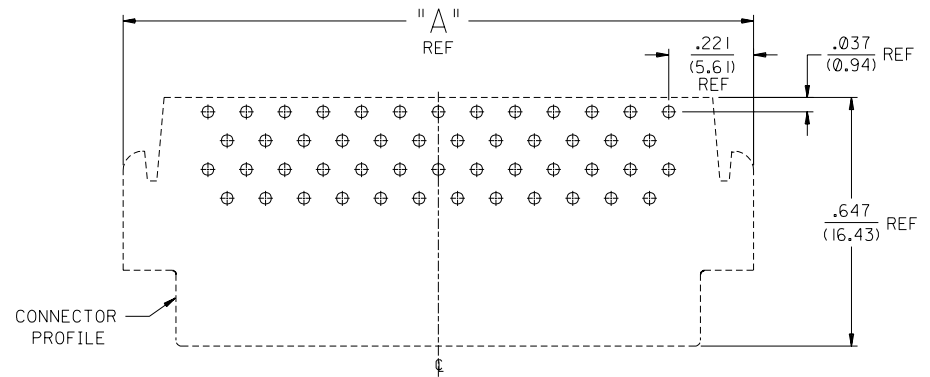
TYPE I TAIL P.C. BOARD LAYOUT FOR A-71061-0***



TYPE 168 CIRCUIT P.C. BOARD LAYOUT
CONNECTOR SIDE



TYPE 150 CIRCUIT P.C. BOARD LAYOUT
CONNECTOR SIDE



RECOMMENDED CONNECTOR LAYOUT
(50 CKT SHOWN FOR REFERENCE)

TYPE I RETENTION TAIL P.C. BOARD LAYOUT A-71061-1***

LTR.		REVISIONS	LTR.	REVISIONS	D		SEE SHEET 1	DIMENSIONS SHOWN (METRIC) INCH UNLESS OTHERWISE SPECIFIED TOLERANCES: ANGULAR ± 1/2°		MFG. SH. REV.		REVISE ONLY ON CAD SYSTEM	
G		SEE SHEET 1	B		SEE SHEET 1		SEE SHEET 1		3 PLACE ± .005	INCH	METRIC	TITLE	
E		SEE SHEET 1	A		SEE SHEET 1		SEE SHEET 1		2 PLACE ± --- ± 0.13			SALES ASSEMBLY SCSI RECEPTACLE	
LTR.		REVISIONS	LTR.		REVISIONS		LTR.		1 PLACE --- ± ---			MOLEX INCORPORATED LISLE, ILL. 60532 U.S.A.	
LTR.		REVISIONS	LTR.		REVISIONS		LTR.		DRAFT WHERE APPLICABLE MUST REMAIN WITHIN DIMENSIONS		SHEET NO. 4		DATE 95/03/03
LTR.		REVISIONS	LTR.		REVISIONS		LTR.		DRG. BY J. Long		PART NO. SEE SHEET 5		DRWG. NO. SDA-71061-****
LTR.		REVISIONS	LTR.		REVISIONS		LTR.		APPR. BY J. Long		FILE NAME 57106104		THIS DRAWING CONTAINS INFORMATION THAT IS PROPRIETARY TO MOLEX INC. AND SHOULD NOT BE USED WITHOUT WRITTEN PERMISSION.
LTR.		REVISIONS	LTR.		REVISIONS		LTR.		SCALE 4:1		DIV. DC		SIZE C

