

NOTES

1. MATERIAL:

CAGE: NICKEL SILVER, THICKNESS: 0.25mm  
 CONNECTOR HOUSING: GLASS FILLED LIQUID CRYSTAL POLYMER (LCP), UL 94V-0, COLOR: BLACK  
 OVERMOLD TERMINAL HOUSING: GLASS FILLED LIQUID CRYSTAL POLYMER (LCP), UL 94V-0, COLOR: BLACK  
 TERMINALS: TIN BRASS  
 LIGHTPIPE HOUSING: ZINC  
 LIGHTPIPES: POLYCARBONATE, COLOR: CLEAR

2. FINISHES:

TERMINALS: CONTACT AREA: 0.76 MICROMETERS MINIMUM HARD GOLD OVER 1.27 MICROMETERS MINIMUM NICKEL.  
 COMPLIANT TAIL - MATTE TIN/LEAD OPTION: 0.76 TO 1.52 MICROMETERS 90/10 MATTE TIN-LEAD OVER 0.76 MICROMETERS MINIMUM NICKEL.  
 COMPLIANT TAIL - MATTE TIN OPTION: 0.76 TO 1.52 MICROMETERS MATTE TIN OVER 0.76 MICROMETERS MINIMUM NICKEL.  
 LIGHTPIPE HOUSING: 80 MICROMETERS MINIMUM NICKEL OVER COPPER

3. REFER TO PS-75310-001 PRODUCT SPEC FOR ALL ELECTRICAL, MECHANICAL, AND ENVIRONMENTAL SPECIFICATIONS.

4. LIGHTPIPE PAD LAYOUT IS FOR 0805 LOW-PROFILE LED PACKAGE, FOR OTHER RECOMMENDED LAYOUTS REFER TO MOLEX'S REPORT TS-75310-001.

5. REFER TO PK-75462-001 FOR ALL PACKAGING SPECIFICATIONS.

6. PART COMPLIES WITH COSMETIC SPECIFICATION PS-45499-002.

SEE SHEET 4 SECTION Z-Z FOR SURFACE CLASSIFICATIONS.  
 UNDERSIDE OF CAGE COMPLIES WITH CLASS "C".

7. DATE CODE LOCATION IS SHOWN ABOVE.

DATE CODE FORMAT: DDDY MX A1

DDD = DAY OF THE YEAR

Y = YEAR

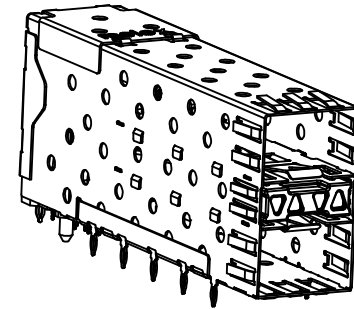
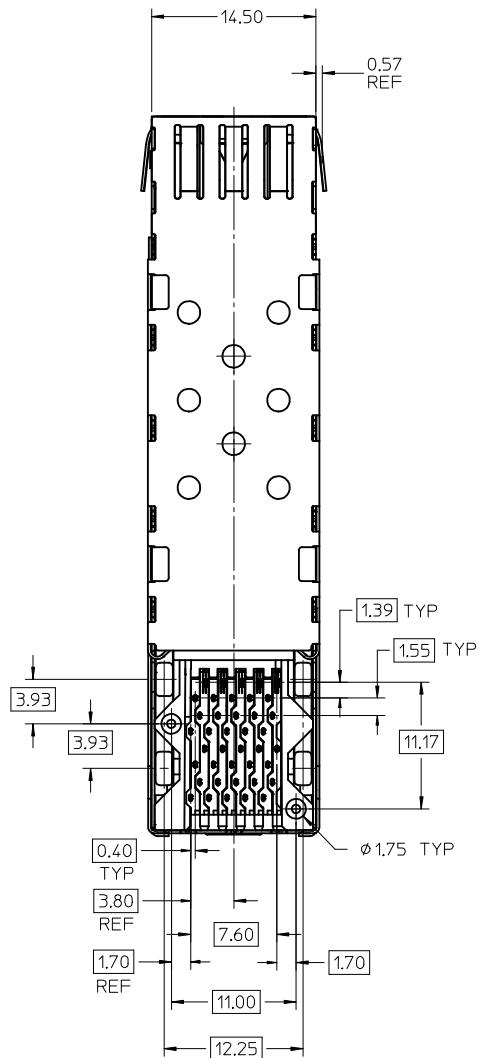
MX = MOLEX

A = ALPHA CHARACTER - INDICATES MANUFACTURING LINE

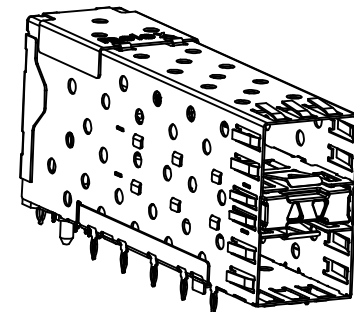
1 = NUMERIC CHARACTER - INDICATES PRODUCTION SHIFT

PART NUMBER	DESCRIPTION	VIEW	COMPLIANT TAIL PLATING
75640-0001	4 PORT LIGHT PIPE	SEE PG 2	TIN LEAD
75640-0002	INNER 2 PORTS	SEE PG 2	TIN LEAD
75640-0003	OUTER 2 PORTS	SEE PG 2	TIN LEAD
75640-5001	4 PORT LIGHT PIPE	SEE PG 2	TIN
75640-5002	INNER 2 PORTS	SEE PG 2	TIN
75640-5003	OUTER 2 PORTS	SEE PG 2	TIN

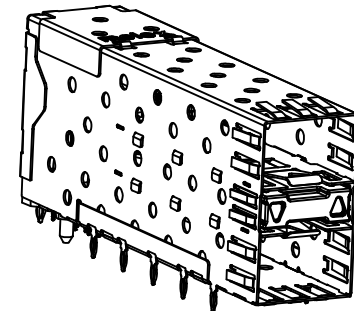
REMOVE OLD PCB HOLES EC NO: UCP2016-0008 DR: DRWINBARKER 2015/07/06 CHKD: APPR: SMILLER 2015/07/22	QUALITY SYMBOLS	GENERAL TOLERANCES (UNLESS SPECIFIED)	DIMENSION STYLE <b>MM ONLY</b>	SCALE <b>3:1</b>	DESIGN UNITS <b>METRIC</b>	THIRD ANGLE PROJECTION
	▽=0	mm INCH	DRAWN BY DATE	TITLE		
	▽=0	4 PLACES ± --- ± ---	JLONG 05-15-2004	STACKED SFP 2X1 MEDIUM HEIGHT ASS'Y, PRESS-FIT TAILS WITH LIGHT PIPES		
	▽=0	3 PLACES ± --- ± ---	CHECKED BY DATE			
	2 PLACES ± 0.13 ± ---	JLONG 04-16-2004				
	1 PLACE ± 0.25 ± ---	APPROVED BY DATE	DOCUMENT NO.			
	0 PLACE ± ±	KREGNIER 04-19-2004	SD-75640-001			
	ANGULAR ± 5 °	MATERIAL NO.	SHEET NO.			
	DRAFT WHERE APPLICABLE MUST REMAIN WITHIN DIMENSIONS	SEE TABLE	1 OF 4			
		SIZE C	THIS DRAWING CONTAINS INFORMATION THAT IS PROPRIETARY TO MOLEX INCORPORATED AND SHOULD NOT BE USED WITHOUT WRITTEN PERMISSION			



756400001 & 756405001  
WITH 4 LIGHT PIPE PORTS

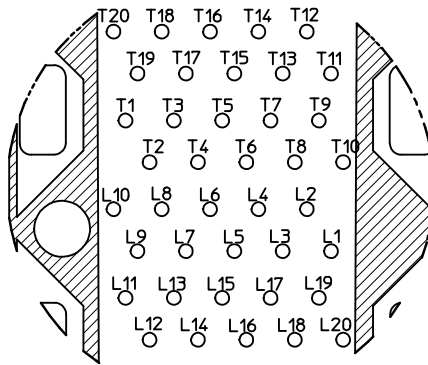


756400002 & 756405002  
WITH INNER LIGHT PIPE PORTS

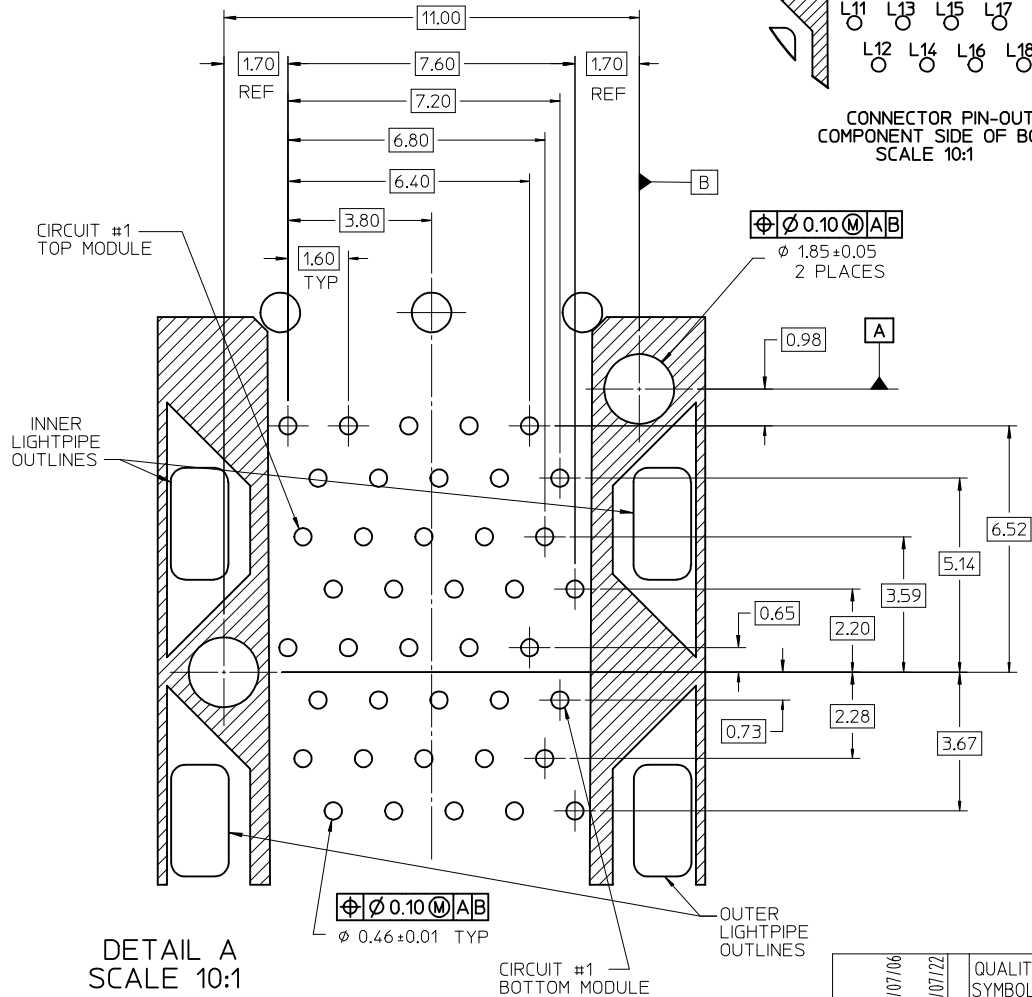


756400003 & 756405003  
WITH OUTER LIGHT PIPE PORTS

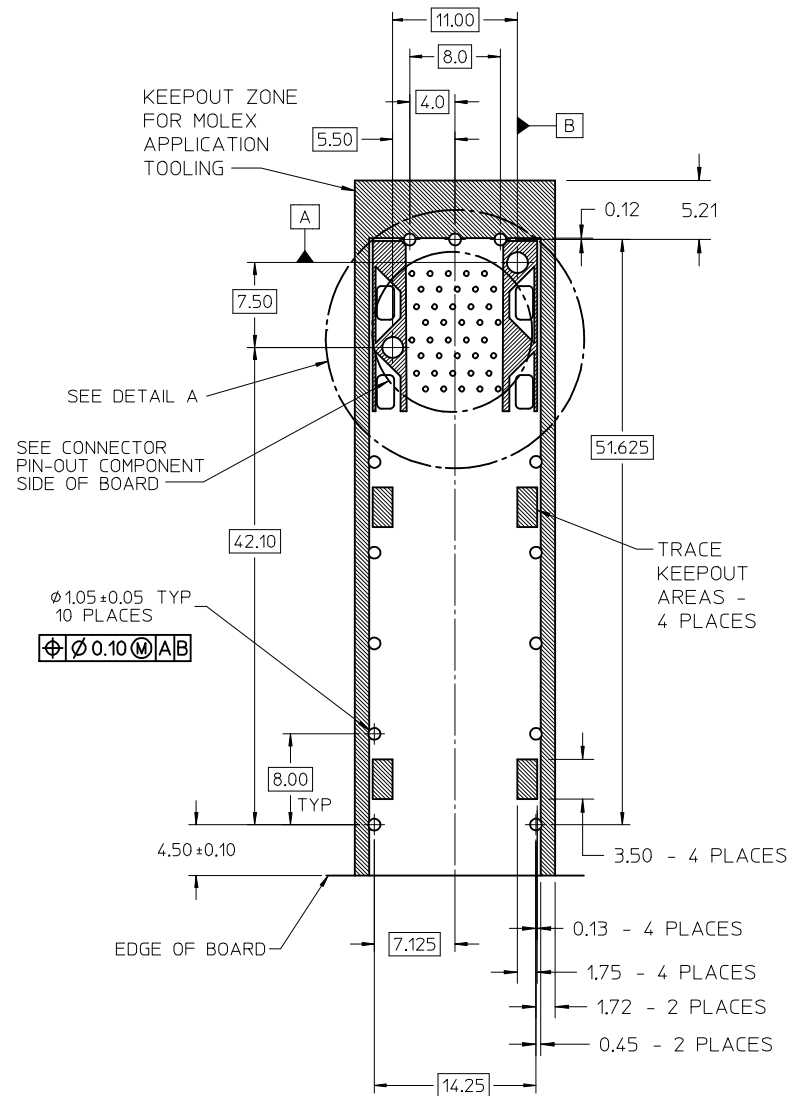
SEE SHEET 1 EC NO: UCP2016-0008 DRAWN BY: DRWIN:BBARKER CHKD: JAPPR:SMILLER APPR:SMILLER 2015/07/06 2015/07/06	QUALITY SYMBOLS ▽=0 ▽=0 ▽=0	GENERAL TOLERANCES (UNLESS SPECIFIED)		DIMENSION STYLE MM ONLY		SCALE 3:1	DESIGN UNITS METRIC	THIRD ANGLE PROJECTION	
				DRAWN BY JLONG	DATE 05-15-2004	TITLE STACKED SFP 2X1 MEDIUM HEIGHT ASS'Y, PRESS-FIT TAILS WITH LIGHT PIPES			
		4 PLACES ± --- ± ---		CHECKED BY JLONG	DATE 04-16-2004	DOCUMENT NO. SD-75640-001			
		3 PLACES ± --- ± ---		APPROVED BY KREGNIER	DATE 04-19-2004	SHEET NO. 2 OF 4			
		2 PLACES ± 0.13 ± ---		MATERIAL NO.		THIS DRAWING CONTAINS INFORMATION THAT IS PROPRIETARY TO MOLEX INCORPORATED AND SHOULD NOT BE USED WITHOUT WRITTEN PERMISSION			
		1 PLACE ± 0.25 ± ---		ANGULAR ± 5 °					
		0 PLACE ± ±		DRAFT WHERE APPLICABLE MUST REMAIN WITHIN DIMENSIONS					



CONNECTOR PIN-OUT  
COMPONENT SIDE OF BOARD  
SCALE 10:1

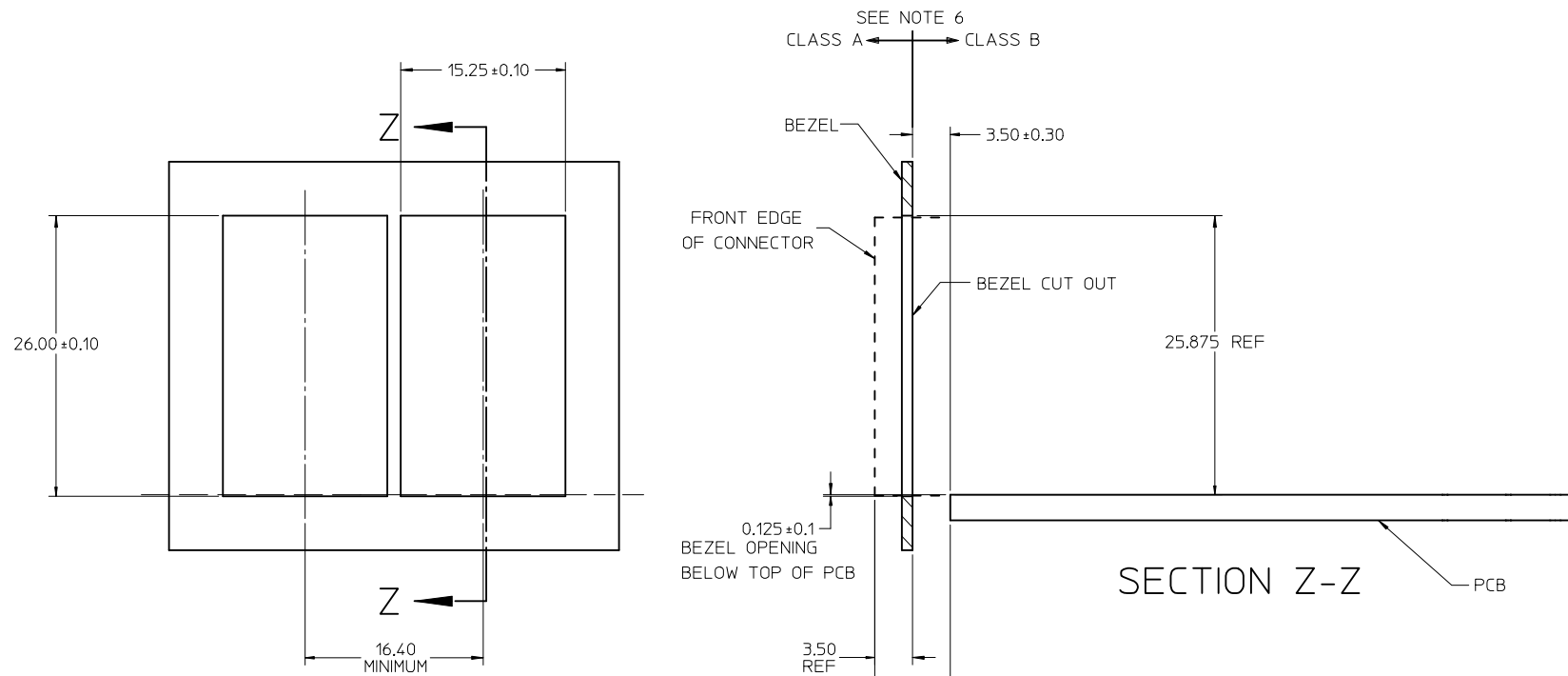


DETAIL A  
SCALE 10:1

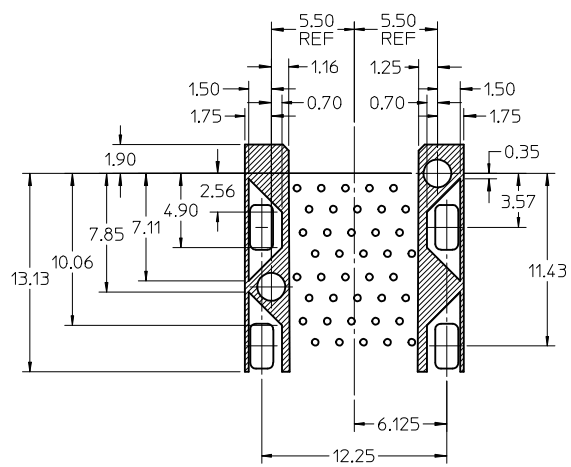


RECOMMENDED PCB LAYOUT - COMPONENT SIDE  
RECOMMENDED PCB THICKNESS: 2.36 MM (.093 INCH)  
(MINIMUM PCB THICKNESS: 1.57)  
THE ENTIRE AREA OF THE CONNECTOR FOOTPRINT  
TO BE CONSIDERED THE KEEP OUT AREA FOR COMPONENTS

SEE SHEET 1 EC NO: UCP2016-0008 IDRW:BBARKER 2015/07/06 CHKD: APPR:SMILLER 2015/07/22	QUALITY SYMBOLS 	GENERAL TOLERANCES (UNLESS SPECIFIED) <table border="1"> <tr> <th></th> <th>mm</th> <th>INCH</th> </tr> <tr> <td>4 PLACES</td> <td>± .05</td> <td>± .002</td> </tr> <tr> <td>3 PLACES</td> <td>± .03</td> <td>± .001</td> </tr> <tr> <td>2 PLACES</td> <td>± 0.13</td> <td>± .005</td> </tr> <tr> <td>1 PLACE</td> <td>± 0.25</td> <td>± .010</td> </tr> <tr> <td>0 PLACE</td> <td>±</td> <td>±</td> </tr> </table>		mm	INCH	4 PLACES	± .05	± .002	3 PLACES	± .03	± .001	2 PLACES	± 0.13	± .005	1 PLACE	± 0.25	± .010	0 PLACE	±	±	DIMENSION STYLE <b>MM ONLY</b> DRAWN BY DATE JLONG 05-15-2004 CHECKED BY DATE JLONG 04-16-2004 APPROVED BY DATE KREGNIER 04-19-2004	SCALE <b>3:1</b> DESIGN UNITS <b>METRIC</b> THIRD ANGLE PROJECTION	TITLE <b>STACKED SFP 2X1 MEDIUM HEIGHT ASS'Y, PRESS-FIT TAILS WITH LIGHT PIPES</b> 	MATERIAL NO. <b>SD-75640-001</b> DOCUMENT NO.	SHEET NO. <b>3 OF 4</b>
		mm	INCH																						
	4 PLACES	± .05	± .002																						
	3 PLACES	± .03	± .001																						
2 PLACES	± 0.13	± .005																							
1 PLACE	± 0.25	± .010																							
0 PLACE	±	±																							
DRAFT WHERE APPLICABLE MUST REMAIN WITHIN DIMENSIONS	SEE TBL, SHT 1	THIS DRAWING CONTAINS INFORMATION THAT IS PROPRIETARY TO MOLEX. INCORPORATED AND SHOULD NOT BE USED WITHOUT WRITTEN PERMISSION																							

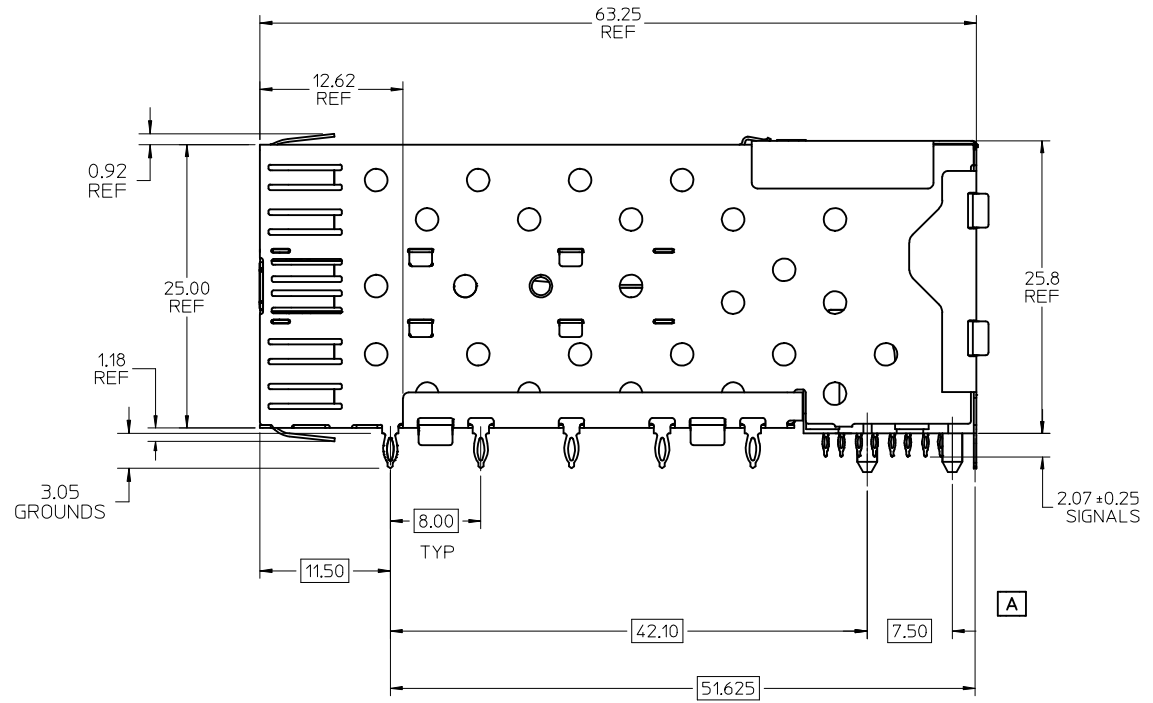
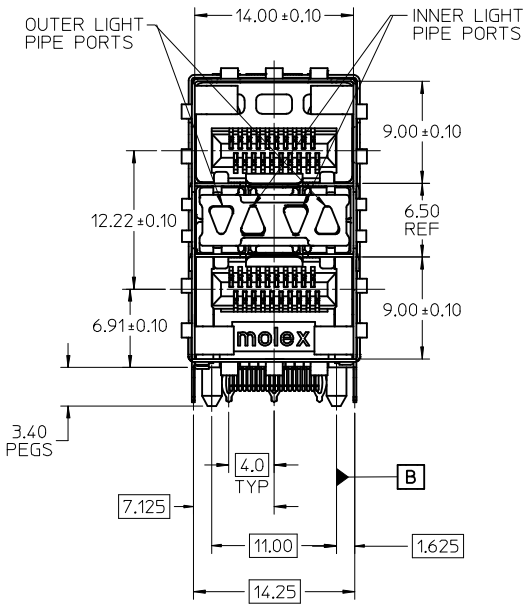


BEZEL CUT-OUT CENTER SPACING DETAIL  
BEZEL THICKNESS 0.8-2.6



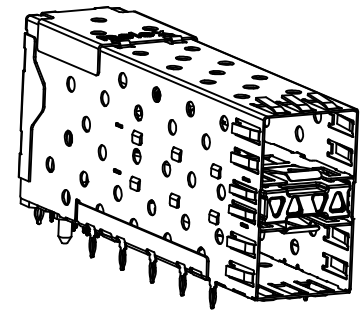
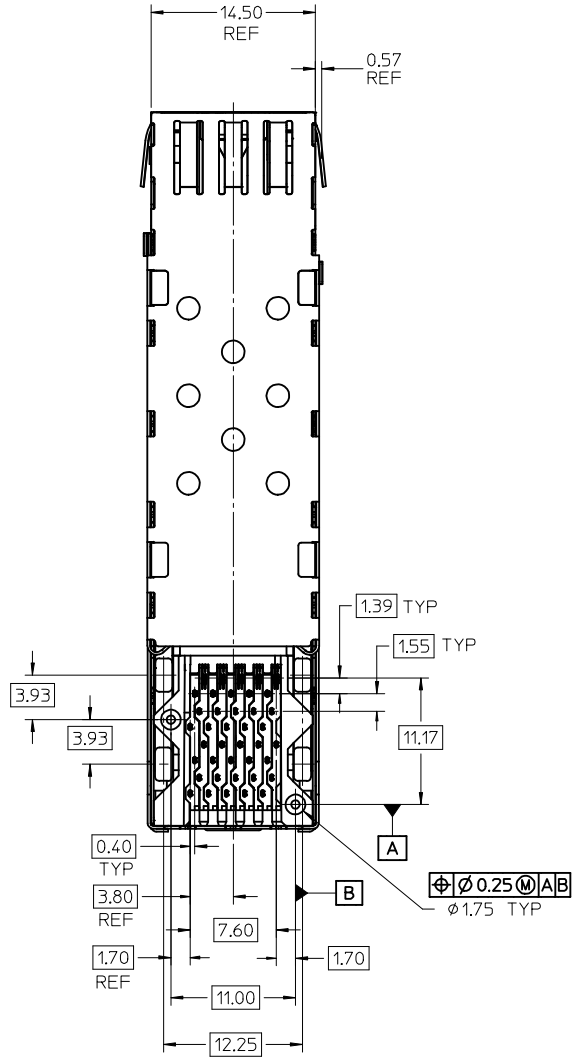
KEEP-OUT ZONE DETAIL  
SCALE 4:1

SEE SHEET 1 EC 003-MIC P2016-0088S DRW: BARKER 2015/07/06 CHKD: APPR: MILLER 2015/07/22	QUALITY SYMBOLS ∇=0 ∇=0 ∇=0	GENERAL TOLERANCES (UNLESS SPECIFIED)		DIMENSION STYLE <b>MM ONLY</b>	SCALE <b>3:1</b>	DESIGN UNITS METRIC	THIRD ANGLE PROJECTION
		4 PLACES ± --- ± ---	DRAWN BY JLONG	DATE 05-15-2004	TITLE STACKED SFP 2X1 MEDIUM HEIGHT ASS'Y, PRESS-FIT TAILS WITH LIGHT PIPES <b>molex</b>		
		3 PLACES ± --- ± ---	CHECKED BY JLONG	DATE 04-16-2004			
		2 PLACES ± 0.13 ± ---	APPROVED BY KREGNIER	DATE 04-19-2004			
1 PLACE ± 0.25 ± ---	MATERIAL NO. SEE TBL, SHT 1		DOCUMENT NO. SD-75640-001	SHEET NO. 4 OF 4			
0 PLACE ± ±		ANGULAR ± 5 °		DRAFT WHERE APPLICABLE MUST REMAIN WITHIN DIMENSIONS			

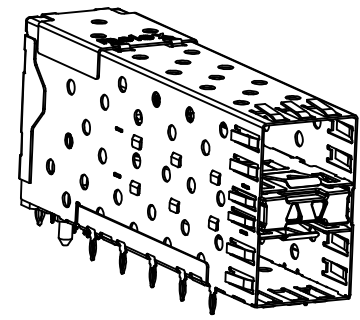


PART NUMBER	DESCRIPTION	VIEW	COMPLIANT TAIL PLATING
75640-2001	4 PORT LIGHT PIPE	SEE PG 2	TIN
	INNER 2 PORTS	SEE PG 2	TIN
	OUTER 2 PORTS	SEE PG 2	TIN

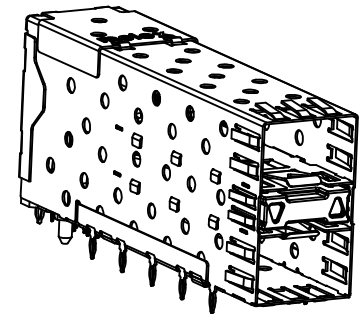
UPDATE ISO VIEWS EC NO: UCP2015-5229 DRWNSVANG01 2015/06/17 CHKD:BBARKER 2015/06/17 APPR:SMILLER 2015/06/30	QUALITY SYMBOLS	GENERAL TOLERANCES (UNLESS SPECIFIED)	DIMENSION STYLE	SCALE	DESIGN UNITS	THIRD ANGLE PROJECTION
	▽=0	mm INCH	MM ONLY	3:1	METRIC	
	▽=0	4 PLACES ± --- ± ---	DRAWN BY DATE	TITLE		
	▽=0	3 PLACES ± --- ± ---	BBARKER 2009/11/06	STACKED SFP 2X1 MEDIUM HEIGHT ASS'Y, PRESS-FIT TAILS WITH LIGHT PIPES		
		2 PLACES ± 0.13 ± ---	CHECKED BY DATE	<b>molex</b> DOCUMENT NO. SD-75640-004 SHEET NO. 1 OF 4		
		1 PLACE ± 0.25 ± ---	MIBARRA 2009/11/06			
		0 PLACE ± --- ± ---	APPROVED BY DATE			
			SMILLER 2010/12/09			
		ANGULAR ± 5 °	MATERIAL NO.			
		DRAFT WHERE APPLICABLE MUST REMAIN WITHIN DIMENSIONS	SEE CHART			
			SIZE	THIS DRAWING CONTAINS INFORMATION THAT IS PROPRIETARY TO MOLEX INCORPORATED AND SHOULD NOT BE USED WITHOUT WRITTEN PERMISSION		



756402001  
WITH 4 LIGHT PIPE PORTS

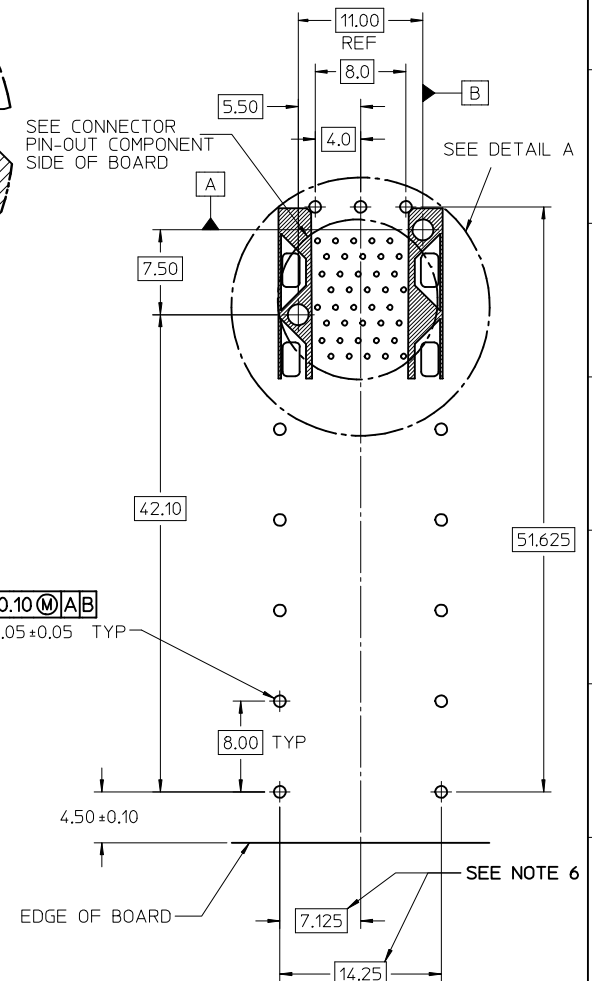
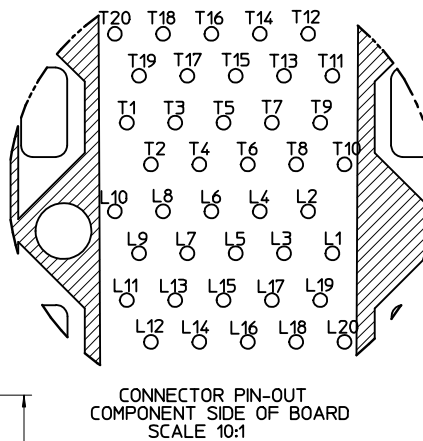
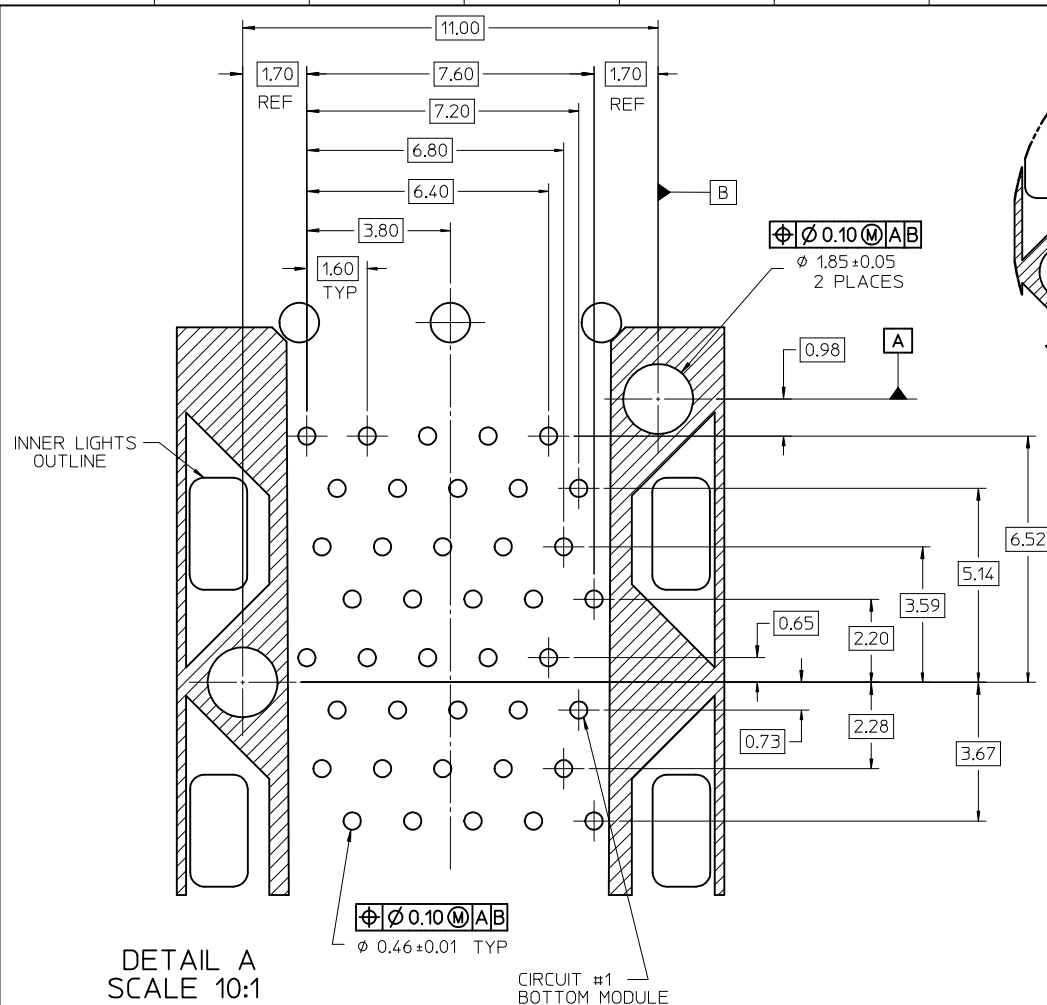


WITH INNER LIGHT PIPE PORTS



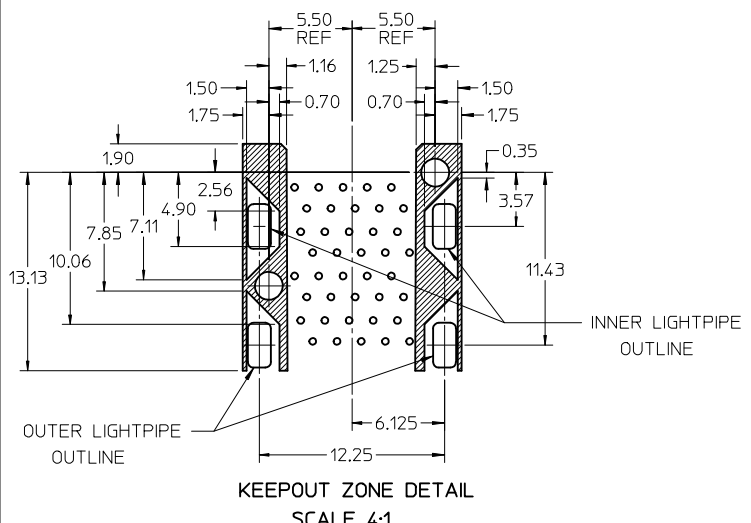
WITH OUTER LIGHT PIPE PORTS

SEE SHEET 1 EC NO: UCP2015-5229 DRWNSYANG01 2015/06/17 CHKD:BBARKER 2015/06/17 APPR:SMILLER 2015/06/30	QUALITY SYMBOLS ▽=0 ▽=0 ▽=0	GENERAL TOLERANCES (UNLESS SPECIFIED)		DIMENSION STYLE MM ONLY		SCALE 3:1	DESIGN UNITS METRIC	THIRD ANGLE PROJECTION		
		4 PLACES	± ---	± ---	mm	INCH	DRAWN BY BBARKER 2009/11/06		TITLE STACKED SFP 2X1 MEDIUM HEIGHT ASS'Y, PRESS-FIT TAILS WITH LIGHT PIPES <b>molex</b> DOCUMENT NO. SD-75640-004 SHEET NO. 2 OF 4	
		3 PLACES	± ---	± ---	CHECKED BY MIBARRA 2009/11/06					
		2 PLACES	± 0.13	± ---	APPROVED BY SMILLER 2010/12/09					
1 PLACE	± 0.25	± ---	MATERIAL NO. SEE SHEET 1							
0 PLACE	± ---	± ---	ANGULAR ± 5 °		DRAFT WHERE APPLICABLE MUST REMAIN WITHIN DIMENSIONS		THIS DRAWING CONTAINS INFORMATION THAT IS PROPRIETARY TO MOLEX INCORPORATED AND SHOULD NOT BE USED WITHOUT WRITTEN PERMISSION			



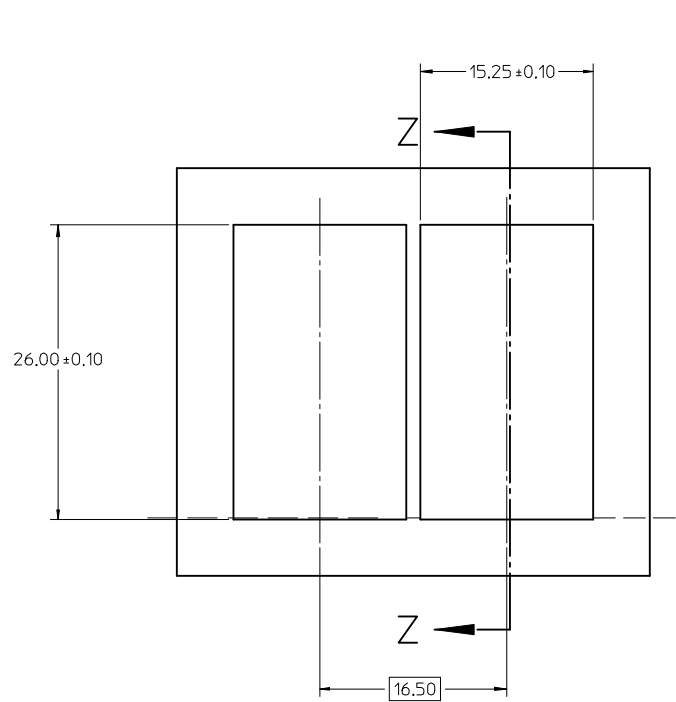
RECOMMENDED PCB LAYOUT - COMPONENT SIDE  
MINIMUM PCB THICKNESS OF 1.6mm

DETAIL A  
SCALE 10:1

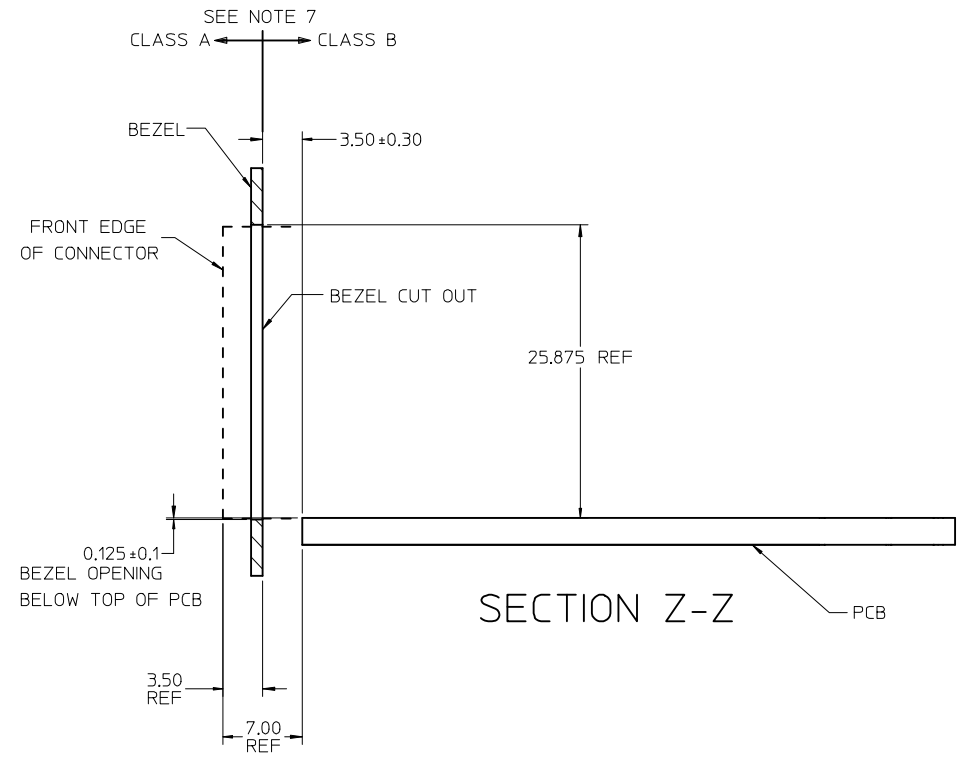


KEEPOUT ZONE DETAIL  
SCALE 4:1

SEE SHEET 1 EC NO: UCP2015-5229 DRAWN BY: DRWNSVANG01 CHECKED BY: CHYKD-BARKER APPROVED BY: APPR:SMILLER	REV D	DESCRIPTION 2015/06/17 2015/06/17 2015/06/30	QUALITY SYMBOLS ▽=0 ▽=0 ▽=0	GENERAL TOLERANCES (UNLESS SPECIFIED)		DIMENSION STYLE MM ONLY		SCALE 3:1	DESIGN UNITS METRIC	THIRD ANGLE PROJECTION
				mm	INCH	DRAWN BY BBARKER	DATE 2009/11/06	TITLE STACKED SFP 2X1 MEDIUM HEIGHT ASS'Y, PRESS-FIT TAILS WITH LIGHT PIPES	DOCUMENT NO. SD-75640-004	SHEET NO. 3 OF 4
DRAFT WHERE APPLICABLE MUST REMAIN WITHIN DIMENSIONS				ANGULAR ± 5 °		SEE SHEET 1		THIS DRAWING CONTAINS INFORMATION THAT IS PROPRIETARY TO MOLEX INCORPORATED AND SHOULD NOT BE USED WITHOUT WRITTEN PERMISSION		



BEZEL CUT-OUT CENTER SPACING DETAIL  
BEZEL THICKNESS 0.8-2.6



SEE SHEET 1 EC NO: UCP2015-5229 DRWNS:VANG01 2015/06/17 CHKD:BBARKER 2015/06/17 APPR:SMILLER 2015/06/30	QUALITY SYMBOLS ∇=0 ∇=0 ∇=0	GENERAL TOLERANCES (UNLESS SPECIFIED)		DIMENSION STYLE MM ONLY		SCALE 3:1	DESIGN UNITS METRIC	THIRD ANGLE PROJECTION	
		4 PLACES ± --- ± ---	mm INCH	DRAWN BY BBARKER	DATE 2009/11/06	TITLE STACKED SFP 2X1 MEDIUM HEIGHT ASS'Y, PRESS-FIT TAILS WITH LIGHT PIPES			
		3 PLACES ± --- ± ---		CHECKED BY MIBARRA	DATE 2009/11/06				
		2 PLACES ± 0.13 ± ---		APPROVED BY SMILLER	DATE 2010/12/09	DOCUMENT NO. SD-75640-004			
1 PLACE ± 0.25 ± ---		MATERIAL NO.		SHEET NO. 4 OF 4					
0 PLACE ± --- ± ---		ANGULAR ± 5 °		SEE SHEET 1		THIS DRAWING CONTAINS INFORMATION THAT IS PROPRIETARY TO MOLEX INCORPORATED AND SHOULD NOT BE USED WITHOUT WRITTEN PERMISSION			
DRAFT WHERE APPLICABLE MUST REMAIN WITHIN DIMENSIONS									