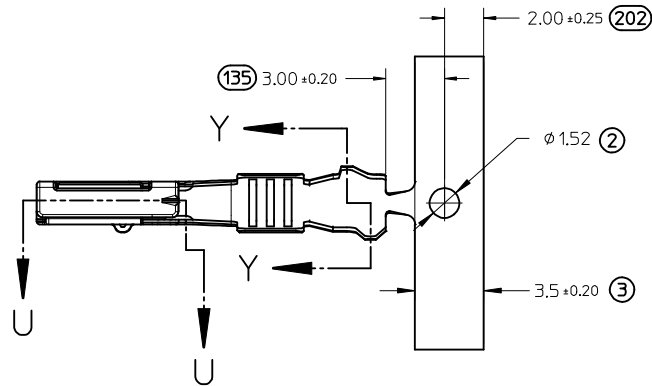
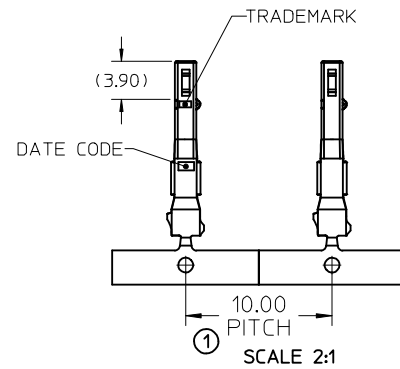
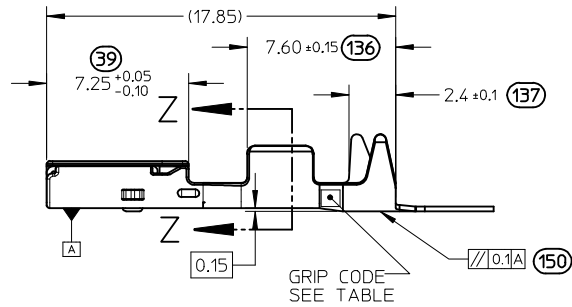
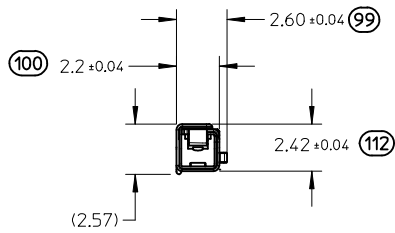


ISO VIEWS
NOT TO SCALE

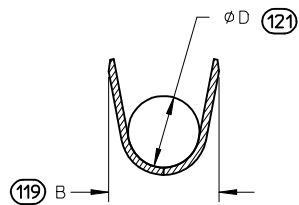
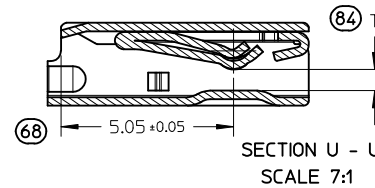
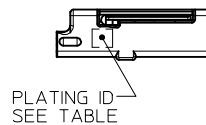


PART NUMBERS		GRIP CODE	WIRE GAUGE		PLATING		VERSION	LUBRICATION	DIM A ±0.2	DIM B ±0.3	DIM 0C ±0.1	DIM 0D ±0.1	DIM T
D-WIND (LEFT PAYOFF)	B-WIND (RIGHT PAYOFF)		METRIC mm2	SAE AWG	TYPE	ID							
34805-0111	34805-0211	S	0.30-0.50	22					2	2.6	1	1.54	
34805-0112	34805-0212	M	0.75-1.25	20/18	TIN (Sn)	NO MARK	STANDARD	NO	2.6	3.2	1.5	1.98	0.62 ±0.03
34805-0113	34805-0213	L	1.25-2.00	16/14					3.1	3.9	1.8	2.44	

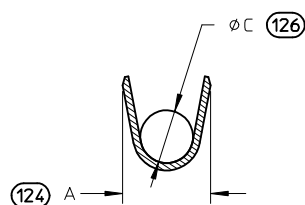


NOTES: (UNLESS OTHERWISE SPECIFIED)

1. MATERIAL: COPPER ALLOY
2. PACKAGING PER SD-31301-053
3. CRIMPING PER AS-502307-001
4. PROBING IS NOT PERMITTED AT ANY LOCATION ON TERMINAL CONTACT SURFACES



SECTION Y-Y
SCALE 6:1
INSULATION GRIP



SECTION Z-Z
SCALE 6:1
CONDUCTOR GRIP

ENTER DESCRIPTION IEC NO: UAUZ013-0899 DRAWN: DHENNI 2012/12/11 CHKD: APPR: BMOSER 2012/12/12 REV:	GENERAL TOLERANCES (UNLESS SPECIFIED)		DIMENSION STYLE MM ONLY		SCALE 4:1	DESIGN UNITS METRIC	THIRD ANGLE PROJECTION
	4 PLACES	± ---	± ---	DRAWN BY	DATE	CTX150 MAT SEAL RECEPTACLE TERMINAL	
	3 PLACES	± 0.08	± ---	SWLUO	2011/03/30		
	2 PLACES	± 0.08	± ---	CHECKED BY	DATE		
1 PLACE	± 0.08	± ---	BMOSER	2012/08/09			
0 PLACE	± ---	± ---	APPROVED BY	DATE	molex		
ANGULAR ± 1 ° DRAFT WHERE APPLICABLE MUST REMAIN WITHIN DIMENSIONS			MATERIAL NO. SEE NOTES	DOCUMENT NO. SD-34805-001			SHEET NO. 1 OF 1
THIS DRAWING CONTAINS INFORMATION THAT IS PROPRIETARY TO MOLEX INCORPORATED AND SHOULD NOT BE USED WITHOUT WRITTEN PERMISSION			SIZE B				