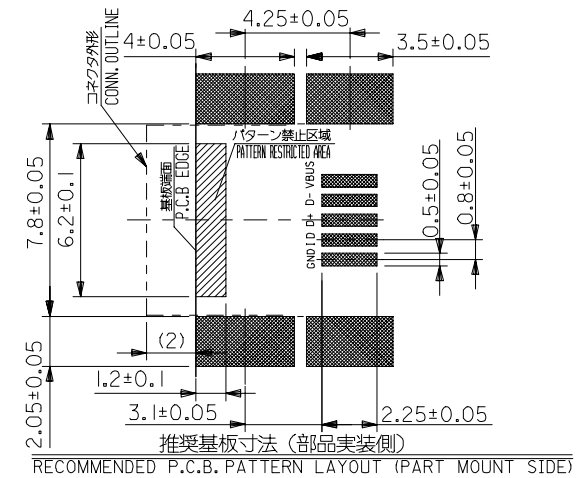
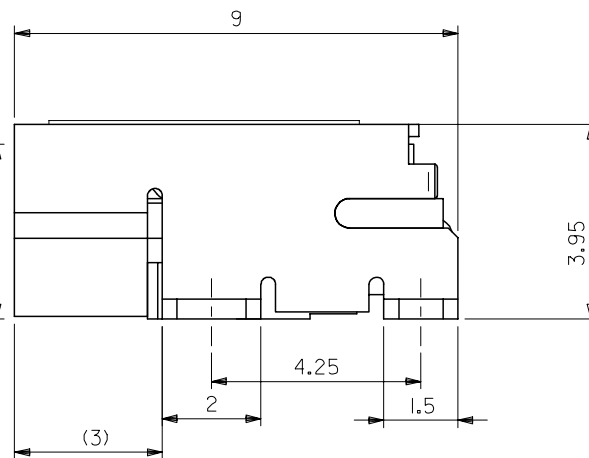


注記 1. 材質
 NOTES MATERIAL
 ハウジング: LCP(LIQUID CRYSTAL POLYMER) 黒色, UL94V-0
 HOUSING: LCP(LIQUID CRYSTAL POLYMER) BLACK, UL94V-0
 ターミナル: 銅合金 (t=0.2)
 TERMINAL: COPPER ALLOY (t=0.2)
 シールド ケース: 銅合金 (t=0.4)
 SHIELD CASE: COPPER ALLOY (t=0.4)
 カバー テープ: ポリイミド (t=0.08)
 COVER TAPE: POLYIMIDE (t=0.08)

- メッキ仕様
 PLATING
 ターミナル
 TERMINAL
 接点部: 金メッキ 0.75 μm MIN.
 CONTACT AREA: GOLD 0.75 MICRO METER MIN.
 半田付け部: 錫メッキ 1 μm MIN.
 SOLDER TAIL AREA: TIN 1 MICRO METER MIN.
 下地部: ニッケルメッキ 4 μm MIN.
 UNDER PLATING: NICKEL 4 MICRO METER MIN.
 シールド ケース
 SHIELD CASE
 : 錫メッキ 1 μm MIN.
 : TIN 1 MICRO METER MIN.
 下地部: ニッケルメッキ 4 μm MIN.
 UNDER PLATING: NICKEL 4 MICRO METER MIN.
- テール、ネール平坦度は 0.1 mm MAX.
 TAIL, NAIL COPLANARITY 0.1mm MAX.
- 本製品は 54819-0571, 1571 の鉛フリー品である。
 THIS PRODUCT IS LEAD FREE OF 54819-0571, 1571.



54819-1579	MATERIAL NO.
54819-0579	MODEL NO.

REVISED EC NO: J2006-1106 DRW: YANAGI MOTO 2005/10/05 CHK: TANAKA 2005/10/06 APP: NUKITA 2005/10/13	GENERAL TOLERANCES (UNLESS SPECIFIED)		DIMENSION STYLE MM ONLY		SCALE ---	DESIGN UNIT'S METRIC	THIRD ANGLE PROJECTION
	10 UNDER	± 0.2	DRAWN BY M. NINOMIYA	DATE 2004/02/16	TITLE USB SERIES MINI-B RECEPTACLE ASS'Y FOR SMT -LEAD FREE-		
	10 OVER 30 UNDER	± 0.25	CHECKED BY K. TOJO	DATE 2004/02/16	MOLEX MOLEX INCORPORATED		
	30 OVER	± 0.3	APPROVED BY M. SASAO	DATE 2004/02/16	DOCUMENT NO. SD-54819-024		
	ANGULAR	± 3 °	MATERIAL NO. SEE CHART		SHEET NO. 1 OF 2		
	DRAFT WHERE APPLICABLE MUST REMAIN WITHIN DIMENSIONS		SIZE A3		THIS DRAWING CONTAINS INFORMATION THAT IS PROPRIETARY TO MOLEX INCORPORATED AND SHOULD NOT BE USED WITHOUT WRITTEN PERMISSION		

10 9 8 7 6 5 4 3 2 1

F

F

E

E

D

D

C

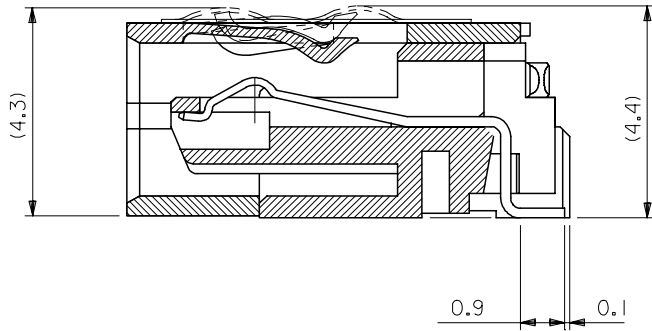
C

B

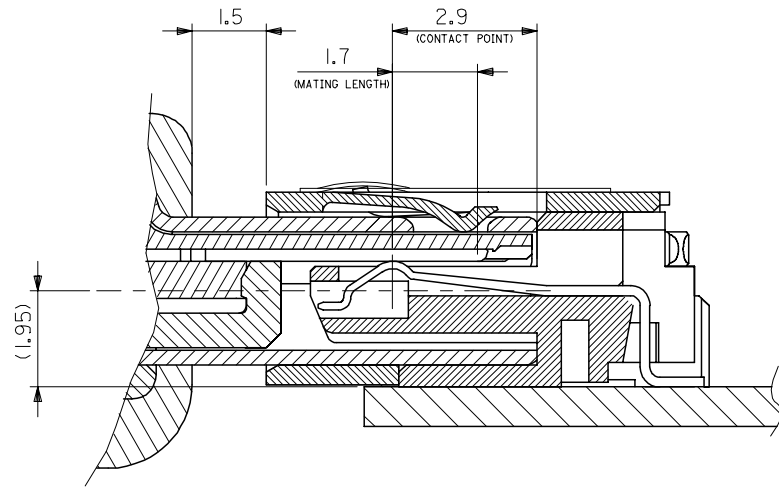
B

A

A



SECTION

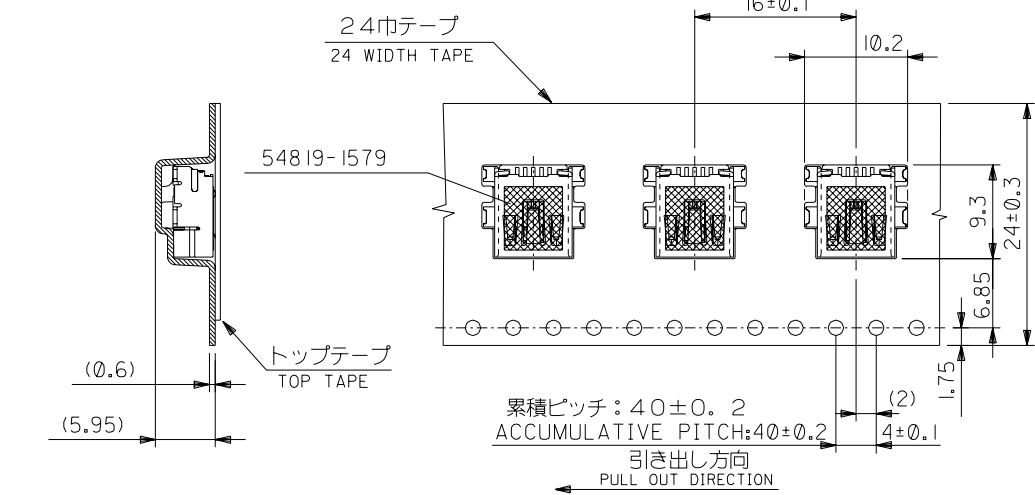
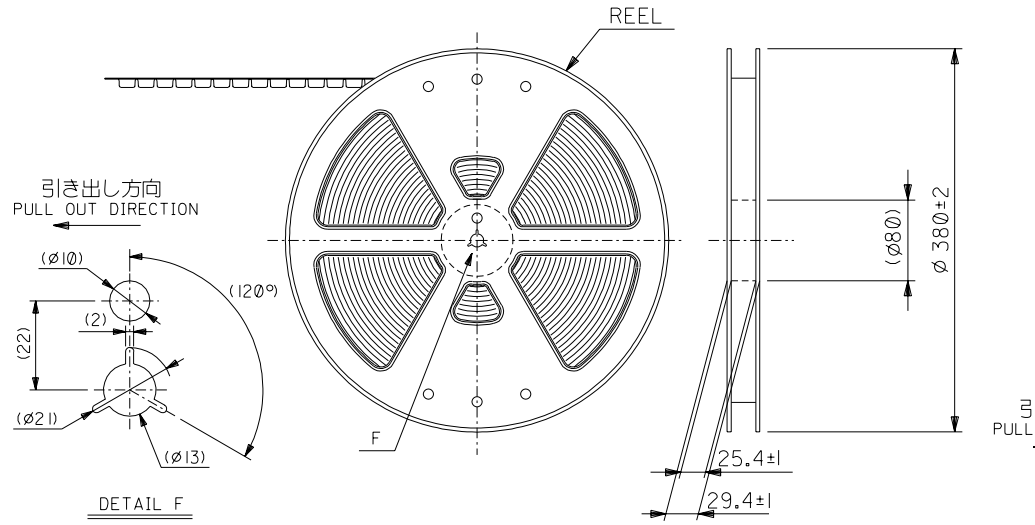


MATING

54819-1579	MATERIAL NO.
54819-***79	MODEL NO.

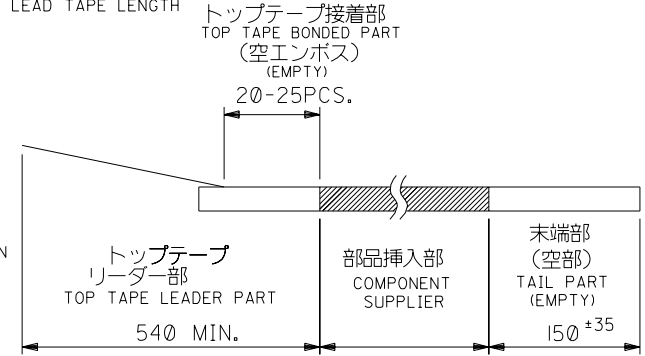
REVISED EC NO: J2006-1106 DRWN: YANAGI MOTO 2005/10/05 CHKD: TANAKA 2005/10/06 APPR: NUKITA 2005/10/13	GENERAL TOLERANCES (UNLESS SPECIFIED)		DIMENSION STYLE MM ONLY		SCALE ---	DESIGN UNITS METRIC	THIRD ANGLE PROJECTION	
	10 UNDER	±0.2	DRAWN BY M. NINOMIYA	DATE 2004/02/16	TITLE USB SERIES MINI-B RECEPTACLE ASS'Y FOR SMT -LEAD FREE-			
	10 OVER 30 UNDER	±0.25	CHECKED BY K. TOJO	DATE 2004/02/16	APPROVED BY M. SASAO 2004/02/16			
	30 OVER	±0.3	MATERIAL NO.		DOCUMENT NO.		SHEET NO.	
	ANGULAR	±3 °	SEE CHART		SD-54819-024		2 OF 2	
DRAFT WHERE APPLICABLE MUST REMAIN WITHIN DIMENSIONS		THIS DRAWING CONTAINS INFORMATION THAT IS PROPRIETARY TO MOLEX INCORPORATED AND SHOULD NOT BE USED WITHOUT WRITTEN PERMISSION						

DWG. NO. SD-54819-025

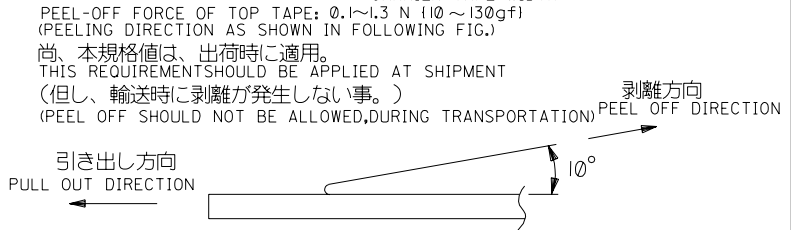


NOTES

- 54819-1579の詳細はSD-54819-024参照
IN THE PACKAGE PART NO.54819-1579 DETAILED .SEE SD-54819-024
- 梱包数量: 800 個/リール
NUMBER OF CONNECTORS: 800 PCS/REEL
- リードテープ長さ
LEAD TAPE LENGTH



- トップテープの剥離強度: 0.1 ~ 1.3 N (10 ~ 130gf)
(剥離方向は下図参照) キャリアテープ幅: 24mm
PEEL-OFF FORCE OF TOP TAPE: 0.1~1.3 N (10~130gf)
(PEELING DIRECTION AS SHOWN IN FOLLOWING FIG.)
尚、本規格値は、出荷時に適用。
THIS REQUIREMENT SHOULD BE APPLIED AT SHIPMENT
(但し、輸送時に剥離が発生しない事。)
(PEEL OFF SHOULD NOT BE ALLOWED, DURING TRANSPORTATION)



- 材料
MATERIAL
キャリアテープ: ポリプロピレン
CARRIER TAPE: POLYPROPYLENE
トップテープ: ポリエステル, ポリエチレン
TOP TAPE: POLYESTER, POLYETHYLENE
リール: ポリスチレン
REEL: POLYSTYRENE

- 本製品は 54819-0578, 1578 の鉛フリー品である。
THIS PRODUCT IS LEAD FREE OF 54819-0578, 1578.

エンボステープ内の製品の向き
DIRECTION OF CONNECTOR IN EMBOSSED TAPE

DO NOT SCALE DRAWING	REVISED	RELEASED	MATERIAL 材料 SEE NOTES	GENERAL TOLERANCES: (UNLESS SPECIFIED) 一般公差	54819-072		MODEL NO.	54819-1572		MATERIAL NO.	
	SCALE	DESIGN UNITS			PROJECTION	DIMENSIONS:		SHT	REV		
	10 UNDER 未満	±0.2			DRAWN BY & DATE M.NINOMIYA '04/02/13	mm		INCH	mm ONLY	INCH	
	10 OVER 以上	±0.25			CHECKED BY & DATE K.TOJO '04/02/13	INCH		mm	mm ONLY	INCH	
			FINISH 仕上げ	30 UNDER 未満	±0.3	APPROVED BY & DATE H. Sasaki '04/02/13	TITLE: USB SERIES MINI-B REC. HS'G EMBOSSED ASS'Y -LEAD FREE-				
			WIRE RANGE 適用線径範囲	30 OVER 以上	±0.3	MOLEX MOLEX INCORPORATED					
			INS. RANGE 被覆外径	ANGLE 角度	±3°	CAD FILENAME SD-54819-025.S01	MATERIAL NO. SEE CHART	DRAWING NO. SD-54819-025	SHEET NO. 1 OF 1		SIZE B