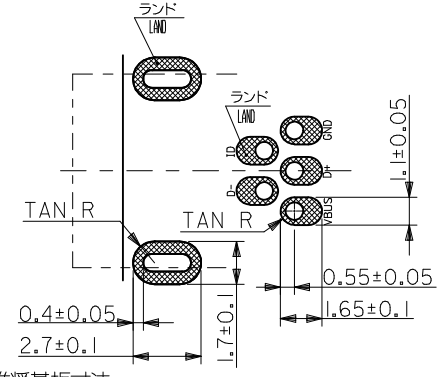
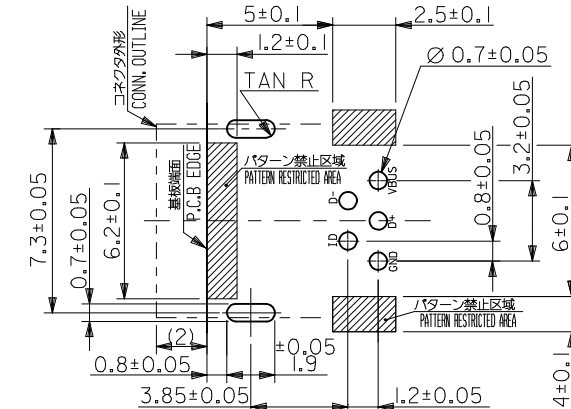
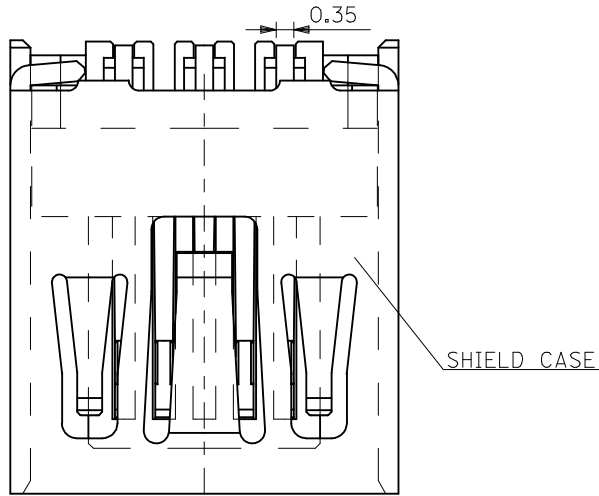
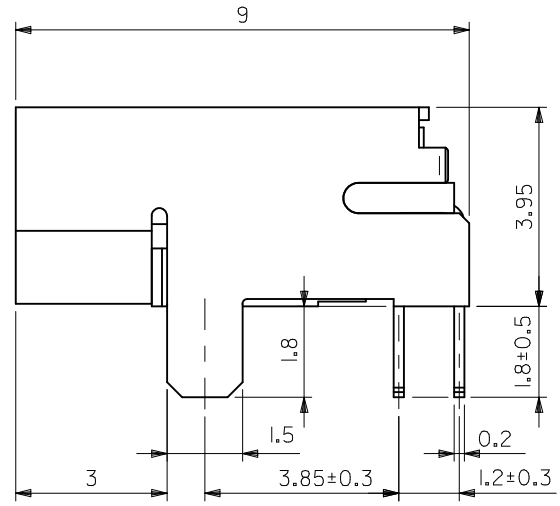
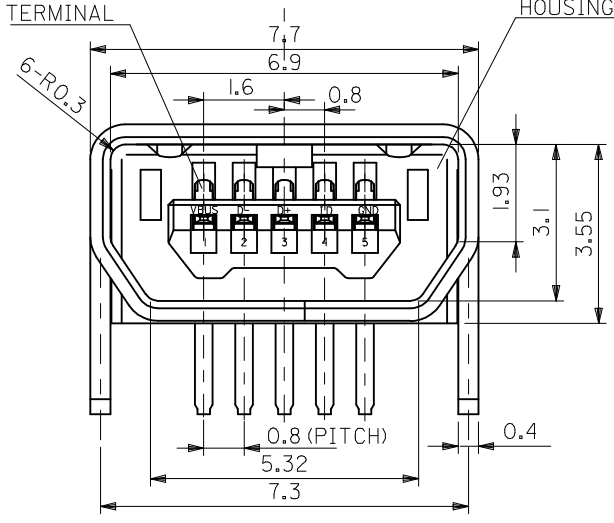


コネクタ実装側 (CONNECTOR MOUNT SIDE)

逆側 (REVERSE SIDE)



推奨基板寸法  
RECOMMENDED P.C.B. PATTERN LAYOUT



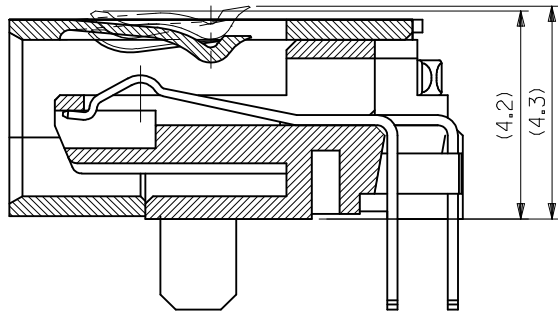
- 注記 1. 材質  
NOTES MATERIAL
- ハウジング: PA, ガラス充填, 灰色, UL94V-0
  - HOUSING: PA, GLASS FILLED, GRAY, UL94V-0
  - ターミナル: 銅合金 (t=0.2)
  - TERMINAL: COPPER ALLOY (t=0.2)
  - シールド ケース: 銅合金 (t=0.4)
  - SHIELD CASE: COPPER ALLOY (t=0.4)
2. メッキ仕様  
PLATING
- ターミナル  
TERMINAL
  - 接点部: 金メッキ 0.76MICRO METER MIN.
  - CONTACT AREA: GOLD 0.76MICRO METER MIN.
  - 半田付け部: 銅メッキ 1.0MICRO METER MIN.
  - SOLDER TAIL AREA: TIN 1.0MICRO METER MIN.
  - 下地部: ニッケルメッキ 4.0MICRO METER MIN.
  - UNDER PLATING: NICKEL 4.0MICRO METER MIN.
  - シールド ケース  
SHIELD CASE
  - : 銅メッキ 1.0MICRO METER MIN.
  - : TIN 1.0MICRO METER MIN.
  - 下地部: ニッケルメッキ 1.0MICRO METER MIN.
  - UNDER PLATING: NICKEL 1.0MICRO METER MIN.
3. 本製品は56579-0511の鉛フリー品である。  
THIS PRODUCT IS LEAD FREE OF 56579-0511

56579-0519
TRAY PKG.
ORDER NO.

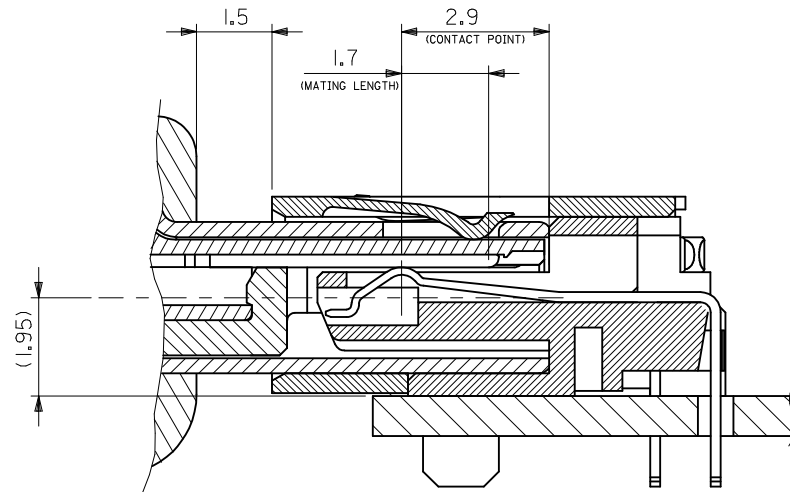
MODEL No.56579-\*\*-19

REVISED EC NO: J2009-1533 DRW: NESATO 2009/06/25 CHKD: MATSUMOTO 2009/06/25 APPR: NUKITA 2009/06/25 A	DESCRIPTION 10 UNDER ±0.2 10 OVER 30 UNDER ±0.25 30 OVER ±0.3 ANGULAR ±3 ° DRAFT WHERE APPLICABLE MUST REMAIN WITHIN DIMENSIONS	GENERAL TOLERANCES (UNLESS SPECIFIED)		DIMENSION STYLE	SCALE	DESIGN UNITS	M.O.L.E.X. MOLEX INCORPORATED SD-56579-014 SHEET NO. 1 OF 2
				MM ONLY	---	METRIC	
		DRAWN BY	DATE	TITLE			
		M. NAGATA	2004/03/10	USB SERIES MINI-AB REC.ASS'Y DIP -LEAD FREE-			
		CHECKED BY	DATE				
K. TOJO	2004/03/10						
APPROVED BY	DATE						
M. SASAO	2004/03/10						
MATERIAL NO.	SEE TABLE		DOCUMENT NO.				
SIZE	THIS DRAWING CONTAINS INFORMATION THAT IS PROPRIETARY TO MOLEX INCORPORATED AND SHOULD NOT BE USED WITHOUT WRITTEN PERMISSION						
A3							

10 9 8 7 6 5 4 3 2 1



SECTION



MATING

MODEL No.56579-\*\*-19

<b>REVISED</b> EC NO: J2009-1533 DRW: NESATO 2009/06/25 CHK: D: MATSUMOTO 2009/06/25 APPR: NUKITA 2009/06/25	GENERAL TOLERANCES (UNLESS SPECIFIED)		DIMENSION STYLE <b>MM ONLY</b>	SCALE ---	DESIGN UNITS METRIC	THIRD ANGLE PROJECTION	
	10 UNDER	±0.2	DRAWN BY M. NAGATA	DATE 2004/03/10	TITLE USB SERIES MINI-AB REC. HS'G ASS'Y (DIP) -LEAD FREE-		
	10 OVER 30 UNDER	±0.25	CHECKED BY K. TOJO	DATE 2004/03/10	MOLEX INCORPORATED		
	30 OVER	±0.3	APPROVED BY M. SASAO	DATE 2004/03/10	MATERIAL NO. SEE SHEET 1	DOCUMENT NO. SD-56579-014	SHEET NO. 2 OF 2
A	ANGULAR ±3 ° DRAFT WHERE APPLICABLE MUST REMAIN WITHIN DIMENSIONS	THIS DRAWING CONTAINS INFORMATION THAT IS PROPRIETARY TO MOLEX INCORPORATED AND SHOULD NOT BE USED WITHOUT WRITTEN PERMISSION					