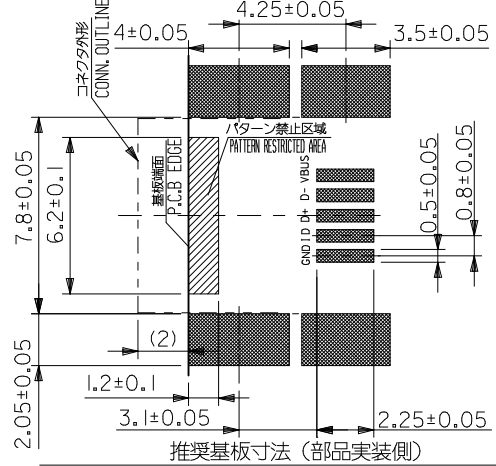


注記 1. 材質
 NOTES MATERIAL
 ハウジング: PA, ガラス充填, 灰色, UL94V-0
 HOUSING: PA, GLASS FILLED, GRAY, UL94V-0
 ターミナル: 銅合金 (t=0.2)
 TERMINAL: COPPER ALLOY (t=0.2)
 シールドケース: 銅合金 (t=0.4)
 SHIELD CASE: COPPER ALLOY (t=0.4)
 カバーテープ: ポリイミド (t=0.08)
 COVER TAPE: POLYIMIDE (t=0.08)

2. ヌッキ仕様
 PLATING
 ターミナル
 TERMINAL
 接点部: 金メッキ 0.76MICRO METER MIN.
 CONTACT AREA: GOLD 0.76MICRO METER MINIMUM.
 半田付け部: 錫メッキ 1.0MICRO METER MIN.
 SOLDER TAIL AREA: TIN 1.0MICRO METER MINIMUM.
 下地部: ニッケルメッキ 4.0MICRO METER MIN.
 UNDER PLATING: NICKEL 4.0MICRO METER MINIMUM.
 シールドケース
 SHIELD CASE
 : 錫メッキ 1.0MICRO METER MIN.
 : TIN 1.0 MICRO METER MINIMUM.
 下地部: ニッケルメッキ 4.0MICRO METER MIN.
 UNDER PLATING: NICKEL 4.0 MICRO METER MINIMUM.

3. テール、ネール平坦度は0.1mm MAX.
 TAIL, NAIL COPLANARITY 0.1mm MAX.

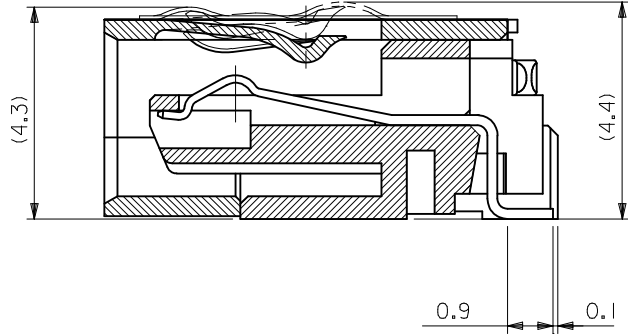
4. 本製品は56579-0571の鉛フリー品である。
 THIS PRODUCT IS LEAD FREE OF 56579-0571.



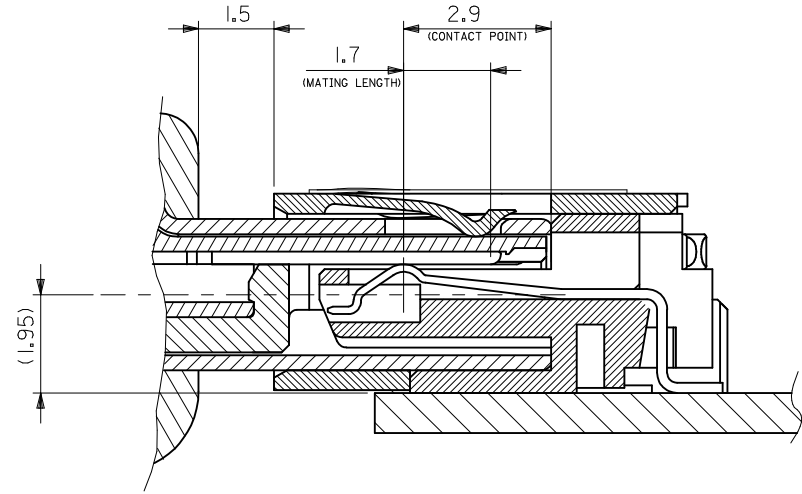
推奨基板寸法 (部品実装側)
 RECOMMENDED P.C.B. PATTERN LAYOUT (PART MOUNT SIDE)

56579-0576	56579-0579
EMBOSSED TAPE	MATERIAL No.
ORDER No.	
MODEL No.56579-**79	

REVISED EC NO: J2009-1533 DRW: NESATO 2009/06/25 CHKD: MATSUMOTO 2009/06/25 APPR: NUKITA 2009/06/25 REV: A	DESCRIPTION GENERAL TOLERANCES (UNLESS SPECIFIED) 10 UNDER ±0.2 10 OVER 30 UNDER ±0.25 30 OVER ±0.3 ANGULAR ±3 ° DRAFT WHERE APPLICABLE MUST REMAIN WITHIN DIMENSIONS	DIMENSION STYLE MM ONLY	SCALE 10:1	DESIGN UNITS METRIC	THIRD ANGLE PROJECTION		
		DRAWN BY M. NAGATA	DATE 2004/05/17	TITLE USB SERIES MINI-AB RECH.S'G ASS'Y(SMT) -LEAD FREE-			
		CHECKED BY K. TOJO	DATE 2004/05/17	MOLEX INCORPORATED			
		APPROVED BY M. SASAO	DATE 2004/05/17	MATERIAL NO. SEE TABLE	DOCUMENT NO. SD-56579-015	SHEET NO. 1 OF 2	
		THIS DRAWING CONTAINS INFORMATION THAT IS PROPRIETARY TO MOLEX INCORPORATED AND SHOULD NOT BE USED WITHOUT WRITTEN PERMISSION					



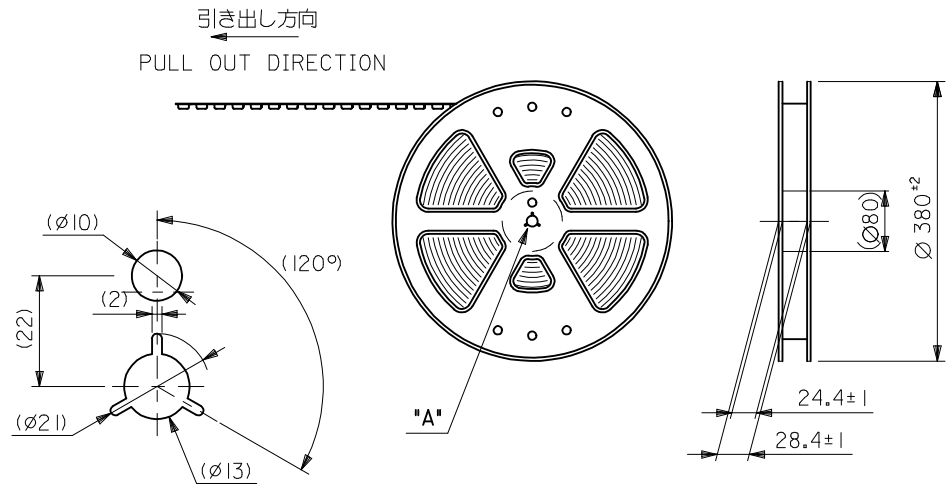
SECTION



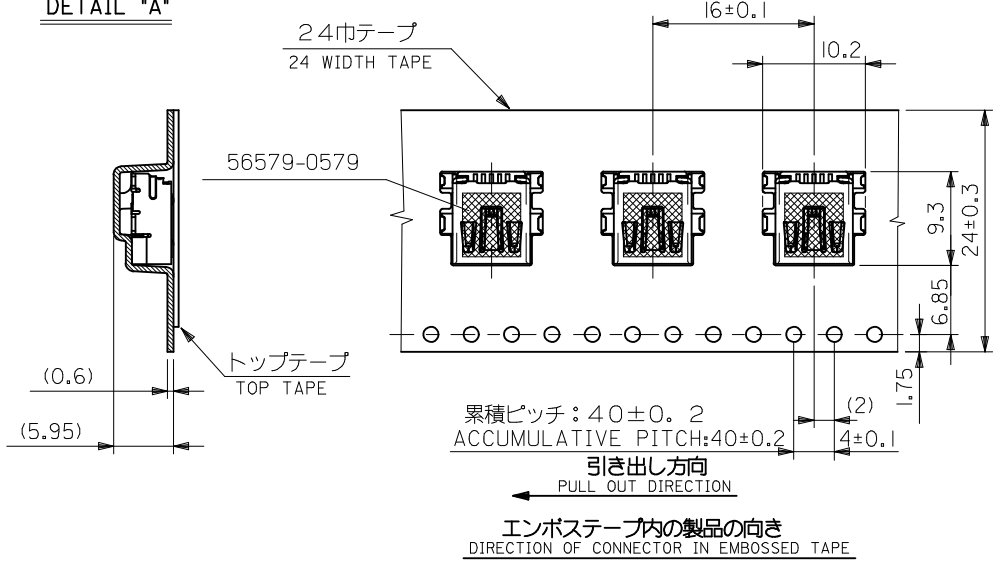
MATING

MODEL No.56579-**79

REVISED EC NO.: J2009-1533 DRW: NESATO 2009/06/25 CHK'D: MATSUMOTO 2009/06/25 APPR: NUKITA 2009/06/25	GENERAL TOLERANCES (UNLESS SPECIFIED)		DIMENSION STYLE MM ONLY	SCALE 10:1	DESIGN UNITS METRIC	THIRD ANGLE PROJECTION	
	10 UNDER	±0.2	DRAWN BY M. NAGATA	DATE 2004/05/17	TITLE USB SERIES MINI-AB REC.HS'G ASS'Y(SMT) -LEAD FREE-		
	10 OVER 30 UNDER	±0.25	CHECKED BY K. TOJO	DATE 2004/05/17			
	30 OVER	±0.3	APPROVED BY M. SASAO	DATE 2004/05/17	MOLEX INCORPORATED DOCUMENT NO. SD-56579-015 SHEET NO. 2 OF 2		
ANGULAR ±3 °		MATERIAL NO. SEE SHEET1					
DRAFT WHERE APPLICABLE MUST REMAIN WITHIN DIMENSIONS		THIS DRAWING CONTAINS INFORMATION THAT IS PROPRIETARY TO MOLEX INCORPORATED AND SHOULD NOT BE USED WITHOUT WRITTEN PERMISSION					

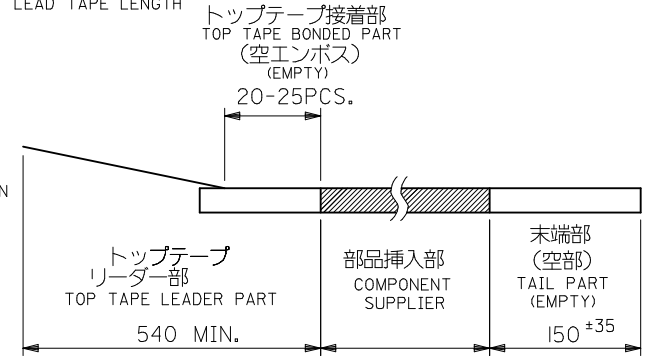


DETAIL "A"

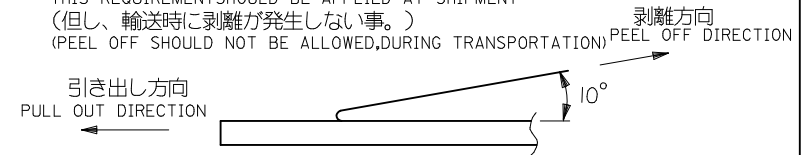


NOTES

- 56579-0579の詳細はSD-56579-015参照
IN THE PACKAGE PART NO.56579-0579 DETAILED, SEE SD-56579-015.
- 梱包数量: 800 個/リール
NUMBER OF CONNECTORS: 800 PCS/REEL
- リードテープ長さ
LEAD TAPE LENGTH



- トップテープの剥離強度: 0.1~1.3N(10 ~ 130gf)
(剥離方向は下図参照) キャリアテープ幅: 24mm
PEEL-OFF FORCE OF TOP TAPE: 0.1~1.3N(10 ~ 130gf)
(PEELING DIRECTION AS SHOWN IN FOLLOWING FIG.)
CARRIER TAPE WIDTH
尚、本規格値は、出荷時に適用。
THIS REQUIREMENT SHOULD BE APPLIED AT SHIPMENT
(但し、輸送時に剥離が発生しない事。)
(PEEL OFF SHOULD NOT BE ALLOWED, DURING TRANSPORTATION)



- 材料
MATERIAL
キャリアテープ: ポリプロピレン POLYSTYRENE(PS)
CARRIER TAPE: POLYPROPYLENE
トップテープ: ポリエステル, ポリエチレン
TOP TAPE: POLYESTER, POLYETHYLENE
リール: ポリスチレン <リサイクル材を含む>
REEL: POLYSTYRENE <RECYCLE MATERIAL CONTAINED>
- 本製品は56579-0578の鉛フリー品である。
THIS PRODUCT IS LEAD FREE OF 56579-0578.

56579-0576
MATERIAL No.

MODEL No.56579-0576

REVISED EC NO: J2009-1142 DRWN:MTAKAZONO 2008/11/14 CHKD:HMATSUMOTO 2008/11/14 APPR:NUKITA 2008/11/14 REV A	DESCRIPTION	GENERAL TOLERANCES (UNLESS SPECIFIED)		DIMENSION STYLE MM ONLY		SCALE 2:1	DESIGN UNITS METRIC	THIRD ANGLE PROJECTION		
		10 UNDER	±0.2	DRAWN BY MNAGATA	DATE 2004/05/17	TITLE USB SERIES MINI-AB (SMT) EMBOSSED ASS'Y -LEAD FREE-				
		10 OVER 30 UNDER	±0.25	CHECKED BY KTOJO	DATE 2004/05/17	MOLEX INCORPORATED				
		30 OVER	±0.3	APPROVED BY MSASAO	DATE 2004/05/17	DOCUMENT NO. SD-56579-016				
ANGULAR ±3 °		DRAFT WHERE APPLICABLE MUST REMAIN WITHIN DIMENSIONS		MATERIAL NO. SEE TABLE		SHEET NO. 1 OF 1				
THIS DRAWING CONTAINS INFORMATION THAT IS PROPRIETARY TO MOLEX INCORPORATED AND SHOULD NOT BE USED WITHOUT WRITTEN PERMISSION										