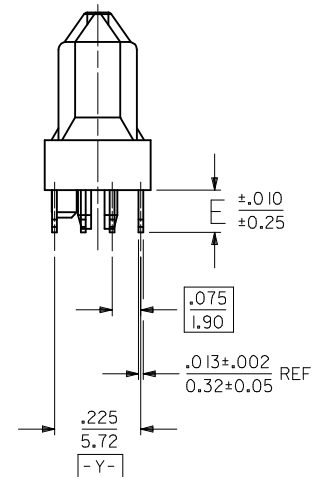
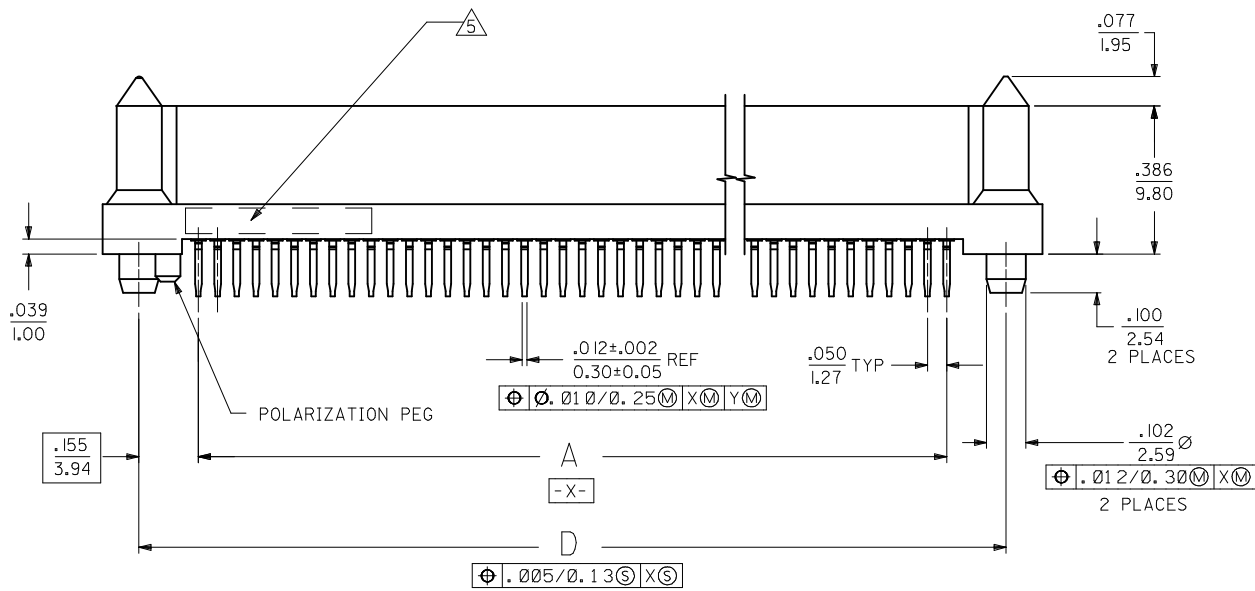


NOTES:

- 1) MATERIALS:
HOUSING- LCP, GLASS FILLED, 94V-0, BLACK.
TERMINALS- COPPER ALLOY
- 2) FINISH:
TERMINALS:
.000030/(0.00076) MINIMUM GOLD IN CONTACT AREA AND
.000050/(0.00127) MINIMUM TIN IN TAIL AREA OVER
.000075/(0.00191) MINIMUM NICKEL UNDERPLATE OVERALL.
- 3) ASSEMBLY MATES WITH MOLEX P/N SDA-71661-7***.
CONFORMS TO PRODUCT SPECIFICATION PS-71660.
- 4) MINIMUM RECOMMENDED SOLDER TAIL LENGTH (E) IS
PCB THICKNESS + 0.020" (0.50MM)
REFER TO IPC-610 FOR MAXIMUM TAIL LENGTH
- 5) FOUR DIGIT DATE CODE TO BE LOCATED ON SURFACE
AS SHOWN.



RECOMM TAIL LENGTH EC NO: UCP2016-4844 DRWN: MPOFF 2016/06/22 CHKD: DMORGAN 2016/06/22 APPR: DMCOWAN 2016/06/28	QUALITY SYMBOLS ▽=0 ▽=0 ▽=0	GENERAL TOLERANCES (UNLESS SPECIFIED)		DIMENSION STYLE IN/MM	SCALE INCH	DESIGN UNITS INCH	THIRD ANGLE PROJECTION
		4 PLACES ± --- ± --- 3 PLACES ± --- ± .005 2 PLACES ± .13 ± --- 1 PLACE ± --- ± --- 0 PLACE ± --- ± ---	mm INCH ± --- ± --- ± .13 ± --- ± --- ± --- ± --- ± ---	DRAWN BY MPOFF	DATE 2016/06/22	TITLE EBBI 50D VERTICAL RCPT BLIND MATE CONNECTOR SALES ASSEMBLY	
		DRAFT WHERE APPLICABLE MUST REMAIN WITHIN DIMENSIONS		CHECKED BY RAN	DATE 1993/11/17	molex	
		ANGULAR ±1/2°		APPROVED BY DATE	MATERIAL NO. SEE TABLE	DOCUMENT NO. SDA-71660-7***	

