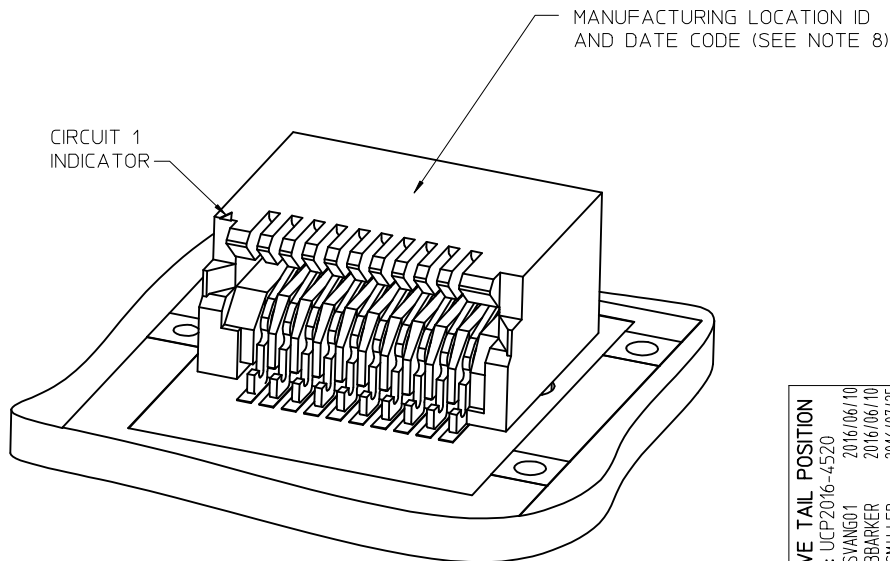


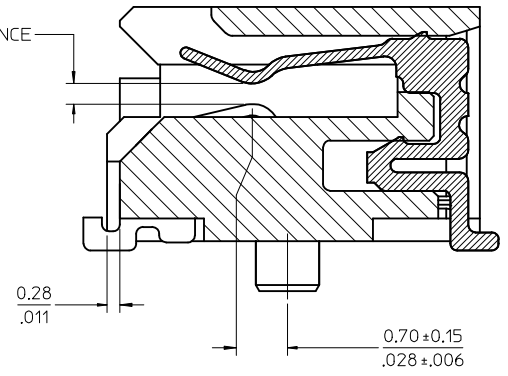
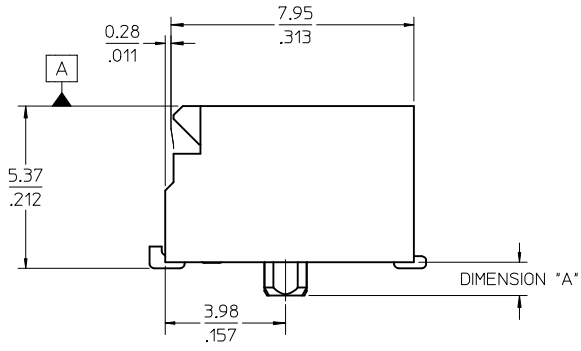
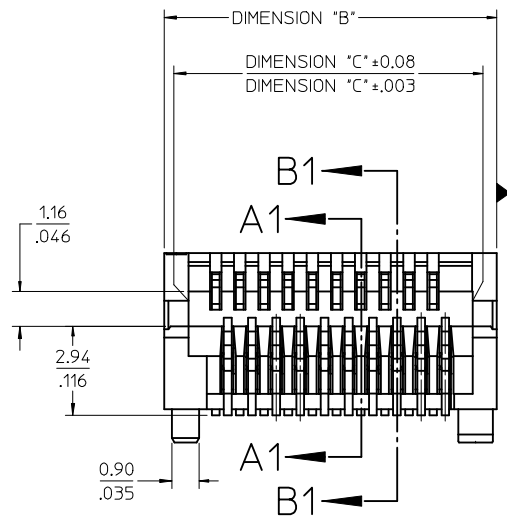
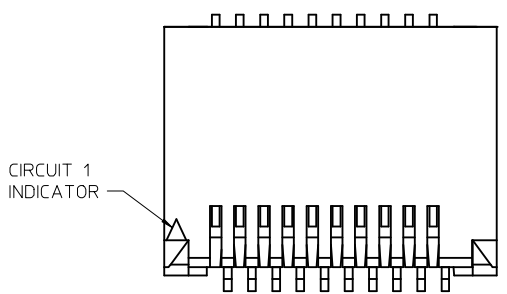
CKT SIZE	PART NUMBER	TOOLED	DESCRIPTION	DIMENSIONS				MULTI-SOURCE AGREEMENT	CIRCUIT BOARD LAYOUT
				"A"	"B"	"C"	"D"		
20	74441-0001	YES	PLATED PER NOTE 2	1.10/.043	11.00/.433	9.40/.370	9.60/.378	SFP	SEE SHEET 3
	74441-0004	NO*	PLATED PER NOTE 2	0.76/.030					
	74441-0010	YES	PLATED PER NOTE 3	1.10/.043					
	74441-0014	NO*	PLATED PER NOTE 3	0.76/.030					
	74441-0031	YES	PLATED PER NOTE 4	1.10/.043					
30	74441-0007	YES	PLATED PER NOTE 2	1.10/.043	15.00/.591	13.40/.528	13.60/.535	XFP	SEE SHEET 4
	74441-0017	YES	PLATED PER NOTE 3	1.10/.043					
	74441-0037	YES	PLATED PER NOTE 4	1.10/.043					
40	74441-0005	YES	PLATED PER NOTE 2	1.10/.043	19.00/.748	17.40/.685	17.60/.693		SEE SHEET 5
	74441-0015	YES	PLATED PER NOTE 3	1.10/.043					
	74441-0035	YES	PLATED PER NOTE 4	1.10/.043					
50	74441-0008	YES	PLATED PER NOTE 2	1.10/.043	23.00/.906	21.40/.843	21.60/.850		SEE SHEET 6
	74441-0018	YES	PLATED PER NOTE 3	1.10/.043					
	74441-0038	YES	PLATED PER NOTE 5	1.10/.043					
70	74441-0003	YES	PLATED PER NOTE 2	1.10/.043	31.00/1.220	29.40/1.517	29.60/1.165	XENPAK XPAK X2	SEE SHEET 7
	74441-0013	YES	PLATED PER NOTE 3	1.10/.043					
	74441-0033	YES	PLATED PER NOTE 4	1.10/.043					

**NOTES**

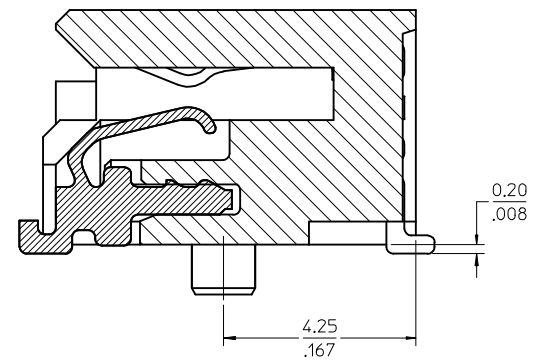
- MATERIAL:**  
HOUSING - HIGH TEMPERATURE THERMOPLASTIC GLASS FILLED, UL 94V-0, BLACK  
TERMINALS - COPPER ALLOY
- PLATING (SEE TABLE):**  
CONTACT AREA - 0.38 MICROMETER MINIMUM GOLD OVER NICKEL  
SOLDER FOOT AREA - 2.54 MICROMETER MINIMUM TIN OVER NICKEL
- PLATING (SEE TABLE):**  
CONTACT AREA - 0.76 MICROMETER MINIMUM GOLD OVER NICKEL  
SOLDER AREA - 2.54 MICROMETER MINIMUM TIN OVER NICKEL
- PLATING (SEE TABLE):**  
CONTACT AREA - 0.76 MICROMETER MINIMUM GOLD OVER  
2.54 MICROMETERS MINIMUM NICKEL.  
SOLDER AREA: GOLD FLASH OVER NICKEL.
- PLATING (SEE TABLE):**  
CONTACT AREA - 0.38 MICROMETER MINIMUM GOLD OVER NICKEL,  
SOLDER AREA: GOLD FLASH OVER NICKEL.
- SOLDER FEET COPLANAR WITHIN 0.10/.004 FOR 20, 30 AND 40 CIRCUIT CONNECTORS,  
WITHIN 0.15/.006 FOR 50 AND 70 CIRCUIT CONNECTORS**
- \* CONTACT PLANT FOR MORE INFORMATION**
- DATE CODE: 4 DIGIT (3 DIGIT DAY, 1 DIGIT YEAR)**
- THE CIRCUIT 1 INDICATOR MAY VARY IN SIZE AND APPEARANCE.**



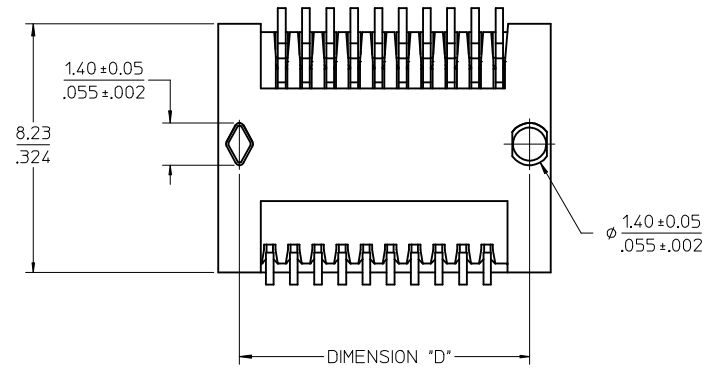
<b>REMOVE TAIL POSITION</b> EC NO: UCP2016-4520 DRWNSVANG01 2016/06/10 CHKD:BBARKER 2016/06/10 APPR:SMILLER 2016/07/25 REV Y	DESCRIPTION QUALITY SYMBOLS ▽=0 ▽=0 ▽=0	GENERAL TOLERANCES (UNLESS SPECIFIED) mm INCH 4 PLACES ± --- ± --- 3 PLACES ± --- ± .005 2 PLACES ± 0.13 ± .010 1 PLACE ± 0.25 ± --- 0 PLACE ± ±	DIMENSION STYLE MM/IN DRAWN BY DATE HAVERY 00/04/06 CHECKED BY DATE KSWEENEY 00/04/06 APPROVED BY DATE MBANAKIS 00/04/06	SCALE 1:1 DESIGN UNITS METRIC THIRD ANGLE PROJECTION	SALES ASSEMBLY Z AXIS PLUGGABLE PCB CONNECTOR <b>molex</b> DOCUMENT NO. SD-74441-001 SHEET NO. 1 OF 7
	ANGULAR ±1/2° DRAFT WHERE APPLICABLE MUST REMAIN WITHIN DIMENSIONS		MATERIAL NO. <b>SEE TABLE</b>		
			SIZE THIS DRAWING CONTAINS INFORMATION THAT IS PROPRIETARY TO MOLEX INCORPORATED AND SHOULD NOT BE USED WITHOUT WRITTEN PERMISSION		



SECTION A1-A1  
SCALE 12:1



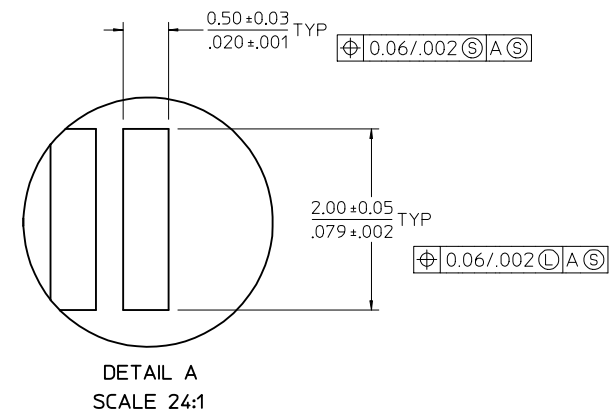
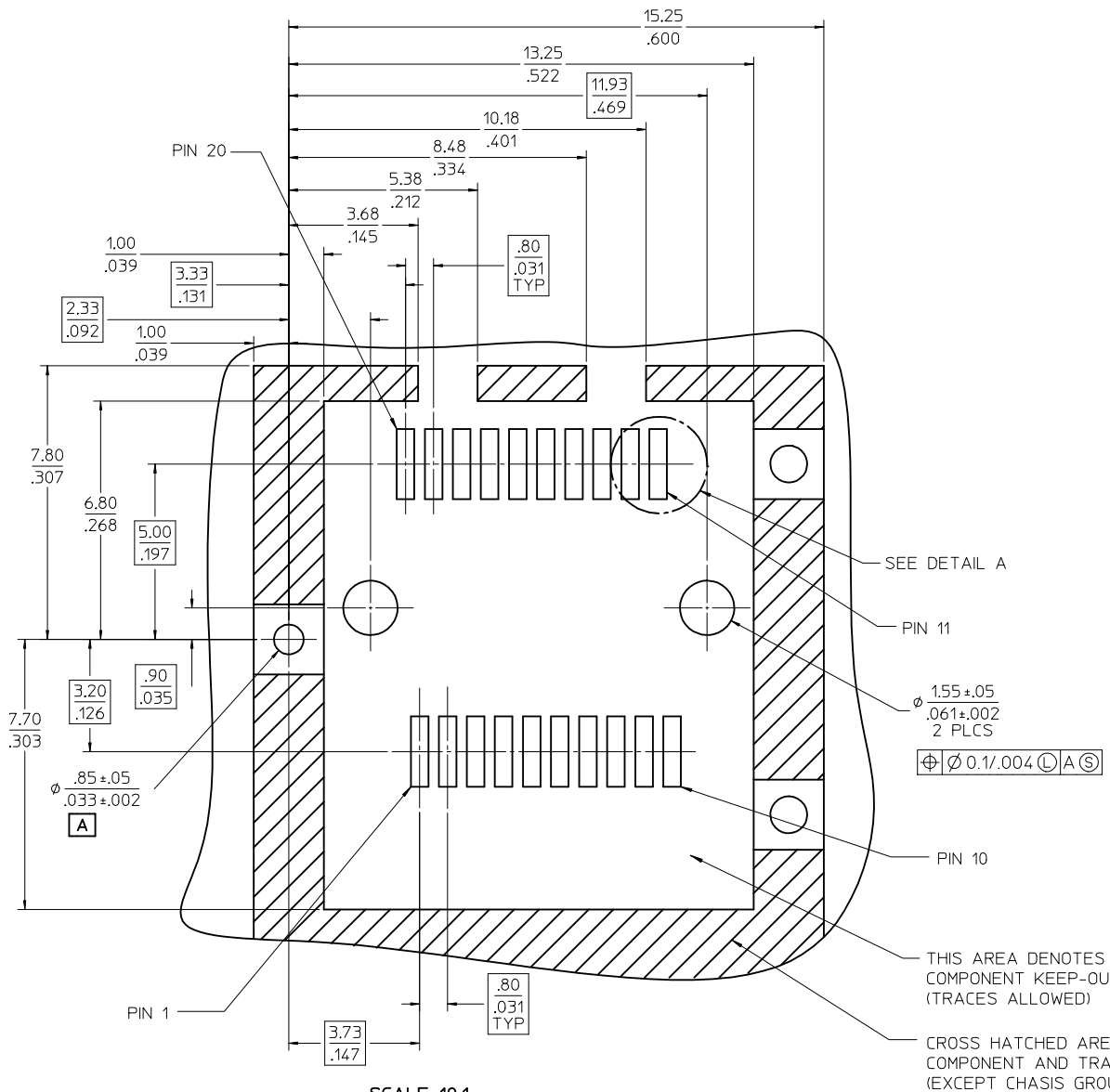
SECTION B1-B1  
SCALE 12:1



SEE SHEET 1 EC NO: UCP2016-4520 DRW:VYANG01 2016/06/10 CHKD:BBARKER 2016/06/10 APPR:SMILLER 2016/07/25	QUALITY SYMBOLS	GENERAL TOLERANCES (UNLESS SPECIFIED)	DIMENSION STYLE	SCALE	DESIGN UNITS	THIRD ANGLE PROJECTION
	▽=0	mm INCH	MM/IN	6:1	METRIC	
	▽=0	4 PLACES ± --- ± ---	DRAWN BY DATE			
	▽=0	3 PLACES ± --- ± .005	HAVERY 00/04/06			
		2 PLACES ± 0.13 ± .010	CHECKED BY DATE			
		1 PLACE ± 0.25 ± ---	KSWEENEY 00/04/06			
		0 PLACE ± ±	APPROVED BY DATE			
			MBANAKIS 00/04/06			
		ANGULAR ±1/2°	MATERIAL NO.			
		DRAFT WHERE APPLICABLE MUST REMAIN WITHIN DIMENSIONS	SEE TBL, SHT 1			
			SIZE C			

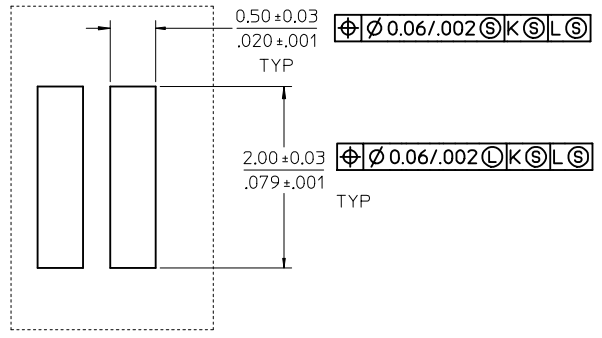
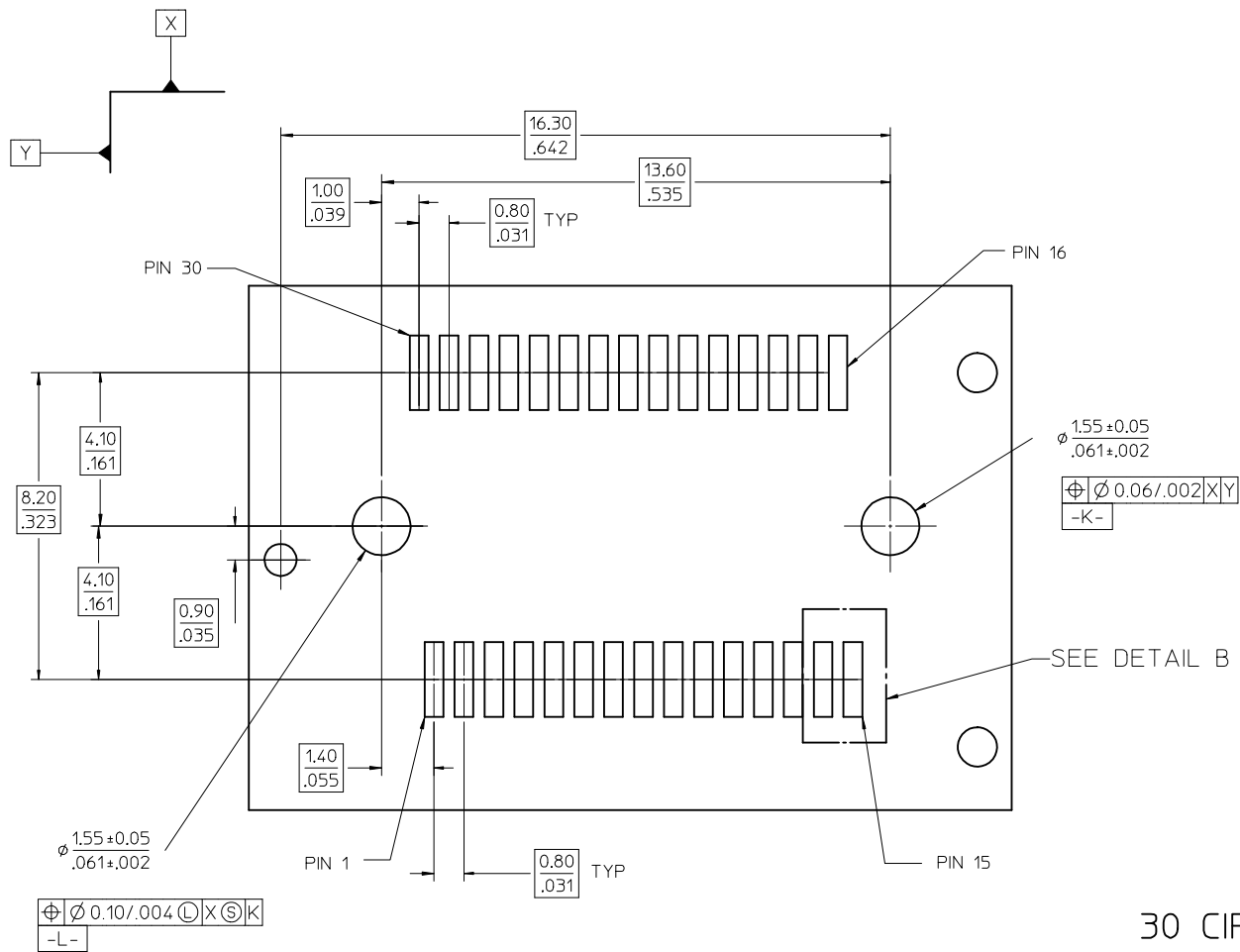
SALES ASSEMBLY Z AXIS PLUGGABLE PCB CONNECTOR	SHEET NO. 2 OF 7
<b>molex</b>	
DOCUMENT NO. SD-74441-001	

THIS DRAWING CONTAINS INFORMATION THAT IS PROPRIETARY TO MOLEX INCORPORATED AND SHOULD NOT BE USED WITHOUT WRITTEN PERMISSION	
---	--



20 CIRCUIT MOTHER BOARD  
RECOMMENDED PCB LAYOUT

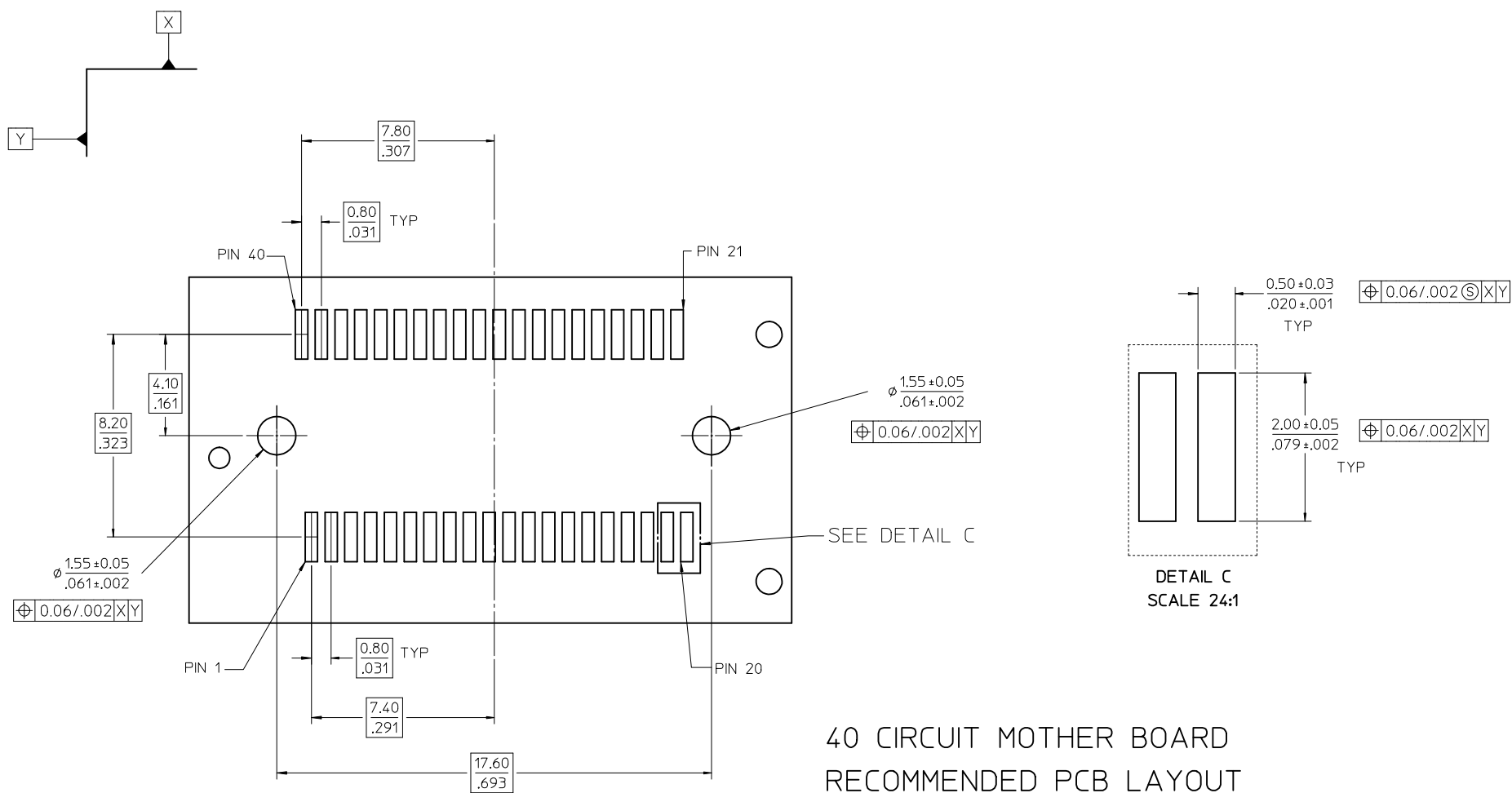
SEE SHEET 1 EC NO: UCP2016-4520 DRWNS:VANG01 2016/06/10 CHKD:BBARKER 2016/06/10 APPR:SWILLER 2016/07/25	QUALITY SYMBOLS 	GENERAL TOLERANCES (UNLESS SPECIFIED)		DIMENSION STYLE <b>MM/IN</b>	SCALE <b>8:1</b>	DESIGN UNITS <b>METRIC</b>	THIRD ANGLE PROJECTION 																										
		<table border="1"> <tr> <th></th> <th>mm</th> <th>INCH</th> </tr> <tr> <td>4 PLACES</td> <td>± .005</td> <td>± .0005</td> </tr> <tr> <td>3 PLACES</td> <td>± .005</td> <td>± .0005</td> </tr> <tr> <td>2 PLACES</td> <td>± 0.13</td> <td>± .010</td> </tr> <tr> <td>1 PLACE</td> <td>± 0.25</td> <td>± .020</td> </tr> <tr> <td>0 PLACE</td> <td>±</td> <td>±</td> </tr> </table>		mm	INCH	4 PLACES	± .005	± .0005	3 PLACES	± .005	± .0005	2 PLACES	± 0.13	± .010	1 PLACE	± 0.25	± .020	0 PLACE	±	±	<table border="1"> <tr> <th>DATE</th> <th>BY</th> </tr> <tr> <td>00/04/06</td> <td>HAVERY</td> </tr> <tr> <td>00/04/06</td> <td>KSWEENEY</td> </tr> <tr> <td>00/04/06</td> <td>MBANAKIS</td> </tr> </table>	DATE	BY	00/04/06	HAVERY	00/04/06	KSWEENEY	00/04/06	MBANAKIS	SALES ASSEMBLY Z AXIS PLUGGABLE PCB CONNECTOR <b>molex</b>			
		mm	INCH																														
	4 PLACES	± .005	± .0005																														
3 PLACES	± .005	± .0005																															
2 PLACES	± 0.13	± .010																															
1 PLACE	± 0.25	± .020																															
0 PLACE	±	±																															
DATE	BY																																
00/04/06	HAVERY																																
00/04/06	KSWEENEY																																
00/04/06	MBANAKIS																																
ANGULAR ±1/2° DRAFT WHERE APPLICABLE MUST REMAIN WITHIN DIMENSIONS	MATERIAL NO. <b>SEE TBL, SHT 1</b>	DOCUMENT NO. <b>SD-74441-001</b>	SHEET NO. <b>3 OF 7</b>																														



DETAIL B  
SCALE 24:1

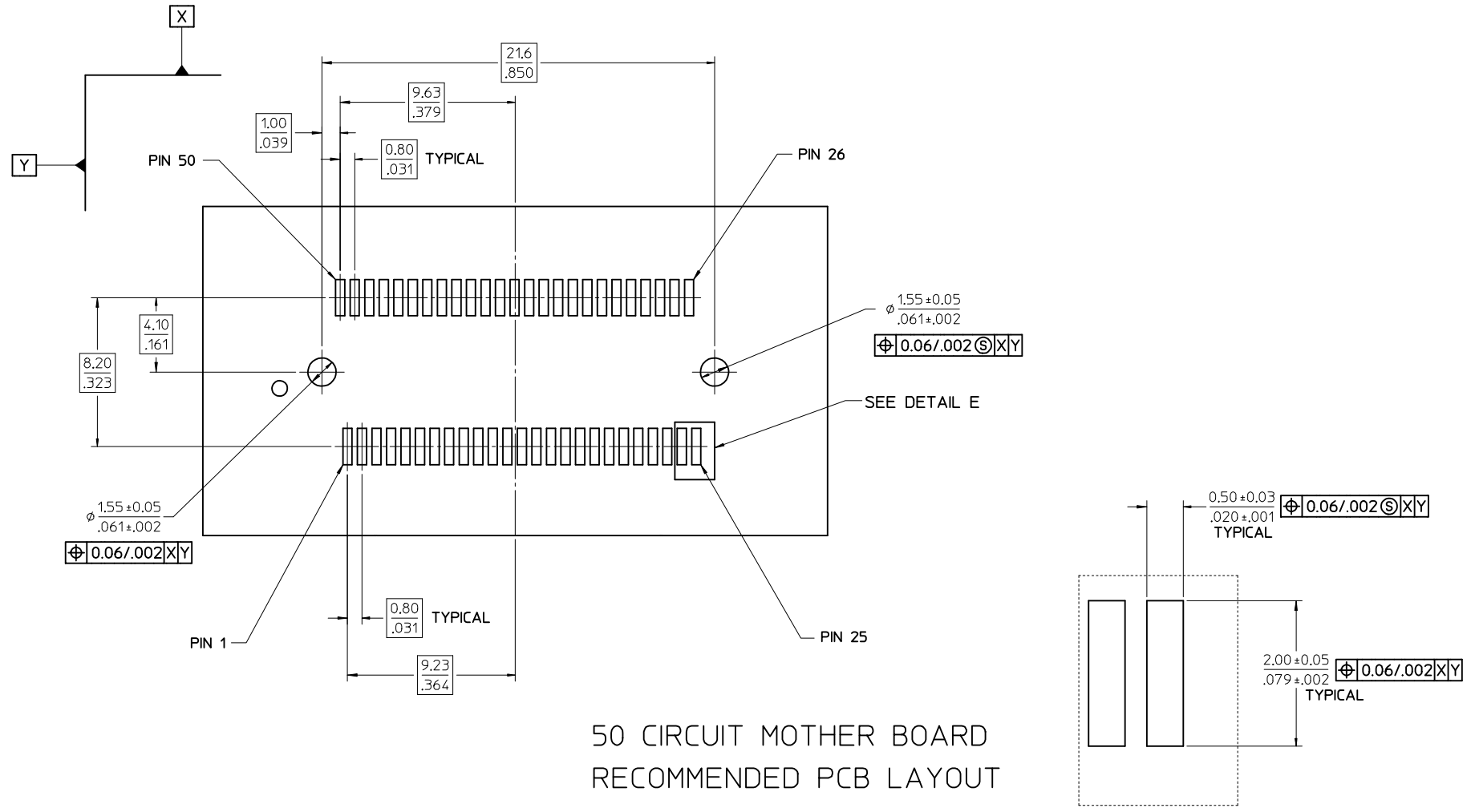
30 CIRCUIT MOTHER BOARD  
RECOMMENDED PCB LAYOUT

SEE SHEET 1 EC NO: UCP2016-4520 DRWNS:VANG01 2016/06/10 CHKD:BBARKER 2016/06/10 APPR:SMILLER 2016/07/25	QUALITY SYMBOLS	GENERAL TOLERANCES (UNLESS SPECIFIED)		DIMENSION STYLE	SCALE	DESIGN UNITS	THIRD ANGLE PROJECTION
	▽=0	mm	INCH	MM/IN	6:1	METRIC	☉
	▽=0	4 PLACES ± ---	± ---	DRAWN BY DATE	TITLE		
	▽=0	3 PLACES ± ---	± .005	HAVERY 00/04/06	SALES ASSEMBLY		
		2 PLACES ± 0.13	± .010	CHECKED BY DATE	Z AXIS PLUGGABLE		
		1 PLACE ± 0.25	± ---	MBANEY 00/04/06	PCB CONNECTOR		
		0 PLACE ±	±	APPROVED BY DATE	molex		
				MBANAK IS 00/04/06	SD-74441-001		
				MATERIAL NO.	DOCUMENT NO.	SHEET NO.	
				SEE TBL, SHT 1		4 OF 7	
				ANGULAR ±1/2°	THIS DRAWING CONTAINS INFORMATION THAT IS PROPRIETARY TO MOLEX INCORPORATED AND SHOULD NOT BE USED WITHOUT WRITTEN PERMISSION		
				DRAFT WHERE APPLICABLE MUST REMAIN WITHIN DIMENSIONS			

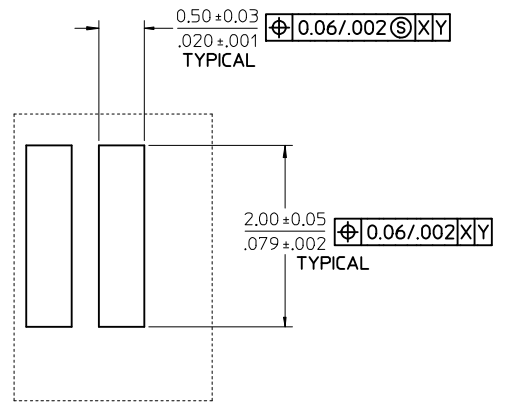


40 CIRCUIT MOTHER BOARD  
RECOMMENDED PCB LAYOUT

<b>SEE SHEET 1</b> EC NO: UCP2016-4520 DRWNS:VANG01 2016/06/10 CHKD:BBARKER 2016/06/10 APPR:SMILLER 2016/07/25 Y	QUALITY SYMBOLS ▽=0 ▽=0 ▽=0	GENERAL TOLERANCES (UNLESS SPECIFIED) <table border="1"> <thead> <tr> <th></th> <th>mm</th> <th>INCH</th> </tr> </thead> <tbody> <tr> <td>4 PLACES</td> <td>± .---</td> <td>± .---</td> </tr> <tr> <td>3 PLACES</td> <td>± .---</td> <td>± .005</td> </tr> <tr> <td>2 PLACES</td> <td>± 0.13</td> <td>± .010</td> </tr> <tr> <td>1 PLACE</td> <td>± 0.25</td> <td>± .---</td> </tr> <tr> <td>0 PLACE</td> <td>±</td> <td>±</td> </tr> </tbody> </table>		mm	INCH	4 PLACES	± .---	± .---	3 PLACES	± .---	± .005	2 PLACES	± 0.13	± .010	1 PLACE	± 0.25	± .---	0 PLACE	±	±	DIMENSION STYLE <b>MM/IN</b> DRAWN BY: HAVERY DATE: 00/04/06 CHECKED BY: KSWEENEY DATE: 00/04/06 APPROVED BY: MBANAKIS DATE: 00/04/06	SCALE <b>6:1</b> TITLE <b>SALES ASSEMBLY Z AXIS PLUGGABLE PCB CONNECTOR</b>	DESIGN UNITS <b>METRIC</b> 	SHEET NO. <b>5 OF 7</b>
		mm	INCH																					
	4 PLACES	± .---	± .---																					
	3 PLACES	± .---	± .005																					
2 PLACES	± 0.13	± .010																						
1 PLACE	± 0.25	± .---																						
0 PLACE	±	±																						
DRAFT WHERE APPLICABLE MUST REMAIN WITHIN DIMENSIONS		MATERIAL NO. <b>SEE TBL, SHT 1</b>	DOCUMENT NO. <b>SD-74441-001</b>		SHEET NO. <b>5 OF 7</b>																			
THIS DRAWING CONTAINS INFORMATION THAT IS PROPRIETARY TO MOLEX INCORPORATED AND SHOULD NOT BE USED WITHOUT WRITTEN PERMISSION																								

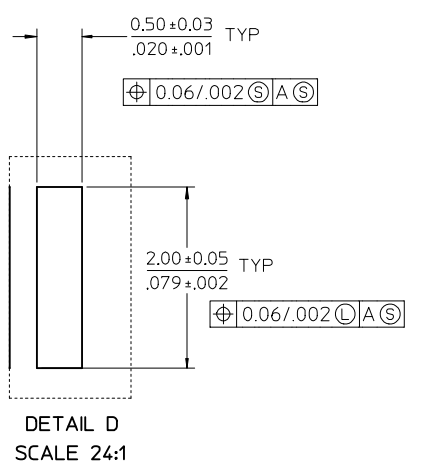
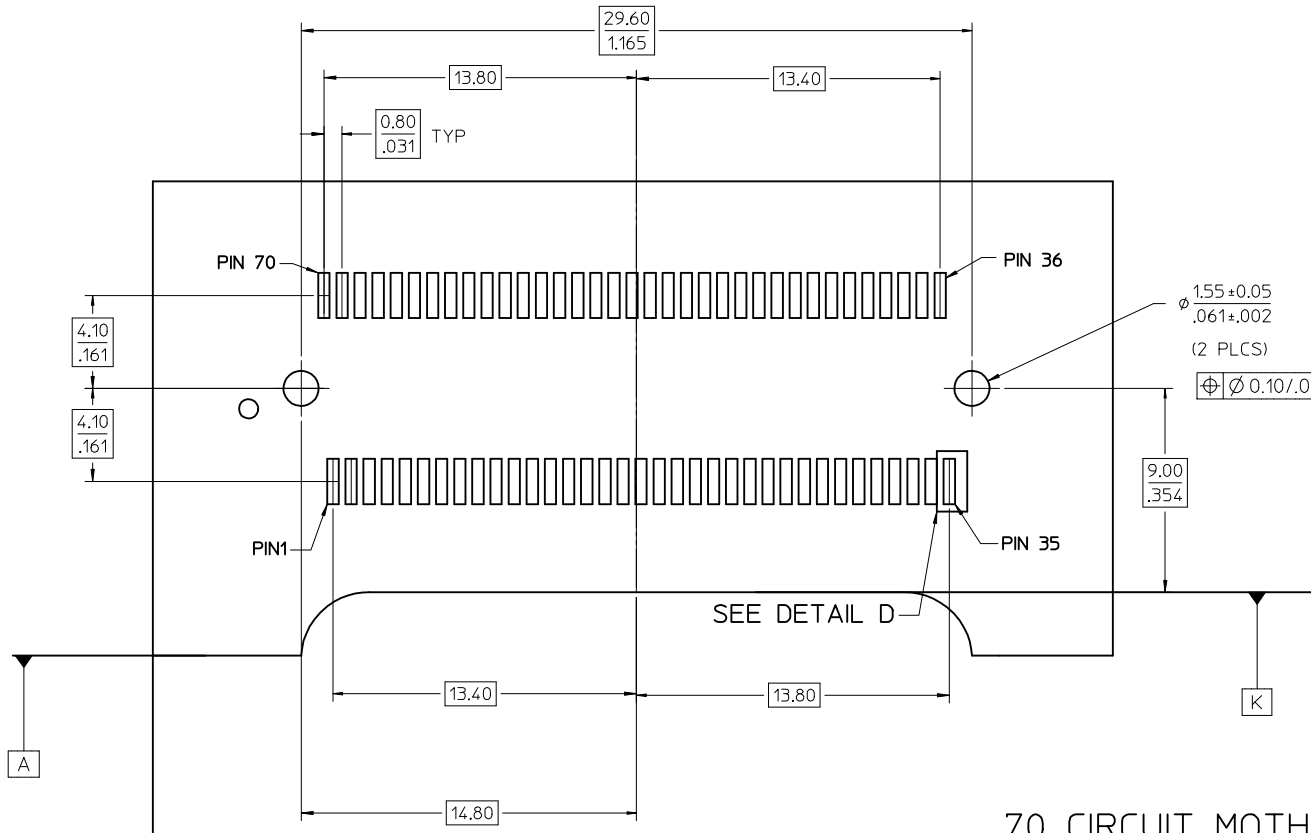


50 CIRCUIT MOTHER BOARD  
RECOMMENDED PCB LAYOUT



DETAIL E  
SCALE 24:1

<b>SEE SHEET 1</b> IEC NO: UCP2016-4520 DRWNS:VANG01 2016/06/10 CHKD:BBARKER 2016/06/10 APPR:SMILLER 2016/07/25	QUALITY SYMBOLS ▽=0 ▽=0 ▽=0	GENERAL TOLERANCES (UNLESS SPECIFIED) <table border="1"> <tr> <th></th> <th>mm</th> <th>INCH</th> </tr> <tr> <td>4 PLACES</td> <td>± .---</td> <td>± .---</td> </tr> <tr> <td>3 PLACES</td> <td>± .---</td> <td>± .005</td> </tr> <tr> <td>2 PLACES</td> <td>± 0.13</td> <td>± .010</td> </tr> <tr> <td>1 PLACE</td> <td>± 0.25</td> <td>± .---</td> </tr> <tr> <td>0 PLACE</td> <td>±</td> <td>±</td> </tr> </table>		mm	INCH	4 PLACES	± .---	± .---	3 PLACES	± .---	± .005	2 PLACES	± 0.13	± .010	1 PLACE	± 0.25	± .---	0 PLACE	±	±	DIMENSION STYLE <b>MM/IN</b> DRAWN BY: HAVERY DATE: 00/04/06 CHECKED BY: KSWEENEY DATE: 00/04/06 APPROVED BY: MBANAKIS DATE: 00/04/06	SCALE <b>6:1</b>	DESIGN UNITS <b>METRIC</b>	THIRD ANGLE PROJECTION
		mm	INCH																					
	4 PLACES	± .---	± .---																					
	3 PLACES	± .---	± .005																					
2 PLACES	± 0.13	± .010																						
1 PLACE	± 0.25	± .---																						
0 PLACE	±	±																						
DRAFT WHERE APPLICABLE MUST REMAIN WITHIN DIMENSIONS		MATERIAL NO. <b>SEE TBL, SHT 1</b>	DOCUMENT NO. <b>SD-74441-001</b>		SHEET NO. <b>6 OF 7</b>																			
THIS DRAWING CONTAINS INFORMATION THAT IS PROPRIETARY TO MOLEX INCORPORATED AND SHOULD NOT BE USED WITHOUT WRITTEN PERMISSION																								



70 CIRCUIT MOTHER BOARD  
RECOMMENDED PCB LAYOUT

SEE SHEET 1 EC NO: UCP2016-4520 2016/06/10 DRWNS:VANG01 2016/06/10 CHKD:BBARKER 2016/07/25 APPR:SMILLER 2016/07/25	QUALITY SYMBOLS	GENERAL TOLERANCES (UNLESS SPECIFIED)	DIMENSION STYLE	SCALE	DESIGN UNITS	THIRD ANGLE PROJECTION																		
	$\nabla = \emptyset$ $\nabla = \emptyset$ $\nabla = \emptyset$	<table border="1"> <thead> <tr> <th></th> <th>mm</th> <th>INCH</th> </tr> </thead> <tbody> <tr> <td>4 PLACES</td> <td>± ---</td> <td>± ---</td> </tr> <tr> <td>3 PLACES</td> <td>± ---</td> <td>± .005</td> </tr> <tr> <td>2 PLACES</td> <td>± 0.13</td> <td>± .010</td> </tr> <tr> <td>1 PLACE</td> <td>± 0.25</td> <td>± ---</td> </tr> <tr> <td>0 PLACE</td> <td>±</td> <td>±</td> </tr> </tbody> </table>		mm	INCH	4 PLACES	± ---	± ---	3 PLACES	± ---	± .005	2 PLACES	± 0.13	± .010	1 PLACE	± 0.25	± ---	0 PLACE	±	±	MM/IN	6:1	METRIC	
		mm	INCH																					
	4 PLACES	± ---	± ---																					
3 PLACES	± ---	± .005																						
2 PLACES	± 0.13	± .010																						
1 PLACE	± 0.25	± ---																						
0 PLACE	±	±																						
DESCRIPTION	ANGULAR ±1/2°	DRAWN BY	DATE	TITLE																				
REV	DRAFT WHERE APPLICABLE MUST REMAIN WITHIN DIMENSIONS	HAVERY	00/04/06	SALES ASSEMBLY Z AXIS PLUGGABLE PCB CONNECTOR																				
		CHECKED BY	DATE	<b>molex</b>																				
		APPROVED BY	DATE	DOCUMENT NO.	SHEET NO.																			
		MBANAKIS	00/04/06	SD-74441-001	7 OF 7																			
		MATERIAL NO.	SEE TBL, SHT 1	THIS DRAWING CONTAINS INFORMATION THAT IS PROPRIETARY TO MOLEX INCORPORATED AND SHOULD NOT BE USED WITHOUT WRITTEN PERMISSION																				